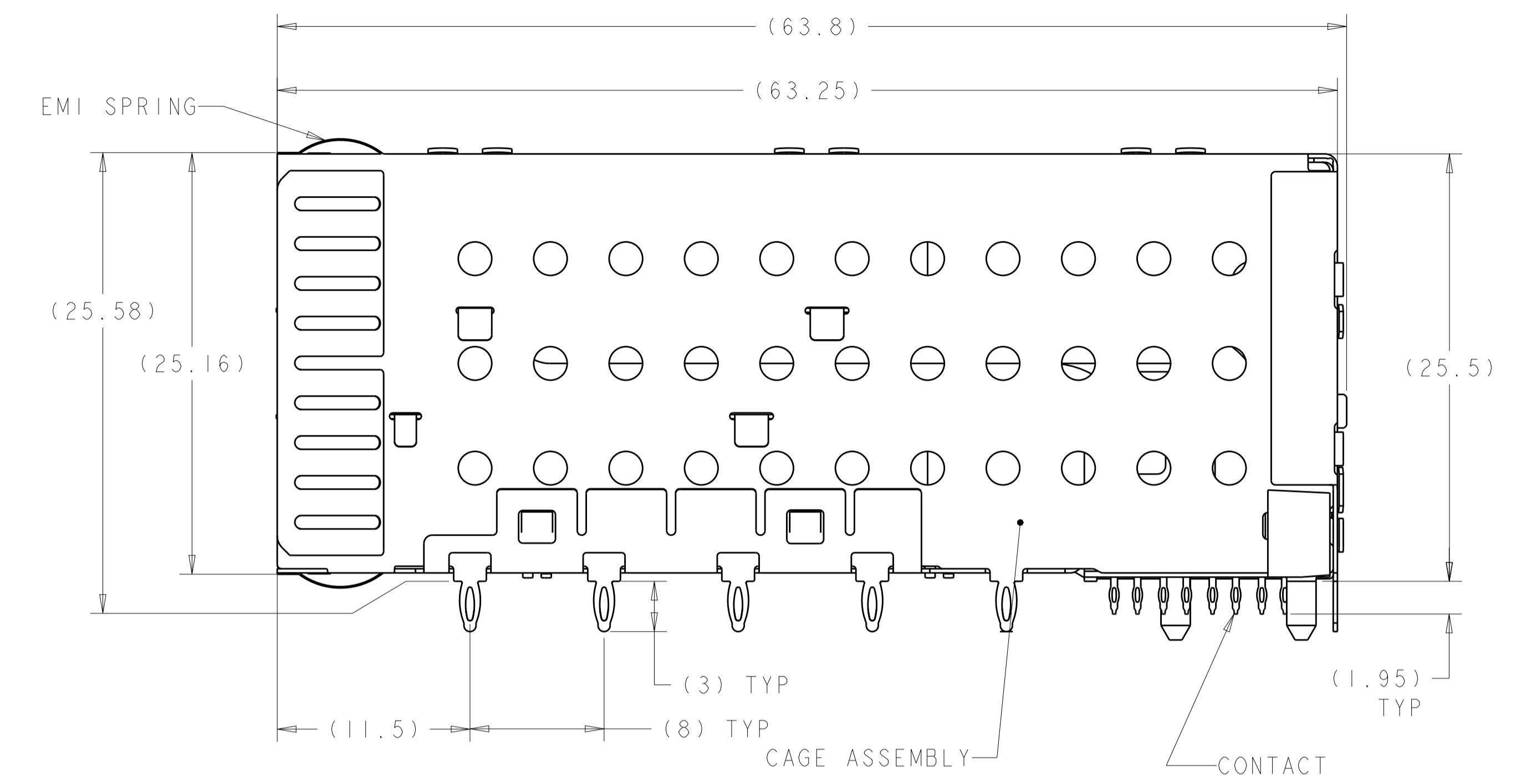
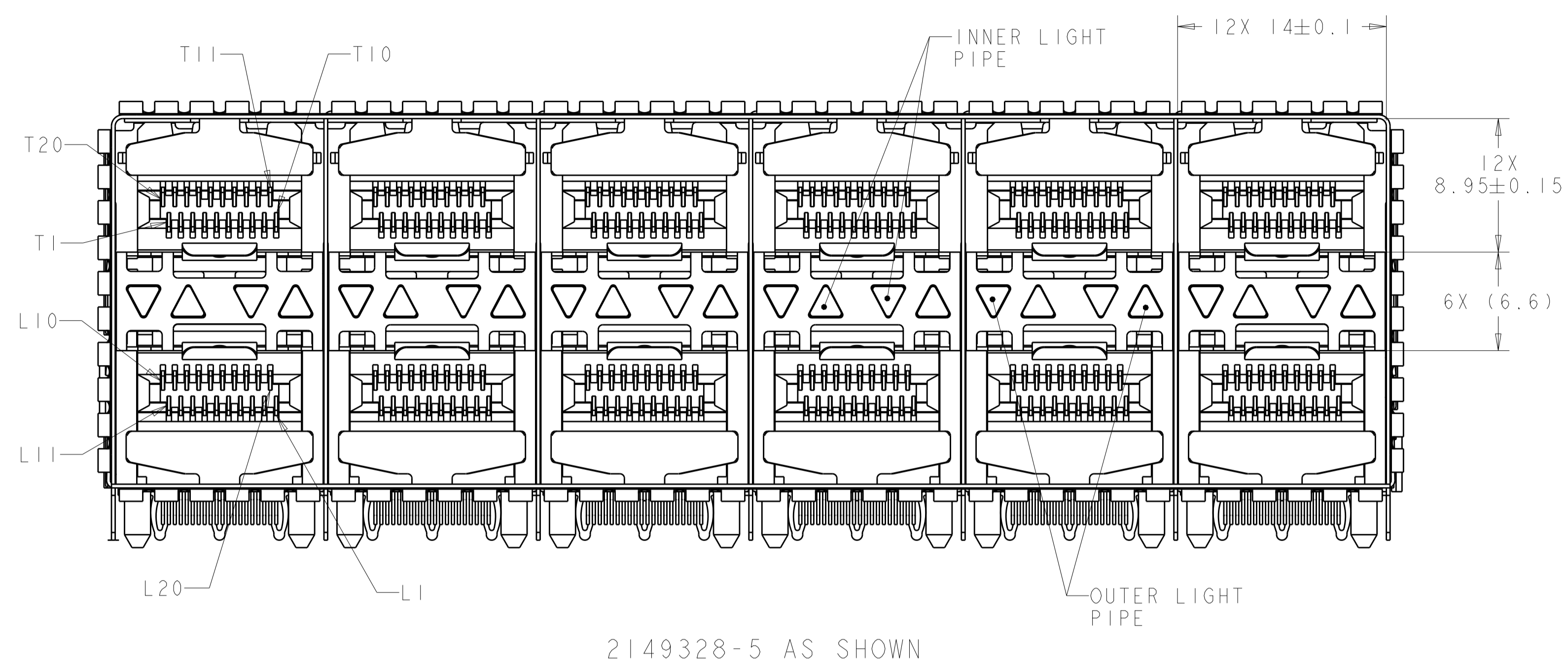
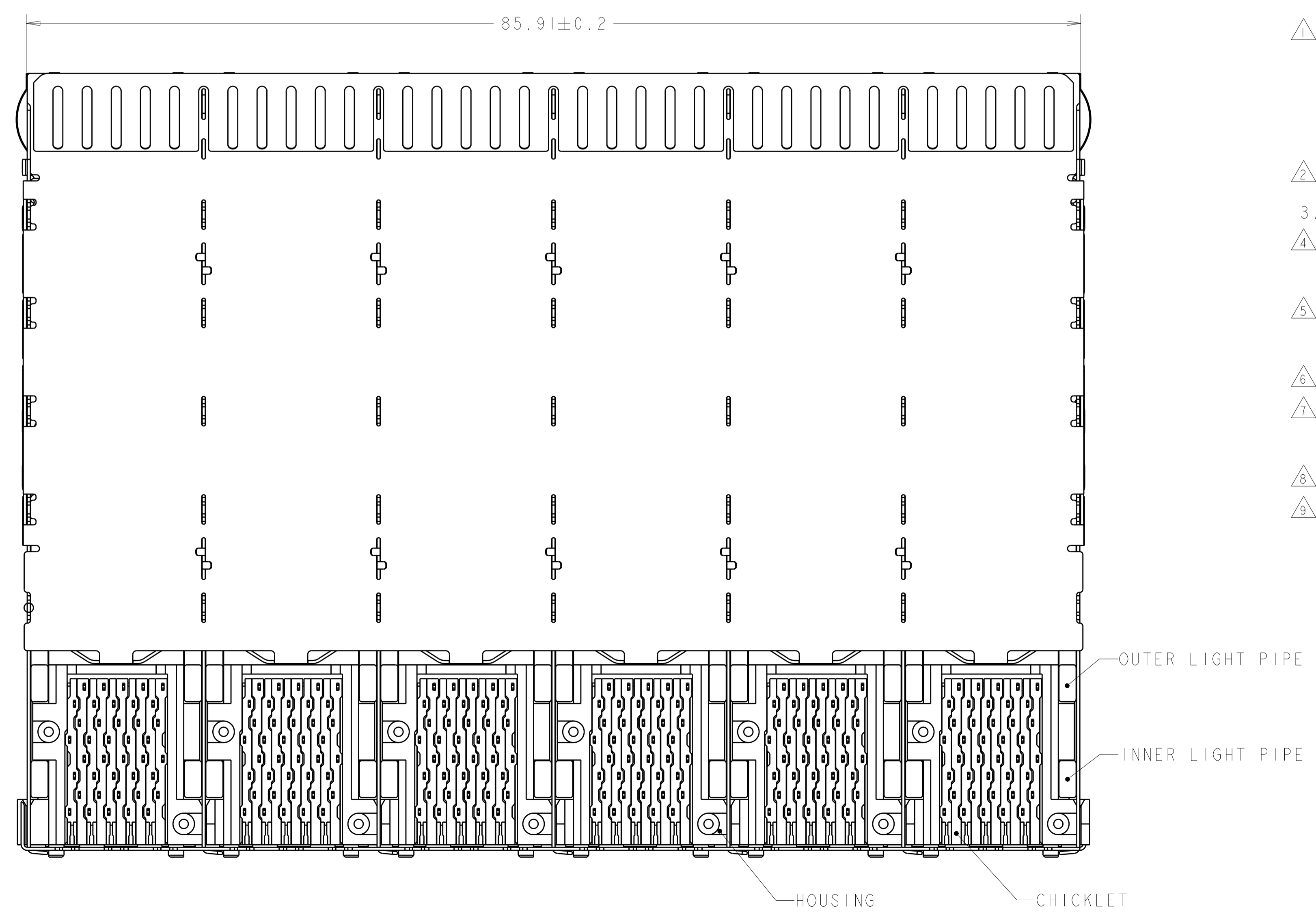


LOC		DIST		REVISIONS			
P	LTN	DESCRIPTION	DATE	DWN	APVD		
A		RELEASED	06JAN2012	CJV	PAR		
B		REVISED PER ECO-15-017919	04APL2016	AP	PR		



- △ MATERIALS:  
 CAGE ASSEMBLY- NICKEL SILVER ALLOY PER ASTM B 122.  
 EMI SPRING- COPPER ALLOY.  
 HOUSING- BLACK LCP, UL 94V-0 RATED.  
 CHICKLET- BLACK LCP, UL 94V-0 RATED.  
 LIGHT PIPE- POLYCARBONATE, CLEAR, UL 94V-2 RATED.  
 CONTACT- COPPER ALLOY.
- △ DATUM AND BASIC DIMENSIONS ESTABLISHED BY CUSTOMER.
- 3. MINIMUM PCB THICKNESS OF 1.5.
- △ CONTACT FINISH- CONFORMS TO THE REQUIREMENTS OF TE PRODUCT SPECIFICATION 108-2331, BASED ON EIA/ECA-364-1000.01A, (CONTROLLED ENVIRONMENT APPLICATIONS) ON MATING INTERFACE, TIN-LEAD ON NEEDLE EYE.
- △ CONTACT FINISH- CONFORMS TO THE REQUIREMENTS OF TE PRODUCT SPECIFICATION 108-2331, BASED ON EIA/ECA-364-1000.01A, (CONTROLLED ENVIRONMENT APPLICATIONS) ON MATING INTERFACE, TIN ON NEEDLE EYE.
- △ FOR HOLE SIZE AND PLATINGS, SEE APPLICATION SPEC 114-13219.
- △ THE ENTIRE AREA OF THE CONNECTOR FOOTPRINT, INDICATED BY THE DASHED LINE, TO BE CONSIDERED THE KEEPOUT AREA FOR COMPONENTS AND SIGNAL TRACES, TOP SIDE ONLY. TOP SIDE TRACES ALLOWED WITHIN CONNECTOR HOLE PATTERN.
- △ LIGHT PIPE PAD LAYOUT IS FOR 0805 LOW PROFILE LED PACKAGE WITH A HEIGHT OF 0.8mm.
- △ EMI SPRING FINISH: 0.8µm MINIMUM MATTE TIN OVER 0.8µm MINIMUM NICKEL, NONPLATED EDGES PERMISSIBLE.



FINISH	DESCRIPTION	PART NUMBER
△5	NO LIGHT PIPES	2149328-8
	OUTER 2 LIGHT PIPES	2149328-7
	INNER 2 LIGHT PIPES	2149328-6
SUPERSEDED	4 LIGHT PIPES	2149328-5
	NO LIGHT LIGHT PIPES	2149328-4
	OUTER 2 LIGHT PIPES	2149328-3
	INNER 2 LIGHT PIPES	2149328-2
△4	4 LIGHT PIPES	2149328-1

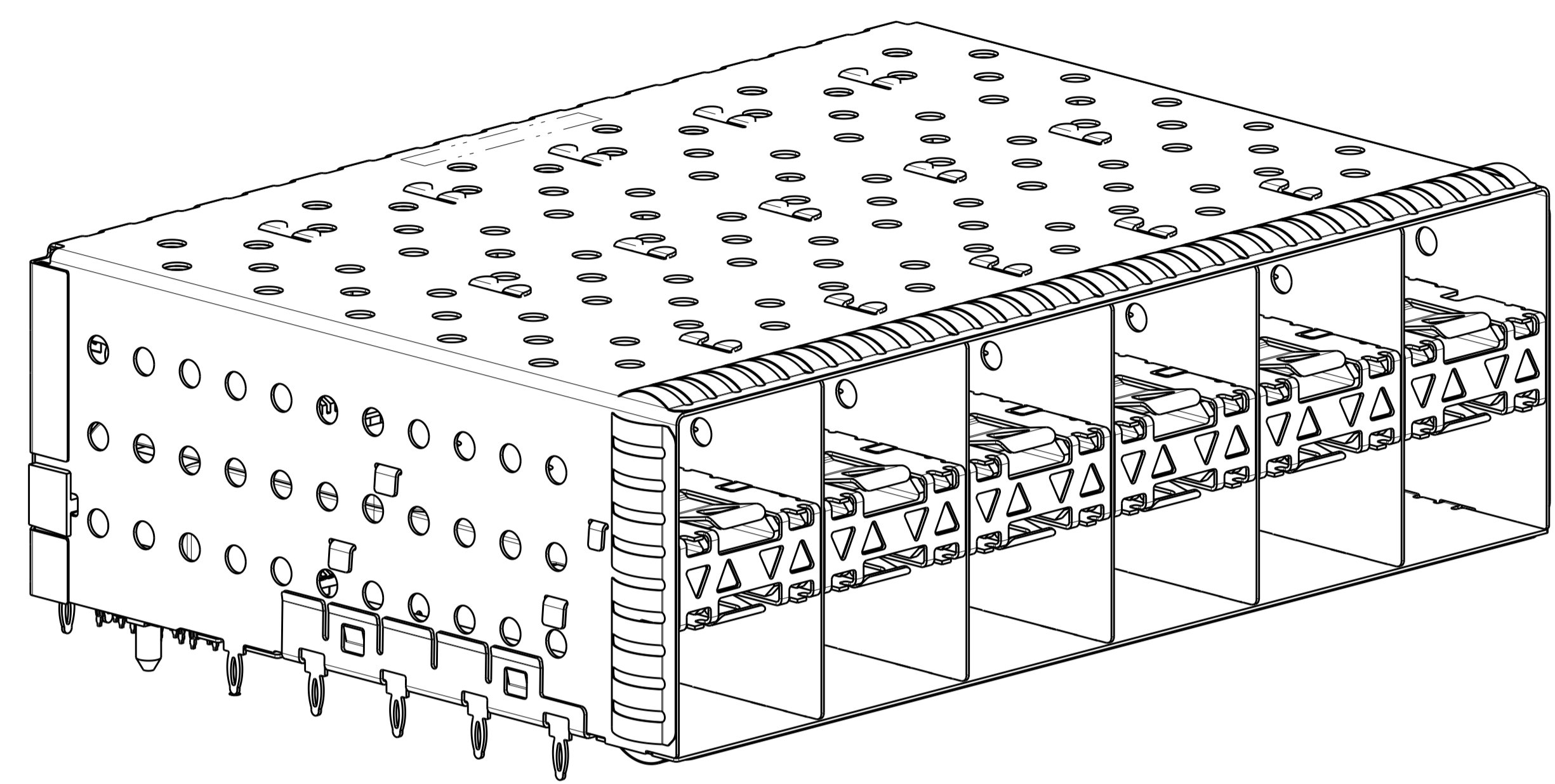
THIS DRAWING IS A CONTROLLED DOCUMENT. DIMENSIONING AND TOLERANCING PER ASME Y14.5M-2009.

STE TE Connectivity

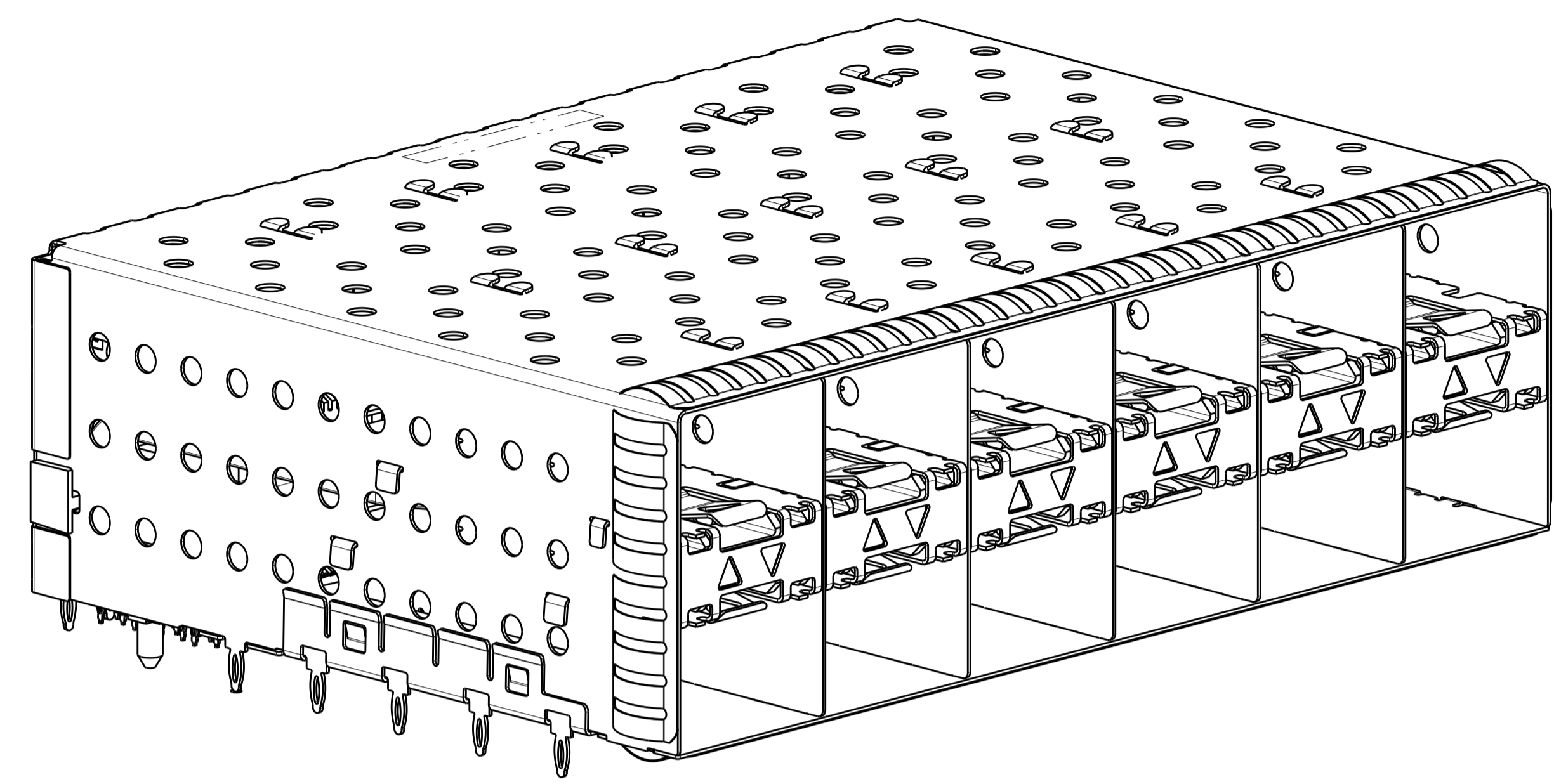
CAGE AND PT CONNECTOR ASSEMBLY, WITH EMI SPRINGS, PRESS FIT, 2X6, STACKED SFP+

SCALE: 4:1 SHEET 1 OF 4 REV B

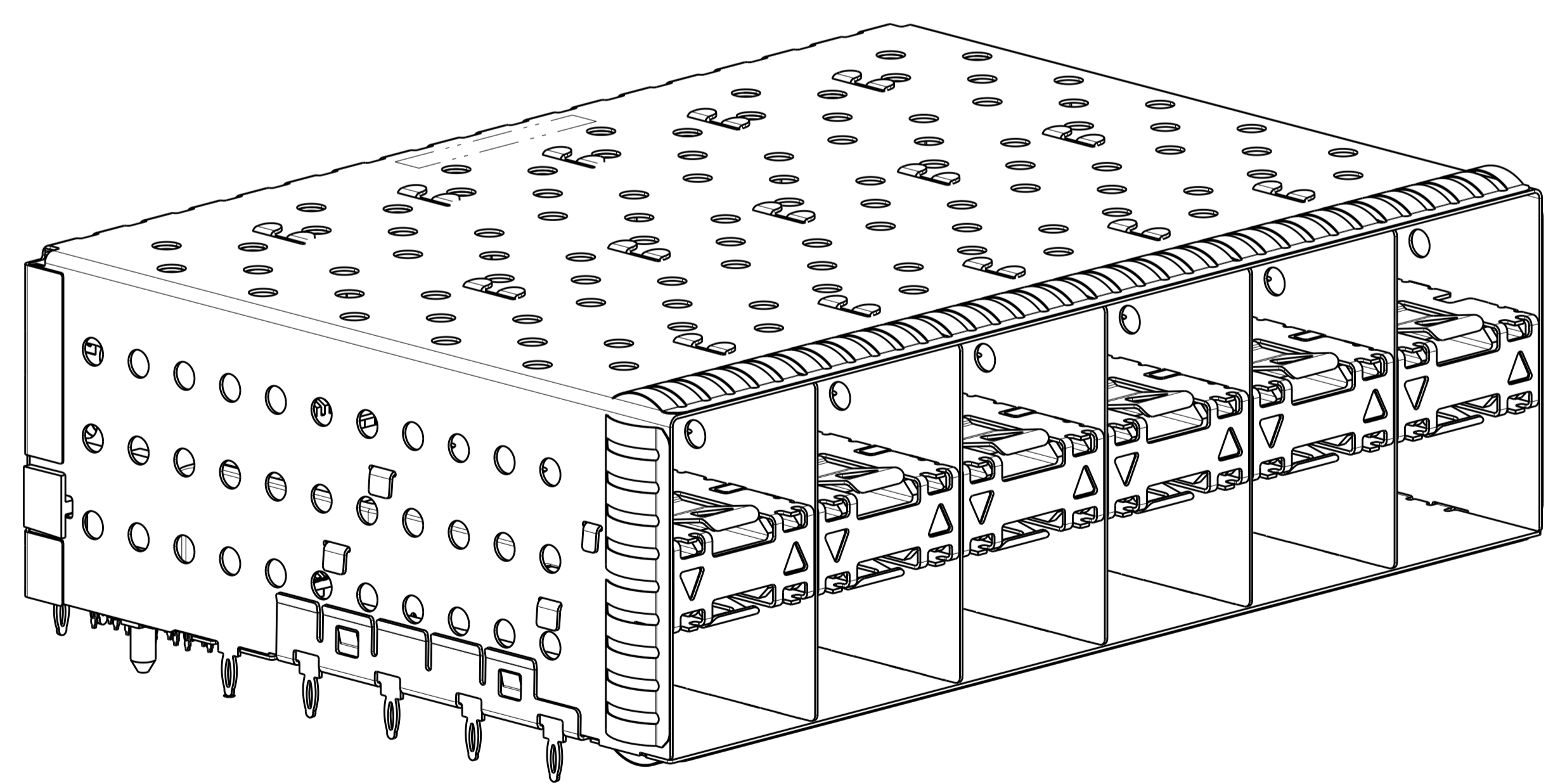
LOC	DIST	REVISIONS			
P	LYR	DESCRIPTION	DATE	DMN	APVD
GP	00	SEE SHEET 1			



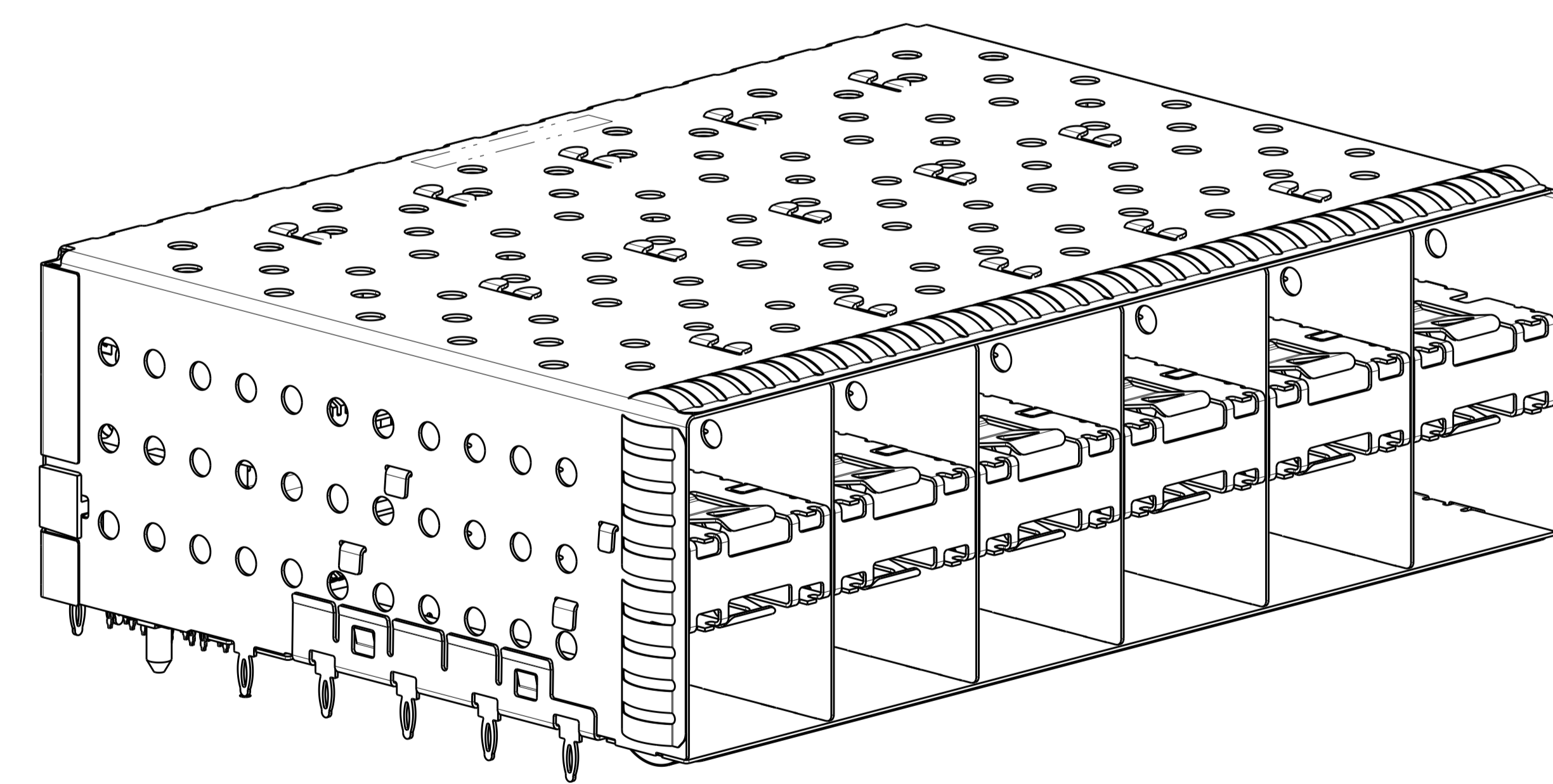
2149328-5  
SCALE 3:1



2149328-6  
SCALE 3:1



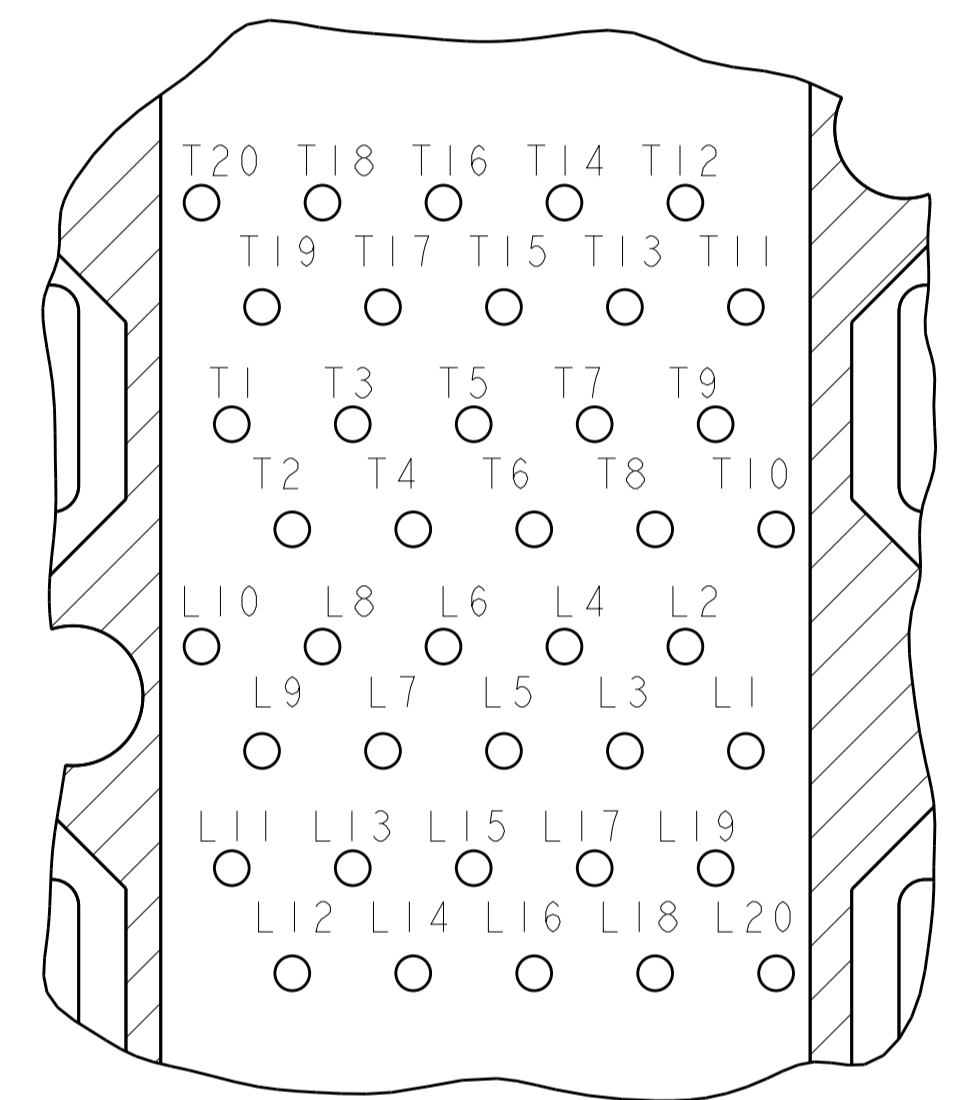
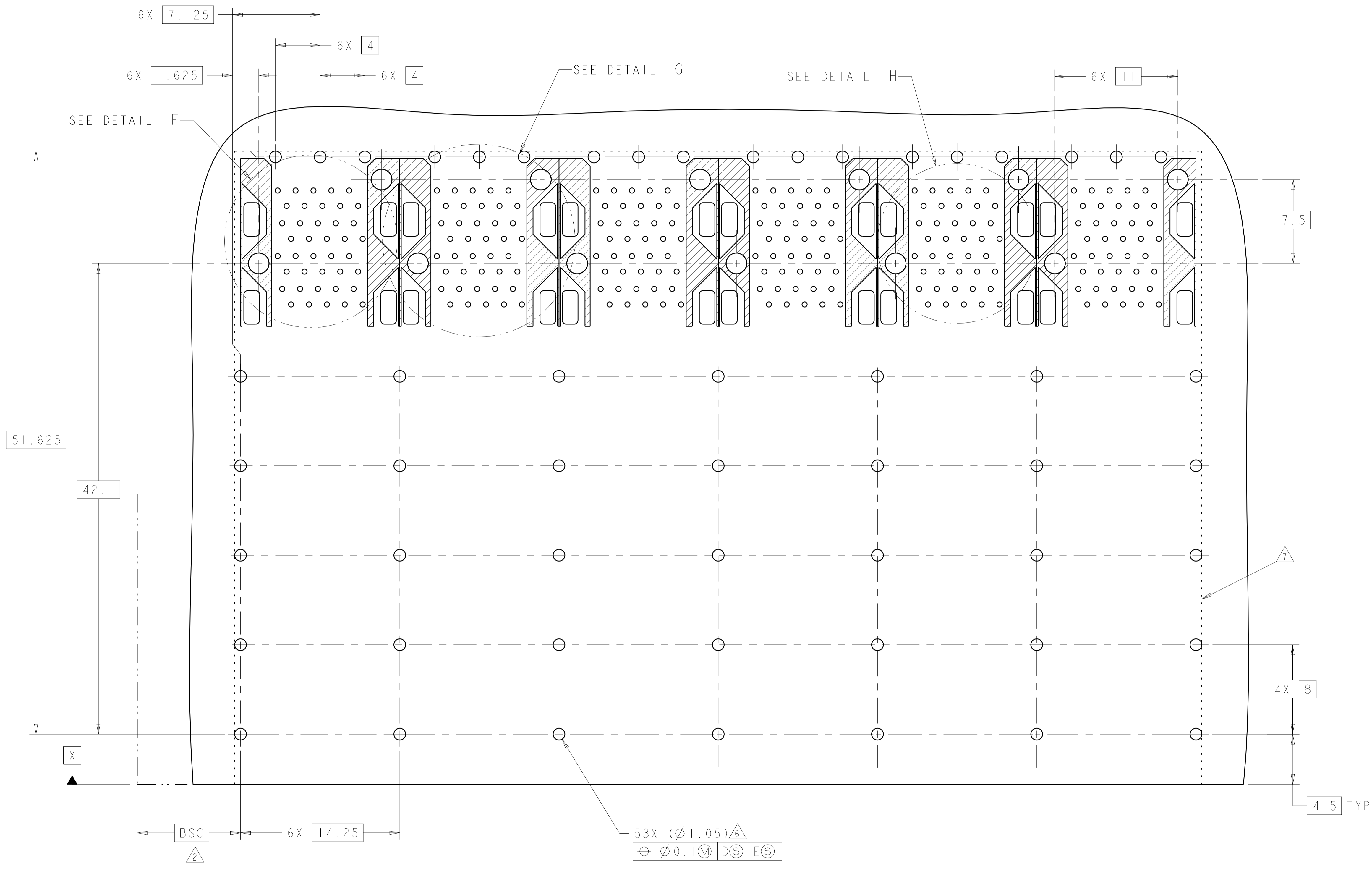
2149328-7  
SCALE 3:1



2149328-8  
SCALE 3:1

THIS DRAWING IS A CONTROLLED DOCUMENT. DIMENSIONING AND TOLERANCING PER ASME Y14.3M-2009		DMN: C. VALENTINE 02DEC2010 CHK: P. RECCE 02DEC2010 APVD: P. RECCE 02DEC2010	TE Connectivity
DIMENSIONS: mm	TOLERANCES UNLESS OTHERWISE SPECIFIED: 0 PLC ±0.10 1 PLC ±0.10 2 PLC ±0.10 3 PLC ±0.10 4 PLC ±0.10 ANGLES ±°	NAME: CAGE AND PT CONNECTOR ASSEMBLY, WITH EMI SPRINGS, PRESS FIT, 2X6, STACKED SFP+ PRODUCT SPEC: 108-2331 APPLICATION SPEC: 114-13219	
MATERIAL:	FINISH:	WEIGHT:	CUSTOMER DRAWING SCALE: 4:1 SHEET: 2 OF 4 REV: B

LOC	DIST	REVISIONS					
GP	00	P	LTN	DESCRIPTION	DATE	DWN	APVD
		-		SEE SHEET 1			



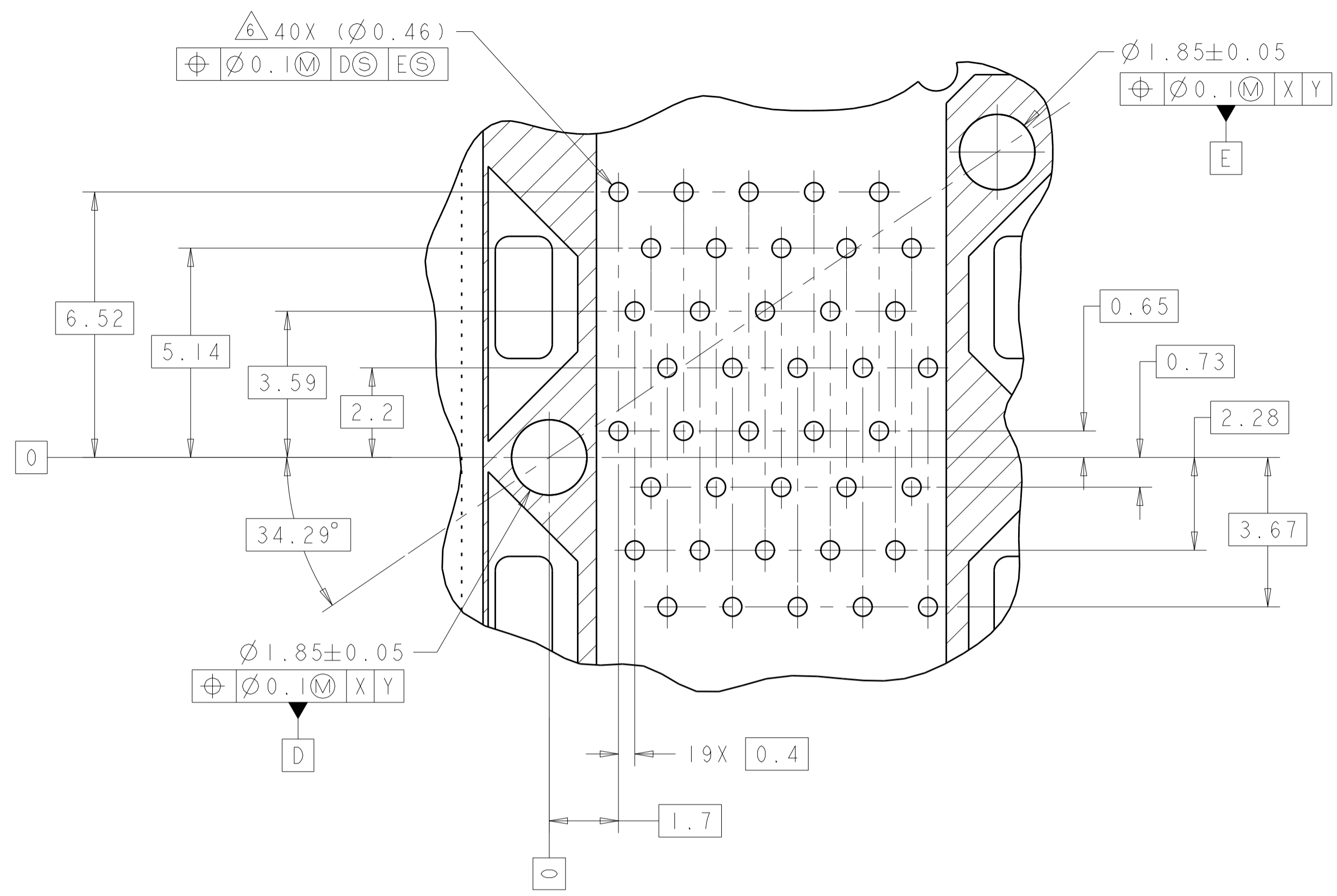
DETAIL H  
 CONNECTOR PIN-OUT  
 COMPONENT SIDE OF BOARD  
 6X INDIVIDUALLY  
 SCALE 10:1

RECOMMENDED PCB LAYOUT  
 COMPONENT SIDE OF BOARD  
 SCALE 5:1

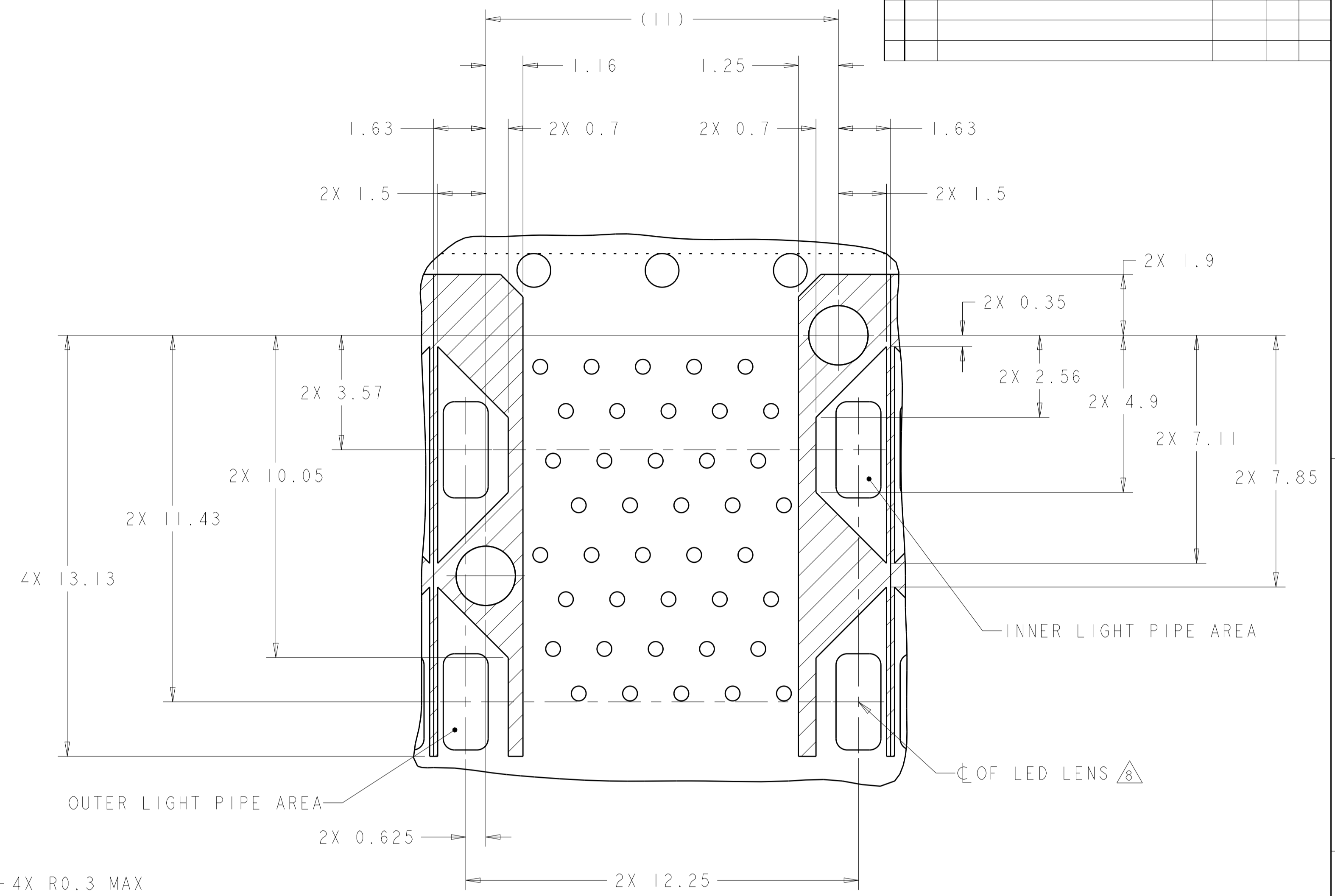
THIS DRAWING IS A CONTROLLED DOCUMENT. DIMENSIONING AND TOLERANCING PER ASME Y14.5M-2009.		DWN C. VALENTINE 02DEC2010	TE Connectivity NAME CAGE AND PT CONNECTOR ASSEMBLY, WITH EMI SPRINGS, PRESS FIT, 2X6, STACKED SFP+
DIMENSIONS: mm		CHK P. RECCE 02DEC2010	
TOLERANCES UNLESS OTHERWISE SPECIFIED:		APVD P. RECCE 02DEC2010	PRODUCT SPEC
0 PLC ±0.10		1 PLC ±0.10	108-2331
2 PLC ±0.10		3 PLC ±0.10	APPLICATION SPEC
4 PLC ±0.10		ANGLES ±°	114-13219
MATERIAL		FINISH	WEIGHT
-		-	-
CUSTOMER DRAWING		SCALE 4:1	SHEET 3 OF 4

LOC	DIST	REV	DATE	BY	APPD
GP	00				

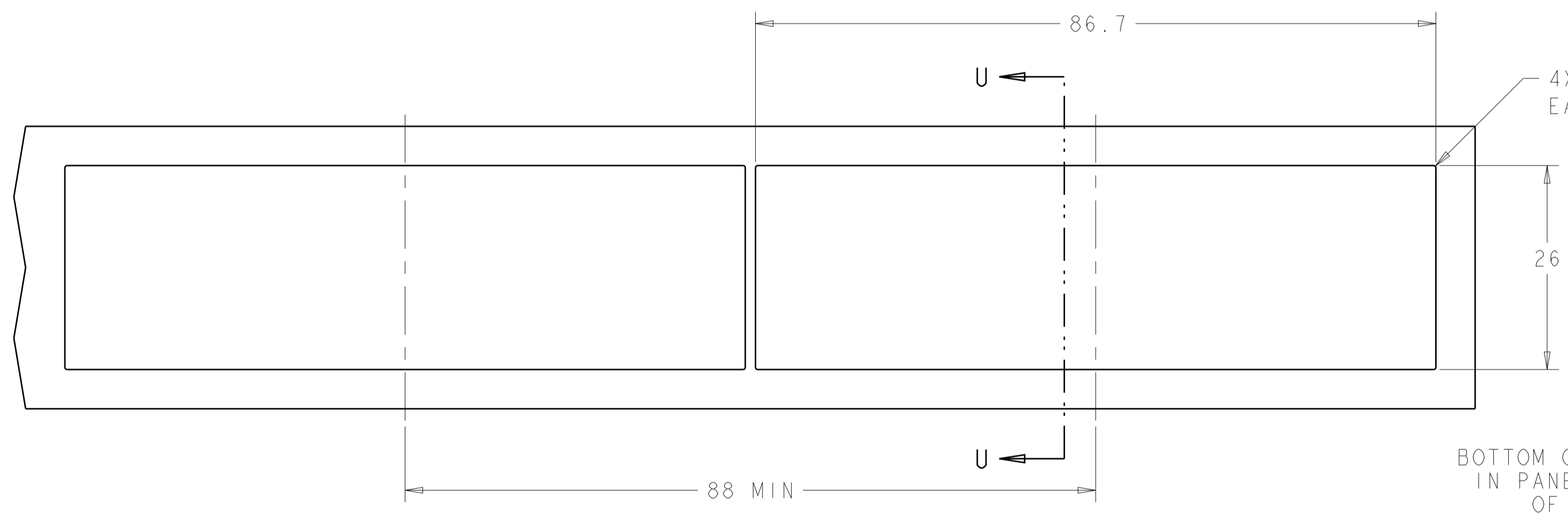
REVISIONS		
REV	DESCRIPTION	DATE
-	SEE SHEET 1	-



DETAIL F  
6X INDIVIDUALLY  
SCALE 10:1

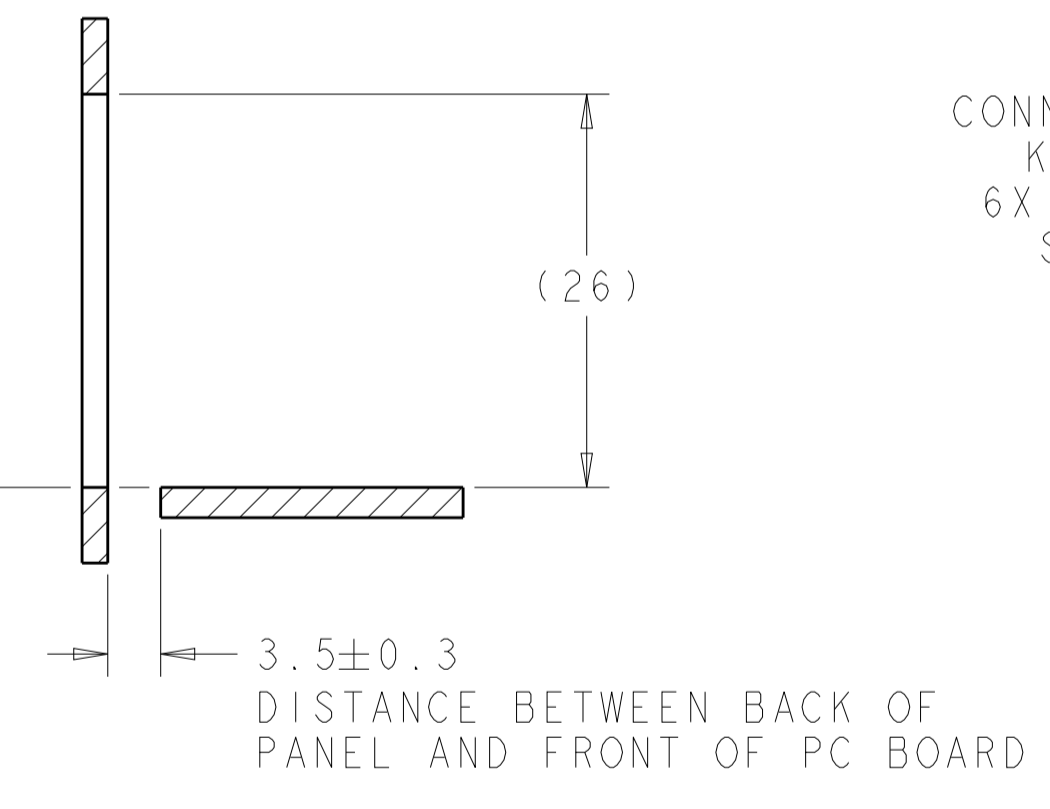


DETAIL G  
CONNECTOR HOUSING  
KEEPOUT ZONE  
6X INDIVIDUALLY  
SCALE 10:1

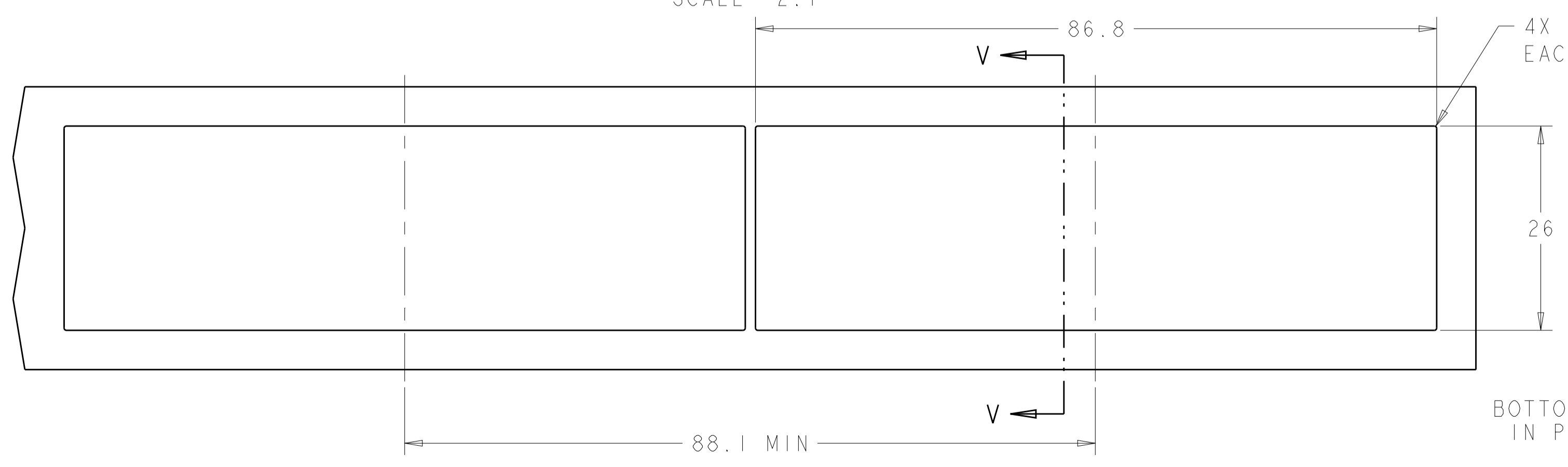


RECOMMENDED PANEL CUTOUT  
AND PC BOARD, PANEL POSITION  
SCALE 2:1

0±0.1  
BOTTOM OF CUTOUT  
IN PANEL TO TOP  
OF PC BOARD

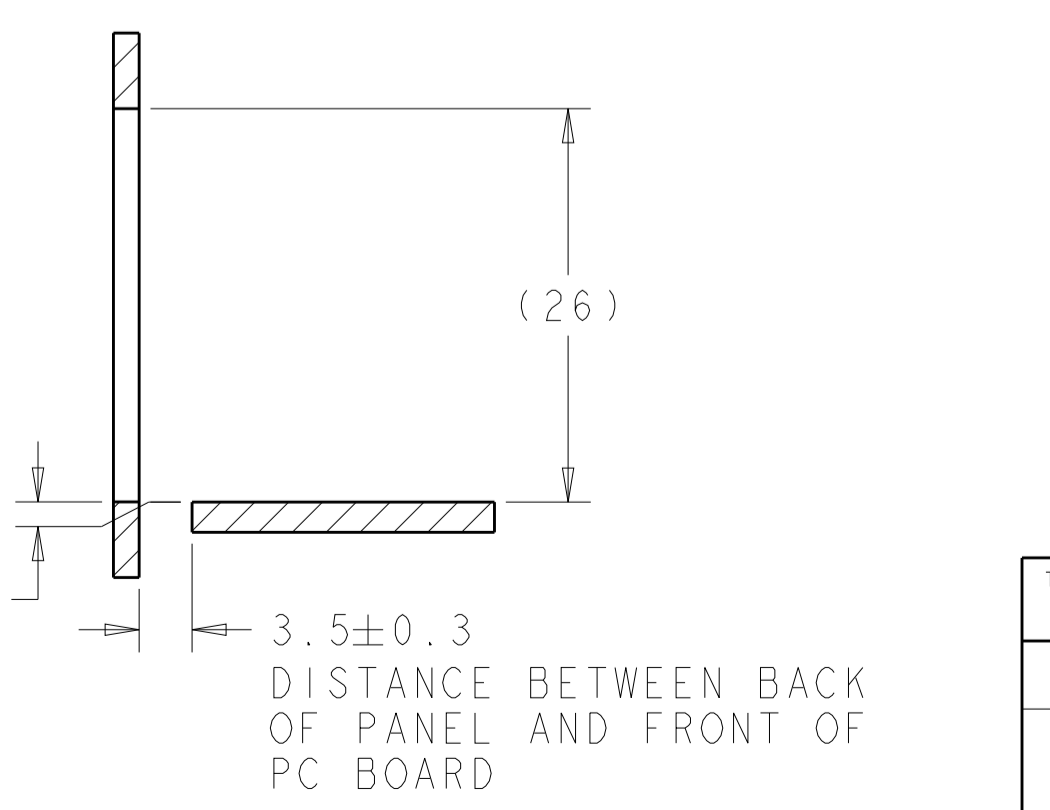


SECTION U-U



ALTERNATE PANEL CUTOUT  
AND PC BOARD, PANEL POSITION  
SCALE 2:1

0.01±0.1  
BOTTOM OF CUTOUT  
IN PANEL TO TOP  
OF PC BOARD



SECTION V-V

THIS DRAWING IS A CONTROLLED DOCUMENT. DIMENSIONING AND TOLERANCING PER ASME Y14.5M-2009.		DWN: C. VALENTINE 02DEC2010 CHK: P. RECCE 02DEC2010 APPD: P. RECCE 02DEC2010	TE Connectivity NAME: CAGE AND PT CONNECTOR ASSEMBLY, WITH EMI SPRINGS, PRESS FIT, 2X6, STACKED SFP+ SIZE: CAGE CODE DRAWING NO. RESTRICTED TO A100779C=2149328 SCALE: 4:1 SHEET 4 OF 4 REV B	
DIMENSIONS: mm	TOLERANCES UNLESS OTHERWISE SPECIFIED:	PRODUCT SPEC: 108-2331	APPLICATION SPEC: 114-13219	WEIGHT: -
0 PLC ±0.10	1 PLC ±0.10			
2 PLC ±0.10	3 PLC ±0.10			
4 PLC ±0.10	ANGLES ±°			
MATERIAL: -	FINISH: -	CUSTOMER DRAWING		

单击下面可查看定价，库存，交付和生命周期等信息

[>>TE Connectivity\(泰科\)](#)