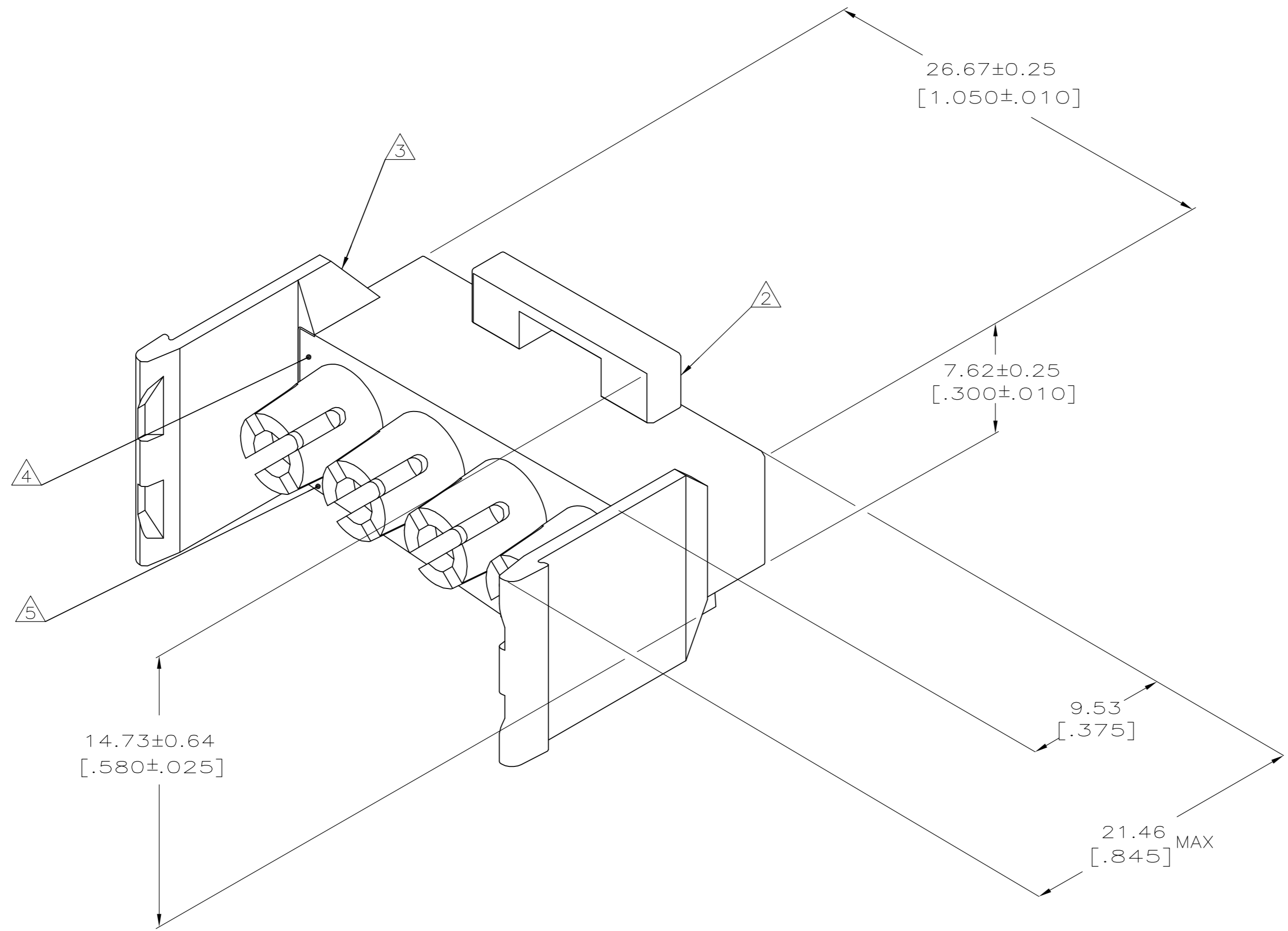


REVISIONS				
P	LTR	DESCRIPTION	DATE	DWN / APVD
D1		ECO-17-009556	03JUL2017	SW / RS



- MUST BE ASSEMBLED WITH CAP FRONT P/N 770049-1 BEFORE MATING. KIT P/N IS 770026-1.
- AMP LOGO LOCATED THIS SURFACE.
- UL AND CSA LOGOS LOCATED THIS SURFACE.
- CIRCUIT NO. 1 IDENTIFICATION BUTTON LOCATED APPROXIMATELY AS SHOWN FARSIDE.
- LOCATION OF CIRCUIT NUMBERS MOVE BUT WILL REMAIN ADJACENT TO APPROPRIATE CAVITY (LOCATED FARSIDE).
- DIMENSIONS SHOWN REPRESENT PRODUCT IN DRY, AS MOLDED, CONDITION. ADDITIONAL 2% GROWTH DUE TO SUBSEQUENT MOISTURE ABSORPTION MAY OCCUR AND SHOULD BE ACCOUNTED FOR.

770050-1  
PART NUMBER

METRIC

THIS DRAWING IS A CONTROLLED DOCUMENT.		DWN K. SALMON 1-15-92	TE Connectivity	
DIMENSIONS: INCHES		CHK R. SWING 1-15-92	NAME CAP REAR, 4 CIRCUIT, UNIVERSAL MATE-N-LOK	
TOLERANCES UNLESS OTHERWISE SPECIFIED:		APVD -	PRODUCT SPEC -	
0 PLC ± -		APPLICATION SPEC -	RESTRICTED TO -	
1 PLC ± -		SIZE A1	CAGE CODE 00779	DRAWING NO 770050
2 PLC ± -		WEIGHT 0.000000	SCALE 5:1	SHEET 1 of 1
3 PLC ± 0.13 [.005]		CUSTOMER DRAWING	REV D1	
4 PLC ± -				
ANGLES ± ± -				
MATERIAL NYLON,UL94V-0,				
FINISH -				

单击下面可查看定价，库存，交付和生命周期等信息

[>>TE Connectivity\(泰科\)](#)