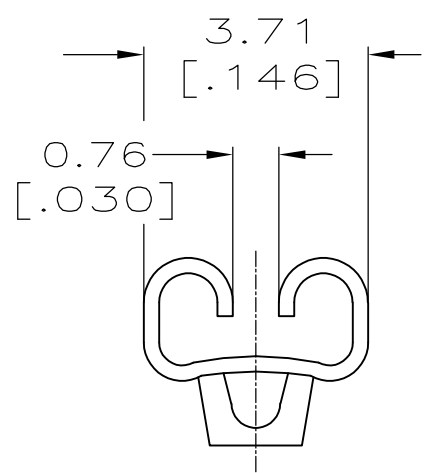
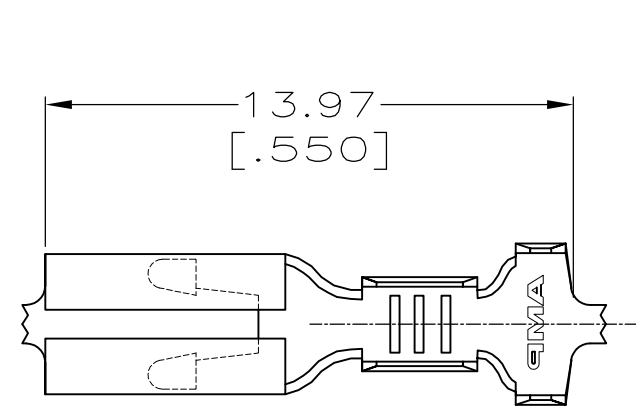


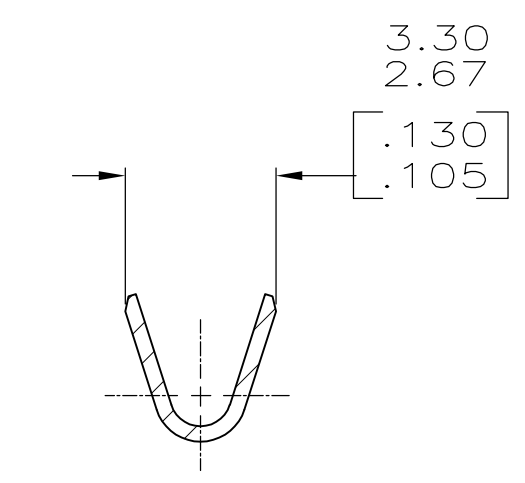
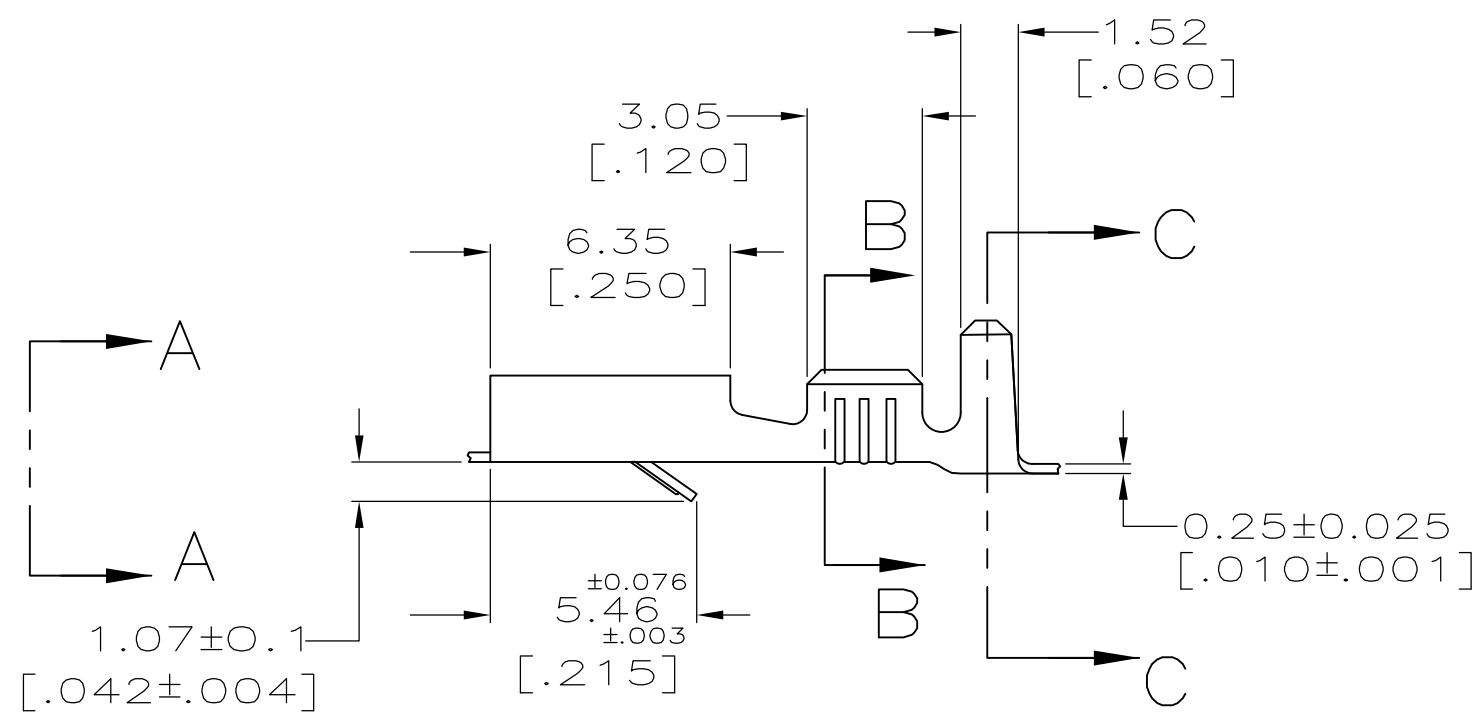
THIS DRAWING IS UNPUBLISHED. RELEASED FOR PUBLICATION  
 © COPYRIGHT - By - ALL RIGHTS RESERVED.

LOC	DIST	REVISIONS			
P	LTR	DESCRIPTION	DATE	DWN	APVD
AF	50	P	REVISED PER ECR-13-005733	28AUG2013	KH PD

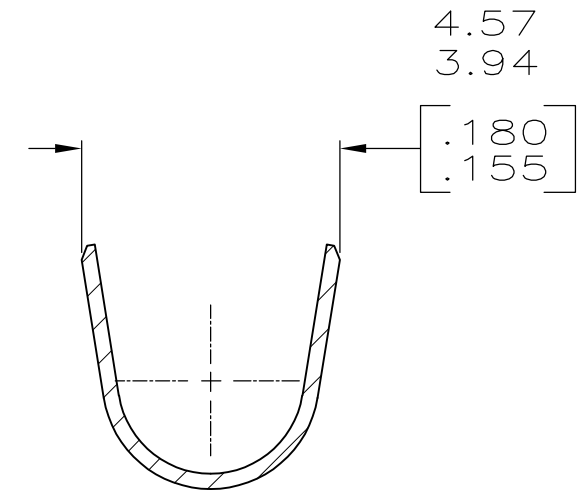


VIEW A-A  
SCALE 8:1

- 1 CONTINUOUS STRIP ON REELS.
- 2 MATING TAB THK TO BE 0.81±0.025 [.032±.001]
- 3 WIRE SIZE IS [#20-#16] AWG.
- 4 INSULATION RANGE IS 2.03-3.05 [.080-.120] DIA.
- △5 0.002032 [.000080] MIN TIN.
- △6 0.003810 [.000150] MIN SILVER
- △8 PRELIMINARY - NOT FOR PRODUCTION



SECTION B-B  
SCALE 8:1



SECTION C-C  
SCALE 8:1

	PRE-TIN BRASS	62572-6
	BRASS-SILVER	△6 △8 62572-5
OBSOLETE	H04 BRASS - TIN	△5 62572-4
	T3 PHOS BRONZE - NONE	62572-2
	BRASS - NONE	62572-1
	MATERIAL - FINISH	PART NO.

THIS DRAWING IS A CONTROLLED DOCUMENT.		DWN	JR RUTH	13AUG99	<b>TE Connectivity</b>								
DIMENSIONS: mm [INCHES]		CHK	MS FEHER	13AUG99				RECEPTACLE, FASTIN-FASTON, 2.79 [.110] SERIES					
TOLERANCES UNLESS OTHERWISE SPECIFIED:		APVD	J GILLESPIE	13AUG99							NAME PRODUCT SPEC APPLICATION SPEC 114-2065		
0 PLC ± - 1 PLC ± - 2 PLC ± 0.38 [.015] 3 PLC ± - 4 PLC ± - ANGLES ± -		MATERIAL						SIZE	CAGE CODE	DRAWING NO			
SEE TABLE		FINISH			SEE TABLE			WEIGHT	-	A3	00779	C-62572	-
CUSTOMER DRAWING					SCALE	5:1	SHEET	1 OF 1	REV	P			

单击下面可查看定价，库存，交付和生命周期等信息

[>>TE Connectivity\(泰科\)](#)