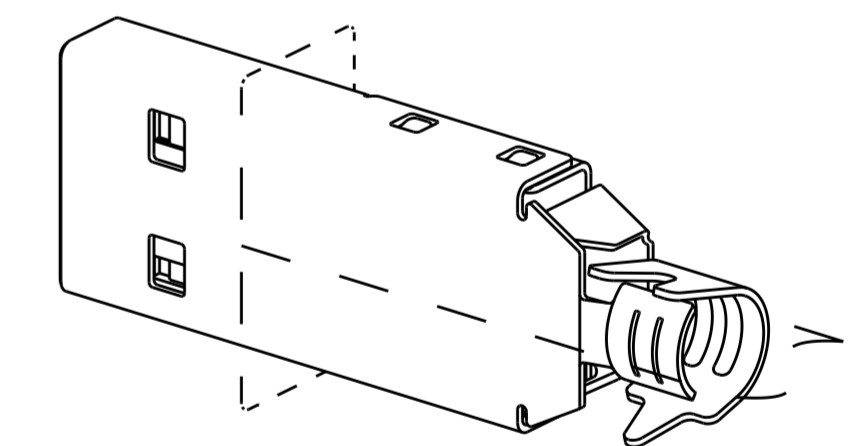
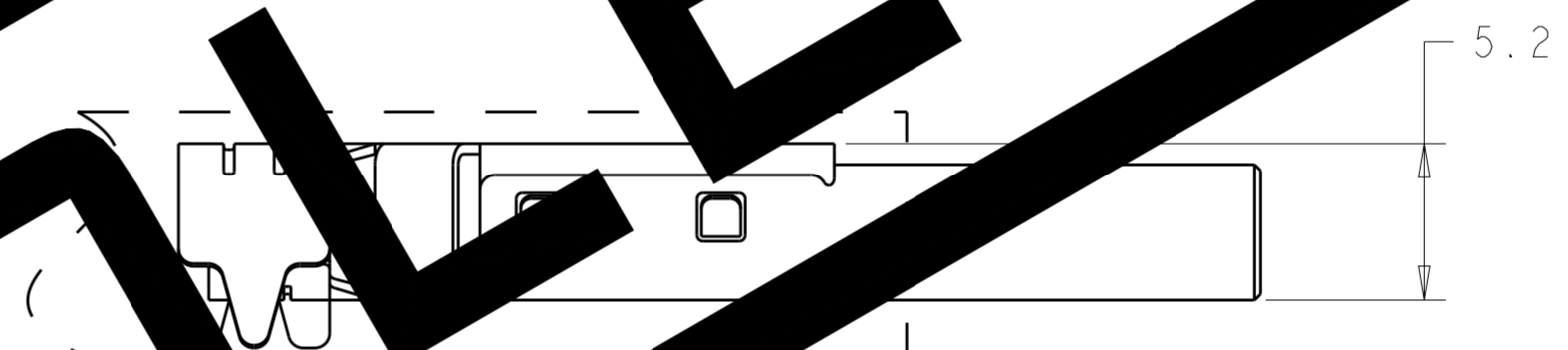
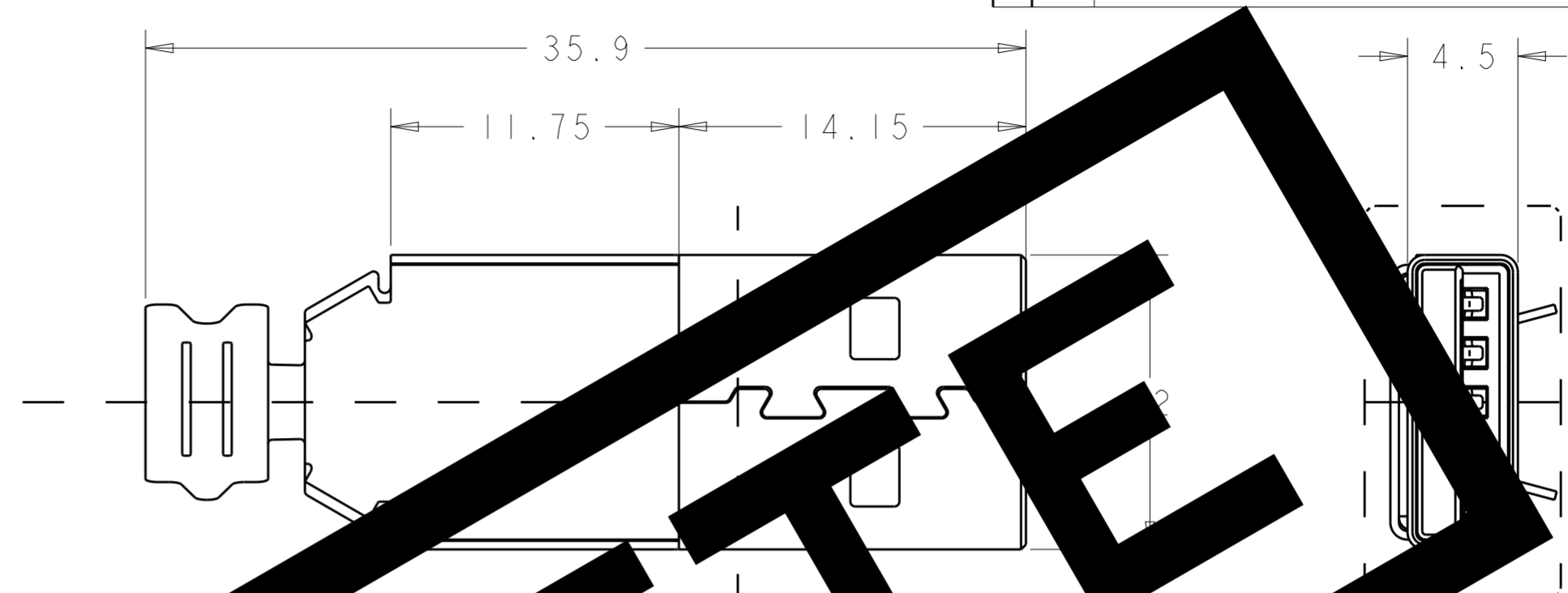
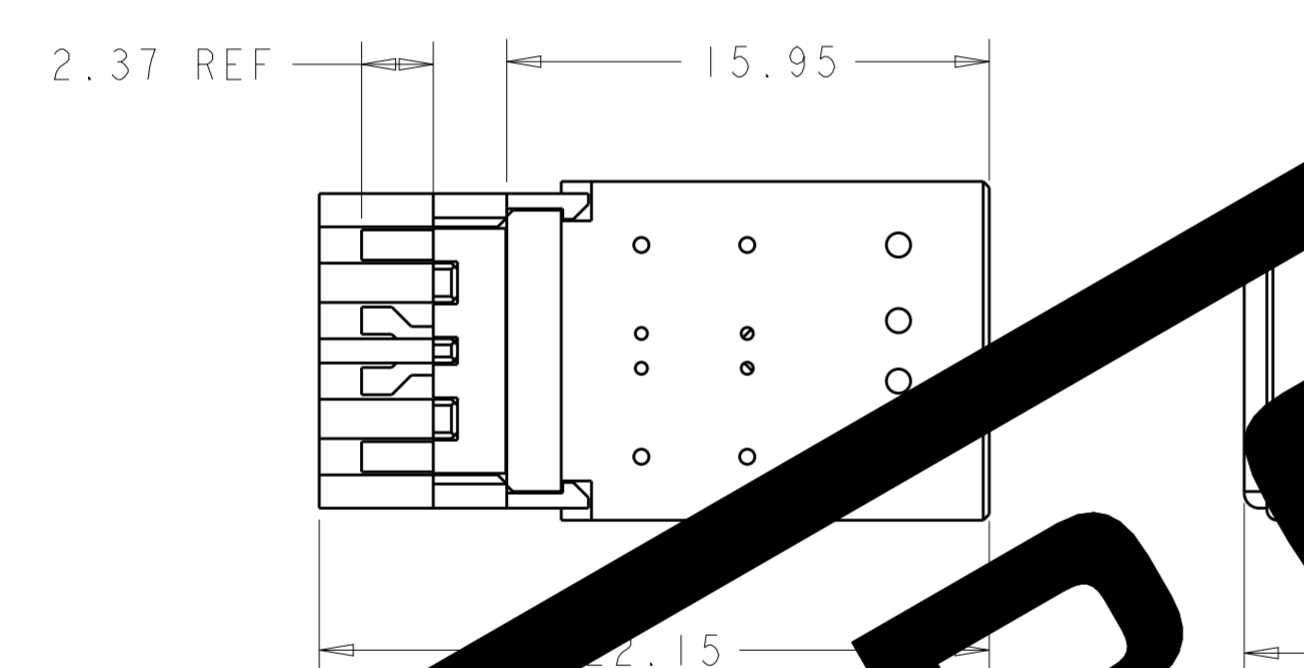
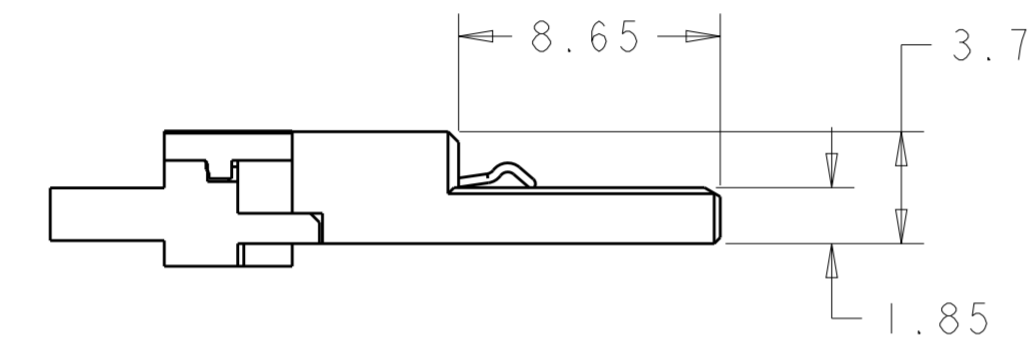
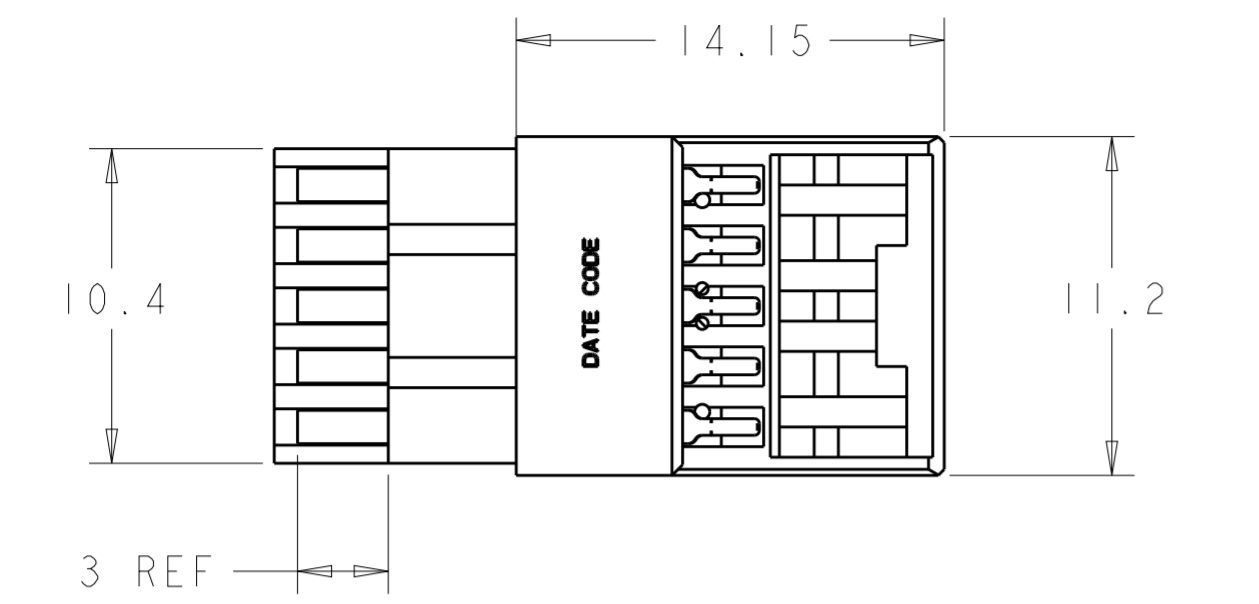


THIS DRAWING IS UNPUBLISHED. RELEASED FOR PUBLICATION 20
 © COPYRIGHT 20 BY TYCO ELECTRONICS CORPORATION. ALL RIGHTS RESERVED.

LOC	DIST	REVISIONS					
ES	00	P	LTR	DESCRIPTION	DATE	DWN	APVD
		A		INITIAL RELEASED PER ECR-11-002073	9FEB2011	A.L	S.Y
		B		OBSOLETE PER ECR-18-009100	15JUN2018	T.Z	S.L



OBSOLETE

BEFORE SHELL ASSEMBLY

AFTER ORGANIZER AND SHELL ASSEMBLY

CABLE ASSEMBLY SOLDER POINT

CONTACT

CABLE ASSEMBLY SOLDER REQUIREMENT TO AVOID SHORT ISSUE

- MATERIAL:
 SHELL : CARBON STEEL
 CONTACTS: COPPER ALLOY
 HOUSING: THERMOPLASTIC, BLUE
- PLATING:
 CONTACT: 0.76um MIN GOLD OR GOLD FLASHED OVER 0.76um MIN Pd-Ni ON MATING AREA, 2.54um MIN MATTE TIN ON SOLDER TAILS, 1.27um MIN NICKEL UNDER PLATING
 SHELL: NICKEL PLATING OVER COPPER PLATING
- RECOMMENDED CABLE ASSEMBLY PROCESS:
 WIRE SOLDERING----->ENVELOPING GLUE AROUND SOLDER POINT
 ----->OVERMOLDING INNER PLASTIC----->OVER MOLDING OUTER PLASTIC

P/N: 1932266-1

<small>THIS DRAWING IS A CONTROLLED DOCUMENT FOR TYCO ELECTRONICS CORPORATION. IT IS SUBJECT TO CHANGE AND THE CONTROLLING ENGINEERING ORGANIZATION SHOULD BE CONTACTED FOR THE LATEST REVISION.</small>		DWN: 18AUG2009 ALAN LIU CHK: 18AUG2009 MARTIN LI APVD: 18AUG2009 STEVEN YAO	Tyco Electronics Shanghai P.R.China 200233
DIMENSIONS: mm 	TOLERANCES UNLESS OTHERWISE SPECIFIED: 0 PLC ±0.25 1 PLC ±0.25 2 PLC ±0.25 3 PLC ± 4 PLC ± ANGLES ± FINISH ±	PRODUCT SPEC APPLICATION SPEC WEIGHT CUSTOMER DRAWING	NAME: USB 3.0 TYPE A STD PLUG SIZE: A2 CAGE CODE: 00779 DRAWING NO: C-1932266 RESTRICTED TO: B
SCALE: 2:1		SHEET 1 OF 1 REV B	

单击下面可查看定价，库存，交付和生命周期等信息

[>>TE Connectivity\(泰科\)](#)