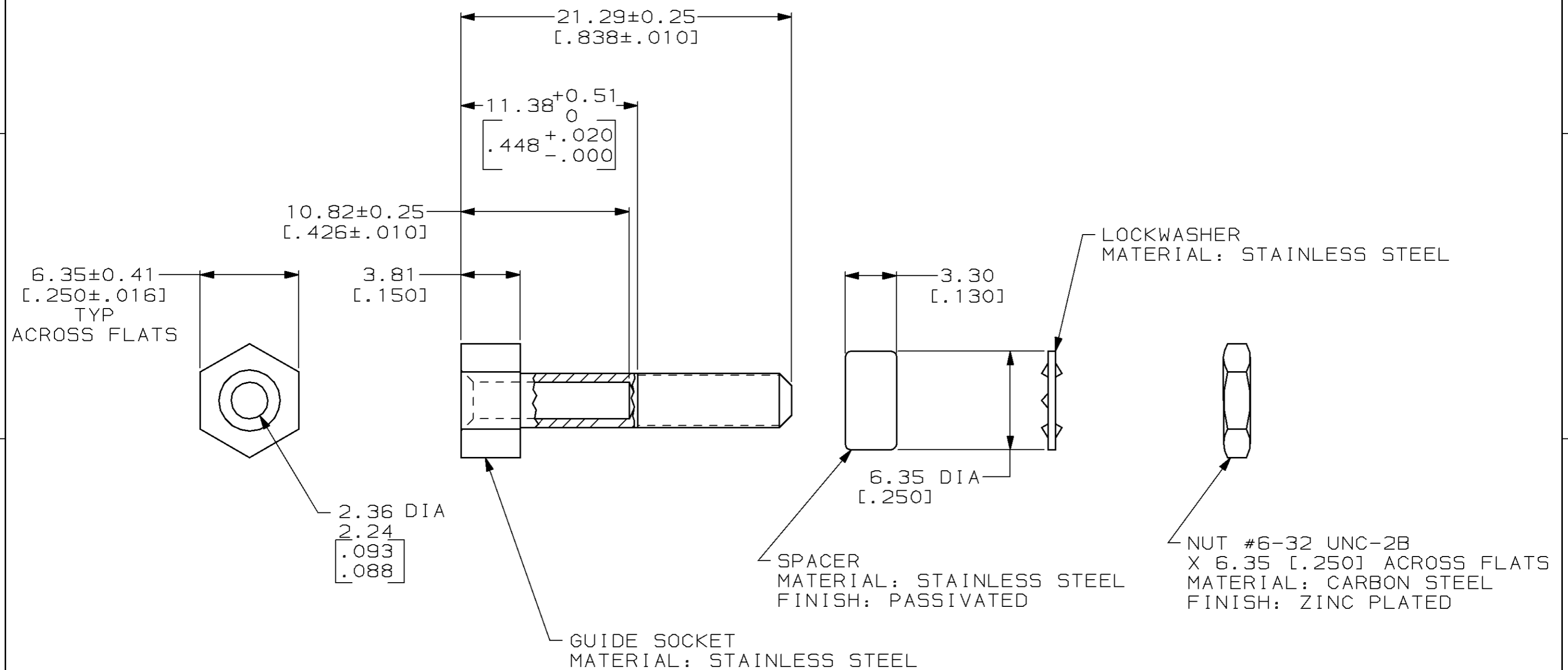
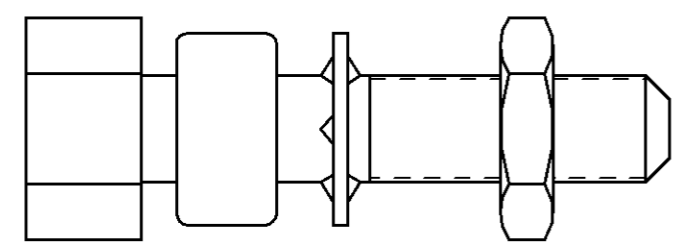


THIS DRAWING IS UNPUBLISHED. RELEASED FOR PUBLICATION ,19 .
 © COPYRIGHT 19 BY AMP INCORPORATED. ALL RIGHTS RESERVED.

LOC	DIST	REVISIONS			
P	LTR	DESCRIPTION	DATE	DWN	APVD
FT	8	E	REDRAWN W/O CHANGE PER EC 0020-287-96	05 JUN 96	-



204099-2
PART NUMBER



ASSEMBLED VIEW

THIS DRAWING IS A CONTROLLED DOCUMENT.		DWN B. CARBO 05 JUN 96	AMP AMP Incorporated Harrisburg, PA 17105-3608
		CHK R. STONE 19 JUL 96	
DIMENSIONS: mm [INCHES]		APVD G. A. STEINHAUER 24 JUL 96	NAME
TOLERANCES UNLESS OTHERWISE SPECIFIED:		PRODUCT SPEC	GUIDE, SOCKET ASSEMBLY, M SERIES
0 PLC ±-		APPLICATION SPEC	SIZE
1 PLC ±-		WEIGHT	CAGE CODE
2 PLC ±0.13 [.005]		CUSTOMER DRAWING	DRAWING NO
3 PLC ±-			A3 00779 C-204099
4 PLC ±-			SCALE 4:1 SHEET 1 OF 1 REV E
ANGLES ±-			
MATERIAL SEE CALLOUTS	FINISH SEE CALLOUTS		

单击下面可查看定价，库存，交付和生命周期等信息

[>>TE Connectivity\(泰科\)](#)