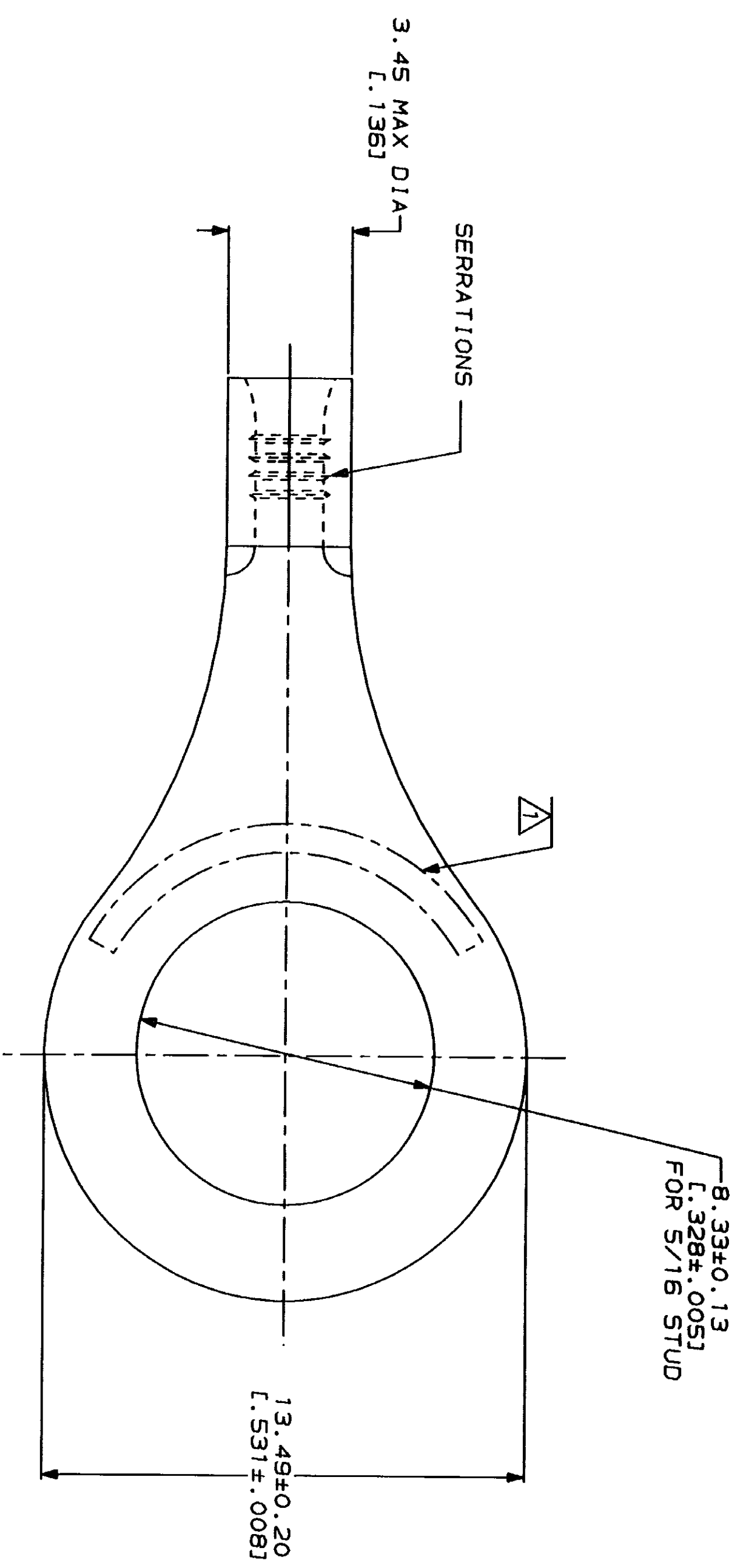
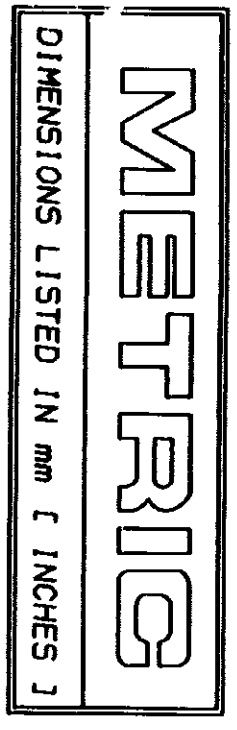
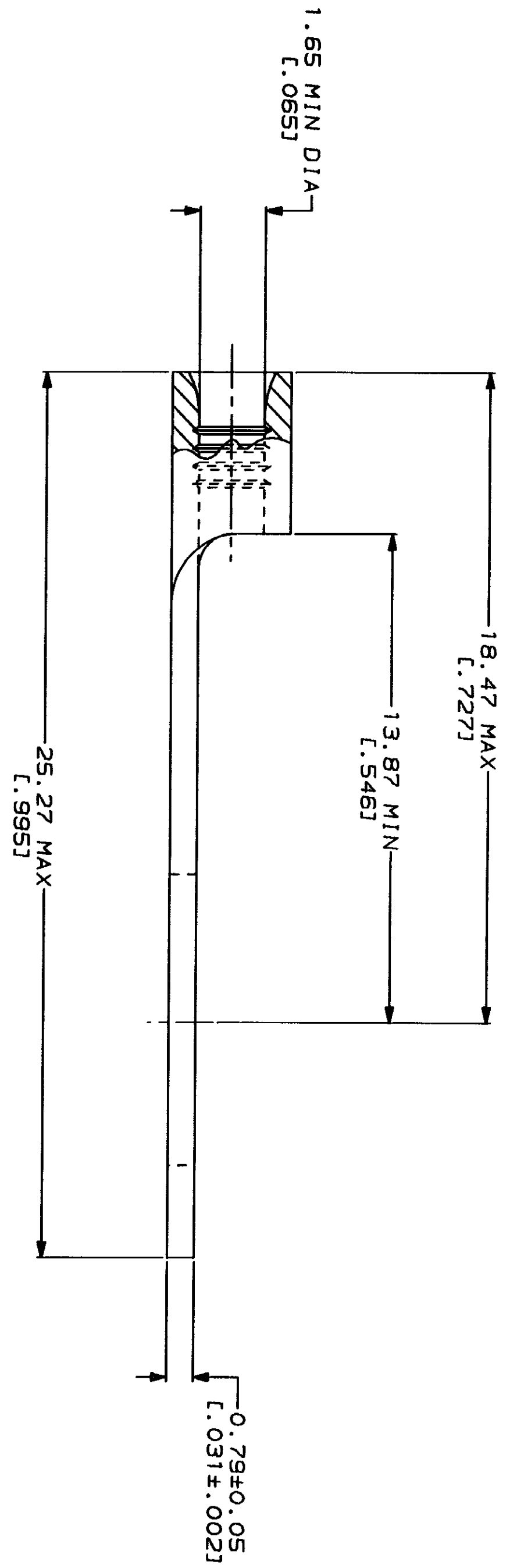


LOC	DIST	ZONE	LTR	REVISIONS	DATE	APPD
G	14			REVISED PER 0720-0230-93	2/28/94	DAF



<b>AMP</b>	WIRE RANGE	<b>UL</b> E13288 Listed
	22-16 AWG STRANDED	22-16 AWG STRANDED
		MILITARY P/N AND CLASS
		NOT APPLICABLE

STAMP AMP 22-18\* APPROX AS SHOWN  
 22-16 TERMINALS ARE STAMPED 22-18 IN  
 ACCORDANCE WITH MILITARY SPECIFICATION  
 MIL-T-7928, COMMERCIAL WIRE RANGE IS 22-16



AMP INCORPORATED CUSTOMER SERVICE SYSTEMS		MAX RECOMMENDED OPERATING TEMPERATURE: 170°C MAX
FOR ADDITIONAL PRODUCT INFORMATION OR COPIES OF DRAWINGS AND TECHNICAL DOCUMENTS	PRODUCT INFORMATION CENTER 1-800-522-6752	VOLTAGE RATING: NOT APPLICABLE
FOR APPLICATION TOOLING INFORMATION	TOOLING ASSISTANCE CENTER 1-800-722-1111	WIRE CROSS SECTIONAL AREA RANGE: 0.26-1.65mm² [509-3,260] CIR MILS STRANDED
FOR ORDER ENTRY	1-800-526-5142	THIS DRAWING IS A CONTROLLED DOCUMENT FOR AMP INCORPORATED. IT IS SUBJECT TO CHANGE AND THE CONTROLLING EDITION OR REVISION SHOULD BE CONSULTED FOR THE LATEST REVISION.

DO NOT SCALE PRINT. UNLESS SPECIFIED DIMENSIONS IN MILLIMETERS - DIMENSIONS IN INCHES - TOLERANCES ON: 1. P.L.C. DEC ± .0025	DR 2-4-93 TA BRINKMAN
MATERIAL: COPPER PER ASTM B-152 ANNEALED	CHK 2-4-93 DA PATTERSON
FINISH: TIN PLATE 0.0025± [L.000100] MIN THK PER MIL-T-10727	APPD 2-4-93 DE MILLER
	APPD 2-4-93 JL MECKLEY
	PRODUCT SPEC
	APPLICATION SPEC
	WEIGHT

<b>AMP</b>	AMP Incorporated Harrisburg, PA 17105-3508
TERMINAL, RING TONGUE, BUDGET	
SIZE: G	CASE CODE: 00779
SCALE: 8:1	DRAWING NO: 324124
	SHEET: 1 OF 1

单击下面可查看定价，库存，交付和生命周期等信息

[>>TE Connectivity\(泰科\)](#)