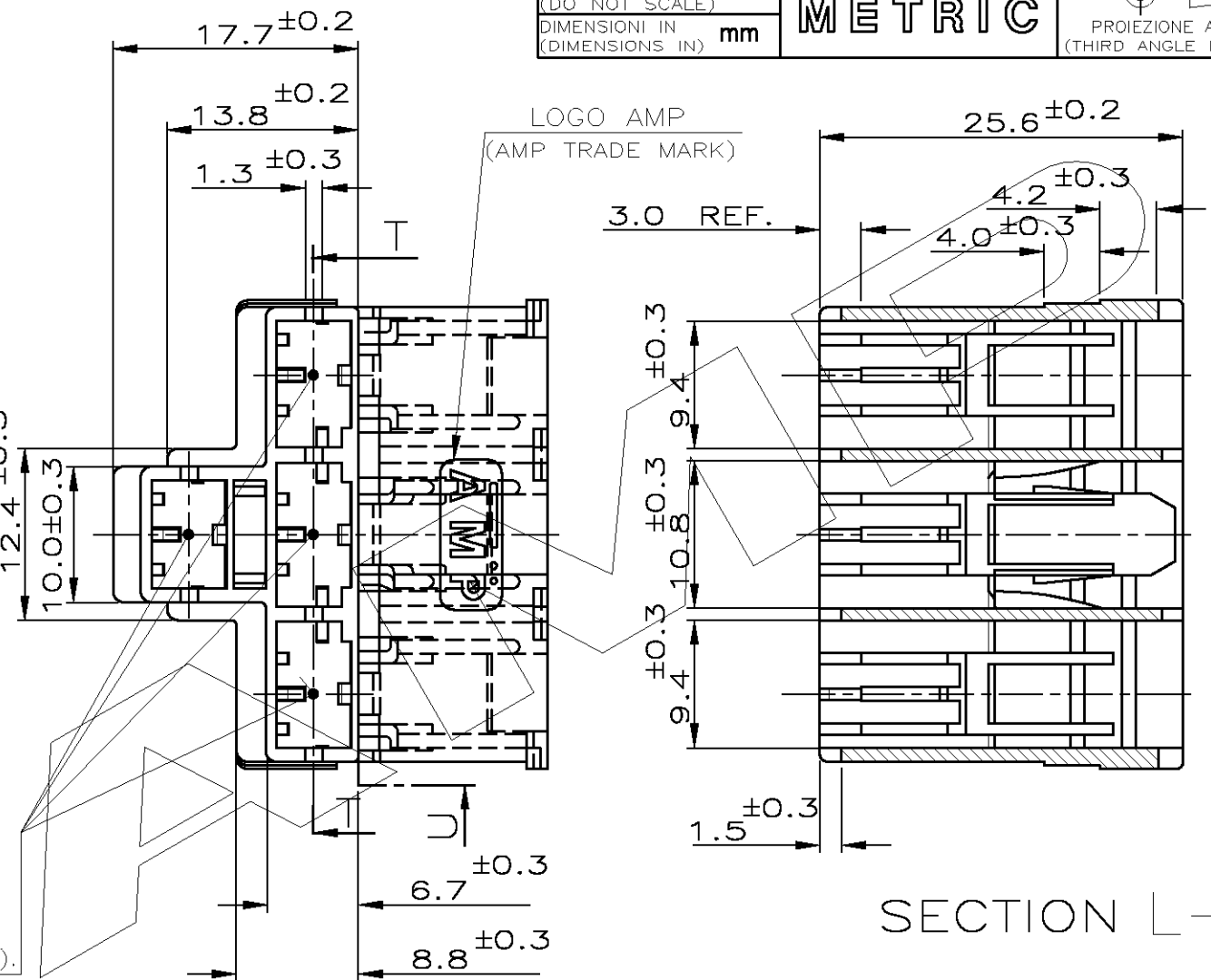
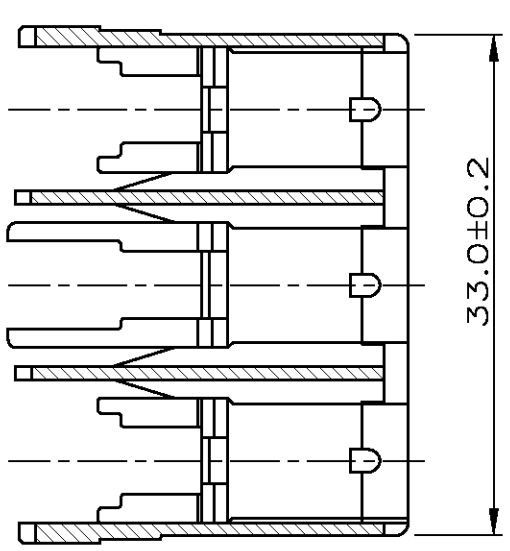


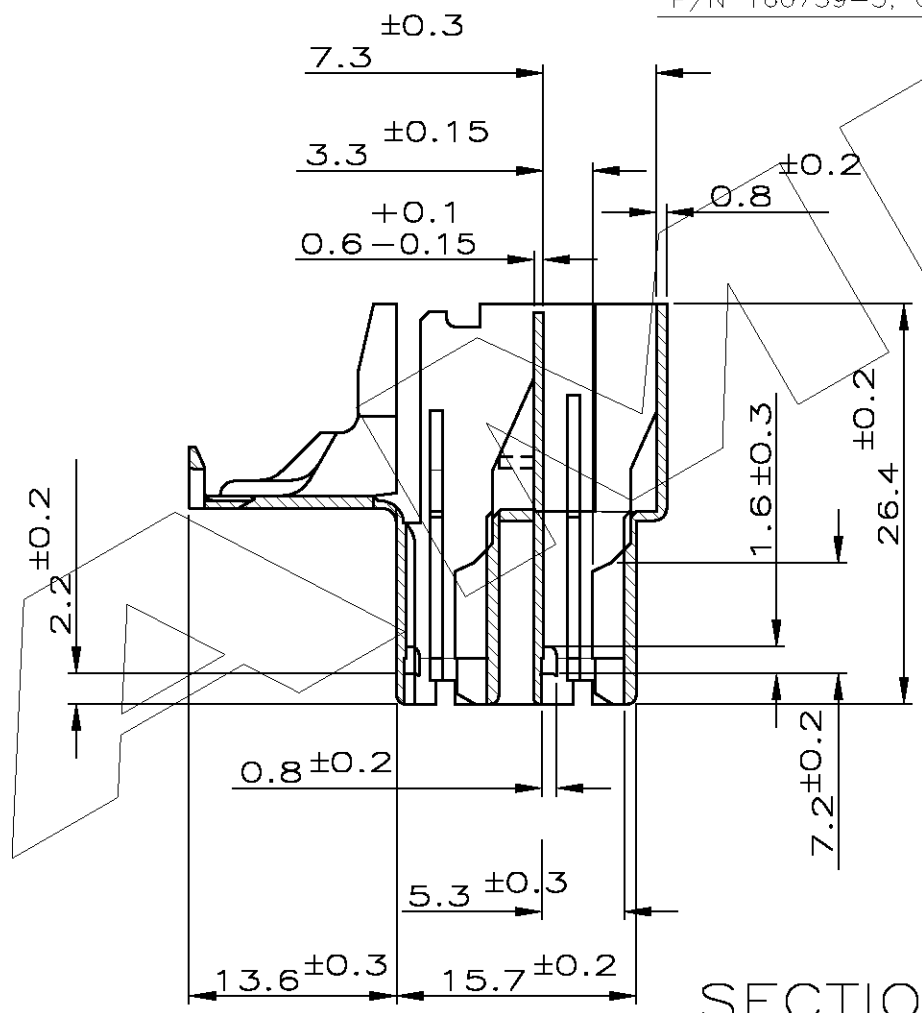
SECTION S-S



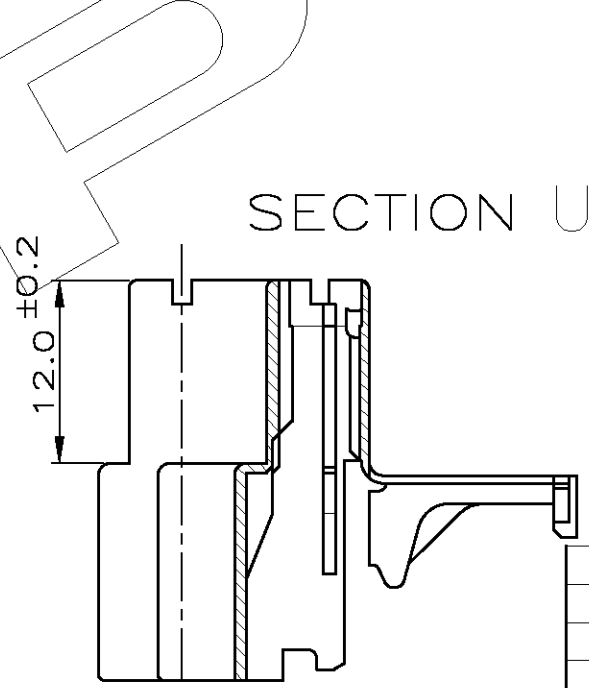
SECTION L-L

4 CAVITA' ADATTE PER TERMINALI AMP
 POSITIVE LOCK MK1 P/N 160759-3, O
 P/N 154717-3, O 790319-3.
 (4 CAVITIES SUITABLE FOR POSITIVE LOCK MK1
 P/N 160759-3, OR P/N 154717-3, OR 790319-3).

1) PRODUCT SPECIFICATION 108-20089



SECTION R-R



SECTION U-U

	ARANCIO (ORANGE)	1-282011-0
	VIOLA (VIOLET)	282011-9
	GRIGIO (GREY)	282011-8
	MARRONE (BROWN)	282011-7
	NERO (BLACK)	282011-6
	GIALLO (YELLOW)	282011-5
	BLU (BLUE)	282011-4
	VERDE (GREEN)	282011-3
	ROSSO (RED)	282011-2
	NATURALE (CLEAR)	282011-1
OBSOLETE		

PA 6.6 NAT.
(PA 6.6 UNFILLED)

C1	REVISED FOR ET00-0154-98	M.P.
B	OBSOLETE P/Ns FROM 282011-2 TO P/N 1-282011-0 AS PER EC:ET00-0043-94	
A	IN PRODUZIONE	C. I. 1994
3	REVISED	C. I. 1990
2	REVISED	C. I. 1990
1	PROP.N. WAS 89-51306	C. I. 1989

CUSTOMER DWG. FOR REFERENCE ONLY
 DISEGNO PER CLIENTE SOLO PER RIFERIMENTO

THIS DRAWING IS UNPUBLISHED
 RELEASE FOR PUBLICATION 19

© COPYRIGHT 19 BY AMP INCORPORATED, HARRISBURG, PA. ALL INTERNATIONAL RIGHT RESERVED. AMP PRODUCTS MAY BE COVERED BY U.S. AND FOREIGN PATENT AND/OR PATENT PENDING

TOLLERANZE: SE NON DIVERSAMENTE SPECIFICATO (TOLERANCES: UNLESS OTHERWISE SPECIFIED)	DIAM. ISOLANTE (INS. DIA. RANGE)	RANGO FILO (WIRE RANGE)	SCALA (SCALE)
± 0.3	//	//	2:1

ANGOLI (ANGLES) ± 2°

DIS. 13.9.89 (DR.) C.IANNARELLI
 CONT. 29 JULY 1992 (CHK) C.TARTARI

DESCRIZIONE (DESCRIPTION)	LOC. SIZE	NUMERO (DWG NO)	REV.	FOGLIO (SHEET)
4 WAY POSITIVE LOCK FOR IGNITION KEY WITH SEC. LOCK	A3	C-282011	C1	1 (OF) 1

DISTRIBUZIONE (PRINT, DIST.)

单击下面可查看定价，库存，交付和生命周期等信息

[>>TE Connectivity\(泰科\)](#)