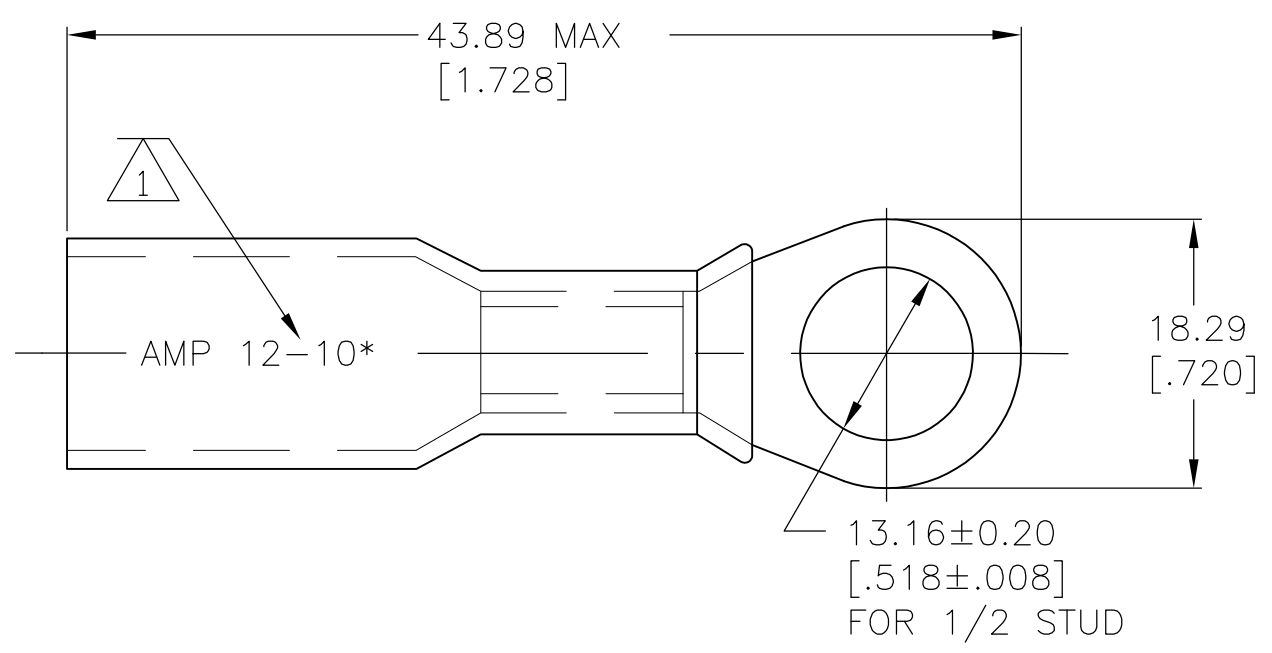


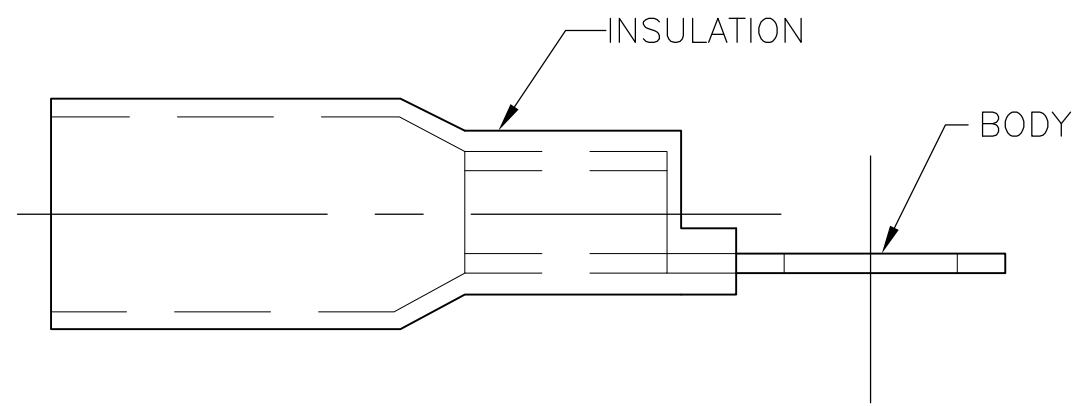
THIS DRAWING IS UNPUBLISHED. RELEASED FOR PUBLICATION
 © COPYRIGHT BY TYCO ELECTRONICS CORPORATION. ALL INTERNATIONAL RIGHTS RESERVED.

LOC	DIST	REVISIONS					
		P	LTR	DESCRIPTION	DATE	DWN	APVD
G	14		D	REVISED PER ECR-09-027352	18FEB10	JR	TM



- 1 STAMP AMP 12-10* APPROX AS SHOWN
- 2 WIRE INSULATION DIA 6.10 [.240] MAX
- 3 TONGUE MATERIAL THK 1.02±0.05 [.040±.002]
- 4 SUPERSEDED BY 8-55861-3

AMP WIRE RANGE
12-10 AWG STRANDED



25	LOOSE PIECE	8-55861-3
500	LOOSE PIECE	4 55861-1
QTY	PACKAGE TYPE	PART NO

AMP INCORPORATED CUSTOMER SERVICE SYSTEMS		MAX RECOMMENDED OPERATING TEMPERATURE: 125° C MAX	THIS DRAWING IS A CONTROLLED DOCUMENT.		DWN S S GOULDEN 6/93	Tyco Electronics Tyco Electronics Corporation Harrisburg, PA 17105-3608			
FOR ADDITIONAL PRODUCT INFORMATION OR COPIES OF DRAWINGS AND TECHNICAL DOCUMENTS	PRODUCT INFORMATION CENTER 1-800-522-6752	VOLTAGE RATING: 600V MAX (BUILDING WIRING) 1000V MAX (FIXTURES & SIGNS)	DIMENSIONS: mm [INCHES]	TOLERANCES UNLESS OTHERWISE SPECIFIED:	CHK R HERSEY 6/93				NAME TERMINAL, RING TONGUE, SEALABLE HEAT SHRINKABLE
FOR APPLICATION TOOLING INFORMATION	TOOLING ASSISTANCE CENTER 1-800-722-1111	CIRCULAR MIL AREA: 1.04-2.62 ² [2050-5180] STRANDED		0 PLC ± - 1 PLC ± - 2 PLC ± 0.20[.008] 3 PLC ± - 4 PLC ± - ANGLES ± -	APVD B BARE 6/93	APPLICATION SPEC 408-4022			
FOR ORDER ENTRY	1-800-526-5142	THIS DRAWING IS A CONTROLLED DOCUMENT FOR AMP INCORPORATED. IT IS SUBJECT TO CHANGE AND THE CONTROLLING ENGINEERING ORGANIZATION SHOULD BE CONTACTED FOR THE LATEST REVISION.	MATERIAL BODY: ETP COPPER INSULATION: POLYOLEFIN COLOR: YELLOW	FINISH EDP TIN PLATED	PRODUCT SPEC -				SIZE A3
CUSTOMER DRAWING					WEIGHT -	SCALE NTS	SHEET 1 OF 1	REV D	

单击下面可查看定价，库存，交付和生命周期等信息

[>>TE Connectivity\(泰科\)](#)