

THIS DRAWING IS UNPUBLISHED.

RELEASED FOR PUBLICATION

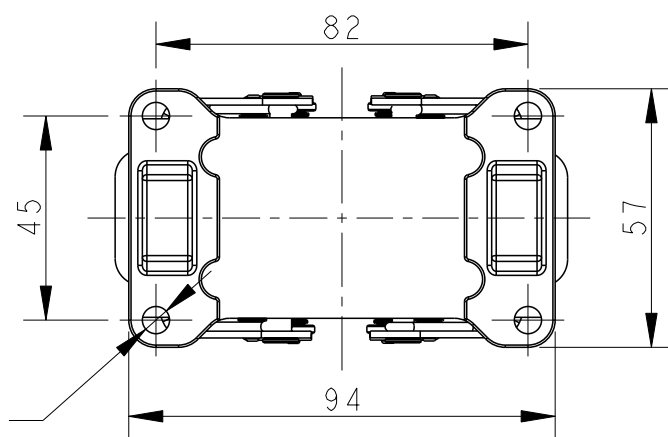
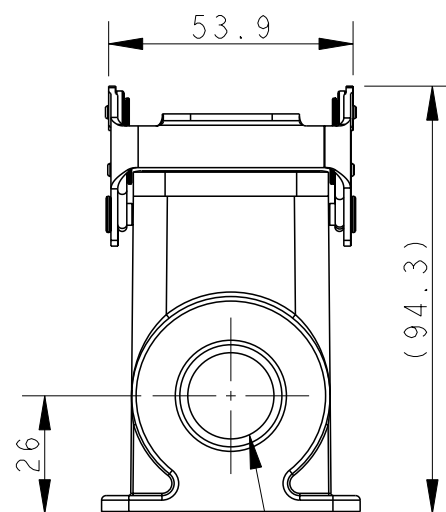
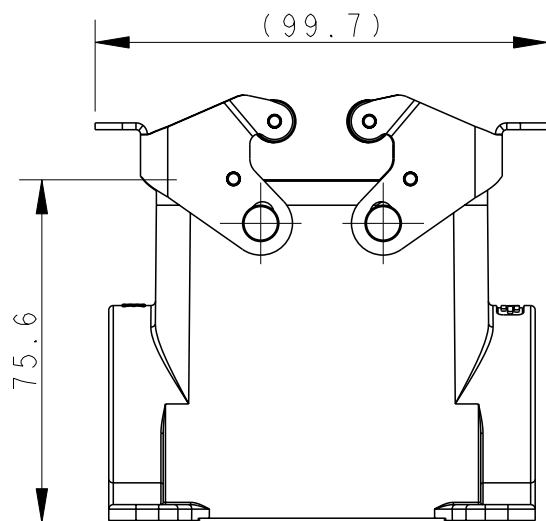
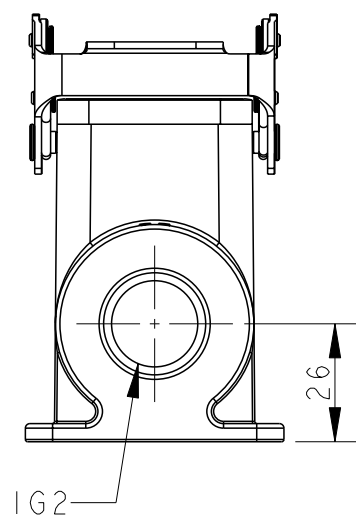
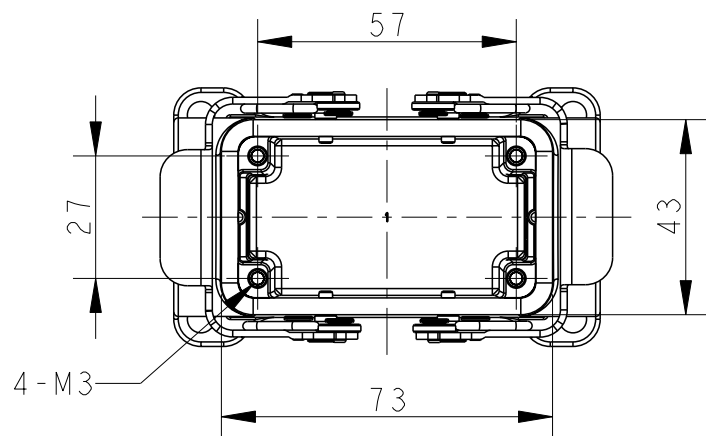
20

© COPYRIGHT 20 BY -

ALL RIGHTS RESERVED.

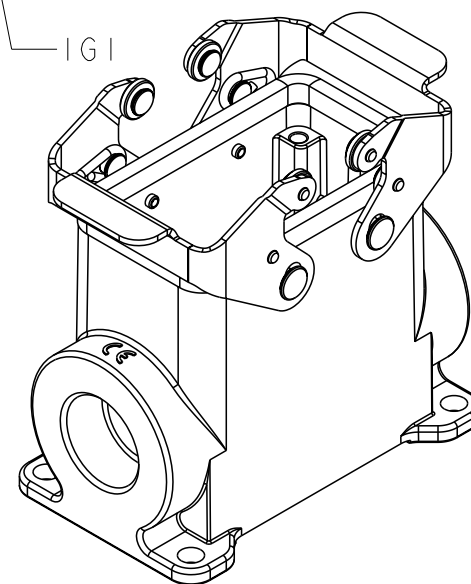
REVISIONS

P	LTR	DESCRIPTION	DATE	DWN	APVD
A		INITIAL RELEASE	25JUN2015	DL	CW
B		ECR-20-008181	13JUL2020	WQR	CW
BI		ECR-23-195948	27DEC2023	SC	CW



NOTES:
 1. TECHNICAL CHARACTERISTICS:
 BODY MATERIAL: DIE CAST ALUMINIUM ALLOY
 SURFACE TREATMENT: POWDER-COATED, GRAY
 DEGREE OF PROTECTION: IP65 (MATED)

注释:
 1. 技术参数:
 主体材料: 铝合金
 表面处理: 粉末喷涂, 灰色
 防护等级: IP65(配合)



TYPE I: HIGH BODY + DOUBLE STAINLESS STEEL LOCKING

TI470101225-000	TYPE I	H10B-SGRHS-2M25	M25	M25
TI470101121-000		H10B-SGRHS-PG21	PG21	-
TI470101129-000		H10B-SGRHS-PG29	PG29	-
TI470101132-000		H10B-SGRHS-M32	M32	-
TI470101221-000		H10B-SGRHS-2PG21	PG21	PG21
TI470101229-000		H10B-SGRHS-2PG29	PG29	PG29
TI470101232-000		H10B-SGRHS-2M32	M32	M32
ASSEMBLY PART NUMBER		TYPE	ASSEMBLY PART DESCRIPTION	IG1

THIS DRAWING IS A CONTROLLED DOCUMENT.		DWN	25JUN2015	TE TE Connectivity
		CHK	25JUN2015	
		APVD	25JUN2015	
		PRODUCT SPEC	108-137013	
DIMENSIONS: mm		TOLERANCES UNLESS OTHERWISE SPECIFIED:		NAME
		0 PLC ±-		H10B-SGRHS-PG/M
		1 PLC ±-		SIZE
		2 PLC ±-		A3
		3 PLC ±-		CAGE CODE
		4 PLC ±-		-
		ANGLES ±-		DRAWING NO
		FINISH		C-TI47010XXXX000
MATERIAL		TBD		RESTRICTED TO
		CUSTOMER DRAWING		SCALE
				3:5
				SHEET
				1 OF 2
				REV
				BI

printed on 29 Dec 2023 09:57 (China Standard Time) from TE568938

A

D

THIS DRAWING IS UNPUBLISHED.

RELEASED FOR PUBLICATION

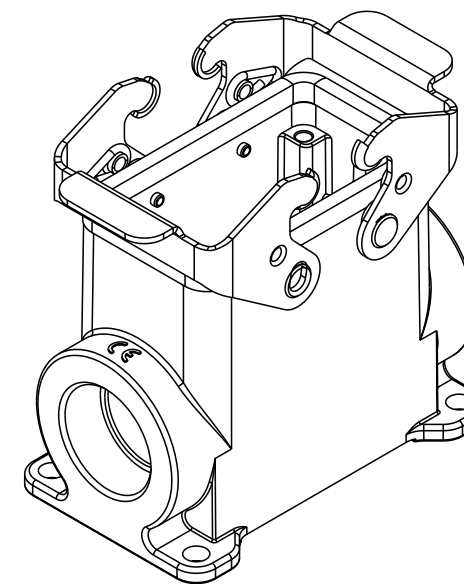
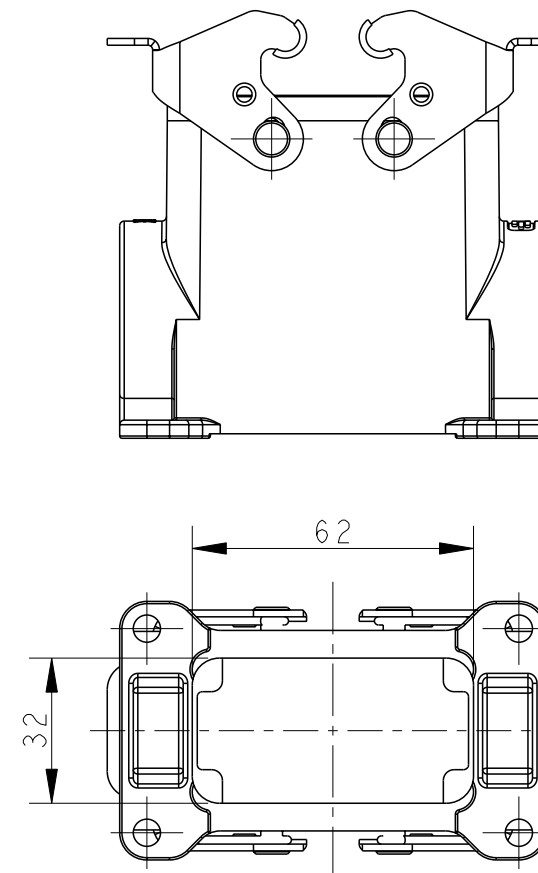
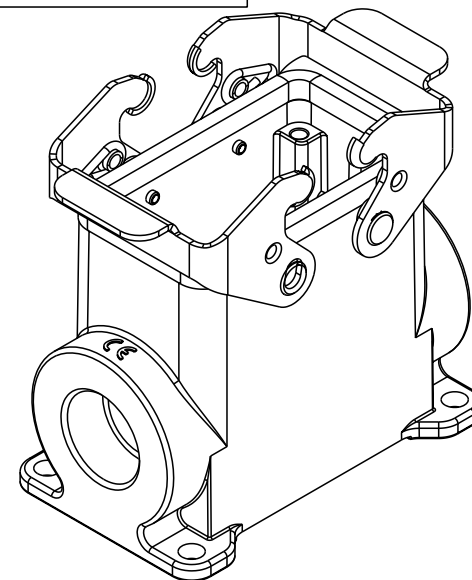
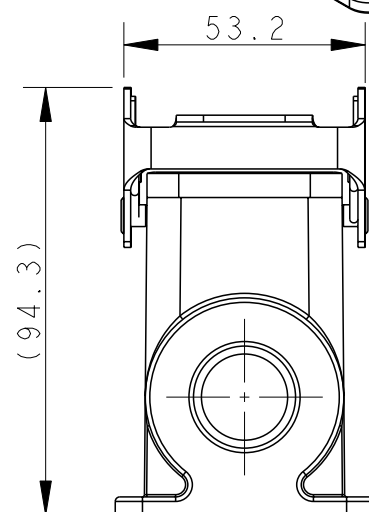
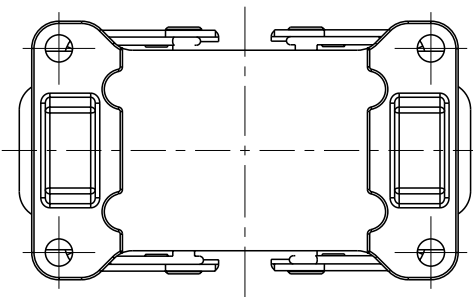
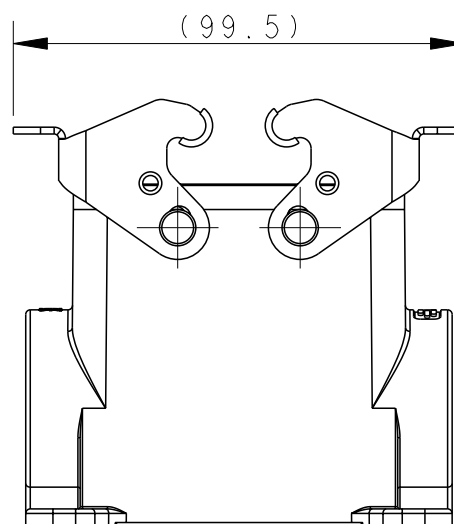
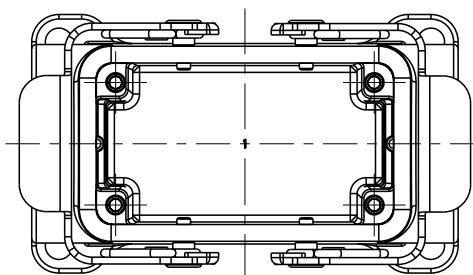
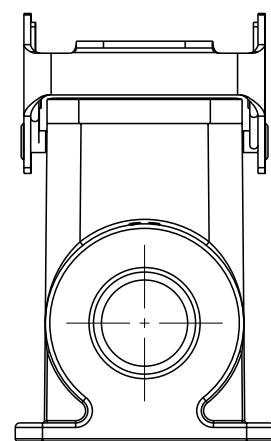
20

© COPYRIGHT 20 BY -

ALL RIGHTS RESERVED.

REVISIONS


P	LTR	DESCRIPTION	DATE	DWN	APVD
-	-	SEE SHEET 1	-	-	-



TYPE 2: HIGH BODY + DOUBLE STEEL LOCKING
OTHER SPEC REFER TO TYPE 1

TYPE 3: HIGH BODY + DOUBLE STEEL LOCKING
BOTTOM CUT OUT
OTHER SPEC REFER TO TYPE 2

TI470102116-000	TYPE 2	H10B-SGRH-PG16	PG16	-
TI470102121-000		H10B-SGRH-PG21	PG21	-
TI470102125-000		H10B-SGRH-M25	M25	-
TI470102129-000		H10B-SGRH-PG29	PG29	-
TI470102132-000		H10B-SGRH-M32	M32	-
TI470102221-000		H10B-SGRH-2PG21	PG21	PG21
TI470102225-000		H10B-SGRH-2M25	M25	M25
TI470102229-000		H10B-SGRH-2PG29	PG29	PG29
TI470102232-000		H10B-SGRH-2M32	M32	M32
TI470100000-000		TYPE 3	H10B-SGRH	-
ASSEMBLY PART NUMBER	TYPE	ASSEMBLY PART DESCRIPTION	IG1	IG2

THIS DRAWING IS A CONTROLLED DOCUMENT.		DWN	25JUN2015	 TE Connectivity	NAME H10B-SGRH-PG/M
DIMENSIONS: mm		DAVID LI	25JUN2015		
TOLERANCES UNLESS OTHERWISE SPECIFIED:		CHK	CHRIS WANG		
0 PLC ±- 1 PLC ±- 2 PLC ±- 3 PLC ±- 4 PLC ±- ANGLES ±-		APVD	XU XIANG		
MATERIAL TBD		PRODUCT SPEC 108-137013		SIZE	A3
		APPLICATION SPEC 114-137013		CAGE CODE	-
		WEIGHT -		DRAWING NO	©-TI47010XXXX000
		CUSTOMER DRAWING		RESTRICTED TO	
		SCALE		3:5	SHEET
				2	OF
				2	REV
					B1

printed on 29 Dec 2023 09:57 (China Standard Time) from TE568938

A

A

D

D

C

B

单击下面可查看定价，库存，交付和生命周期等信息

[>>TE Connectivity\(泰科\)](#)