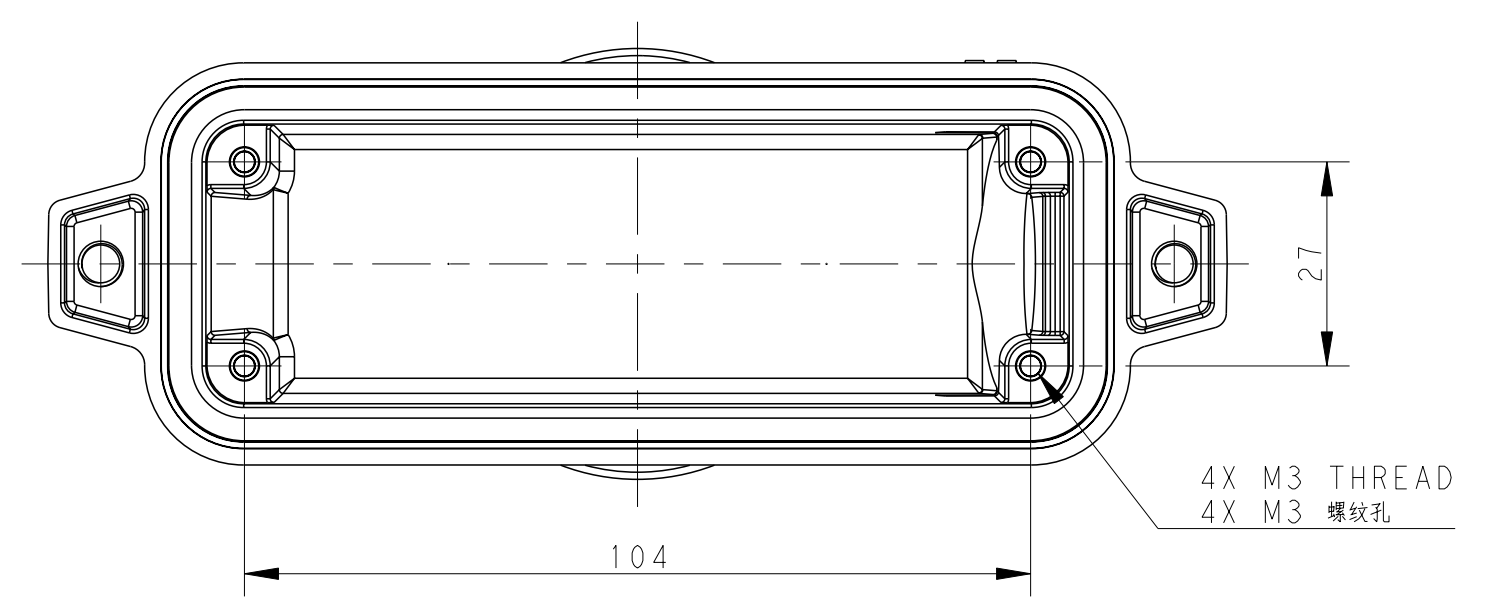
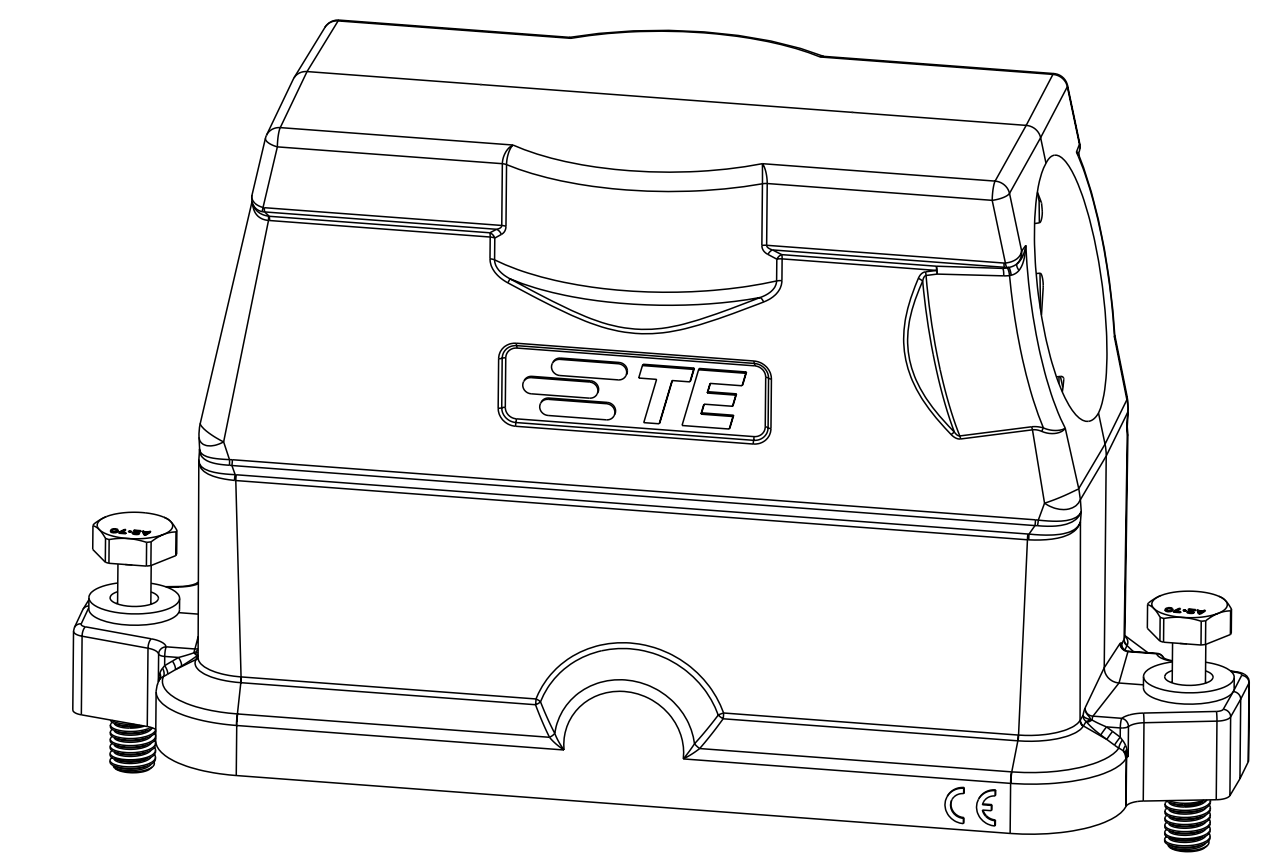
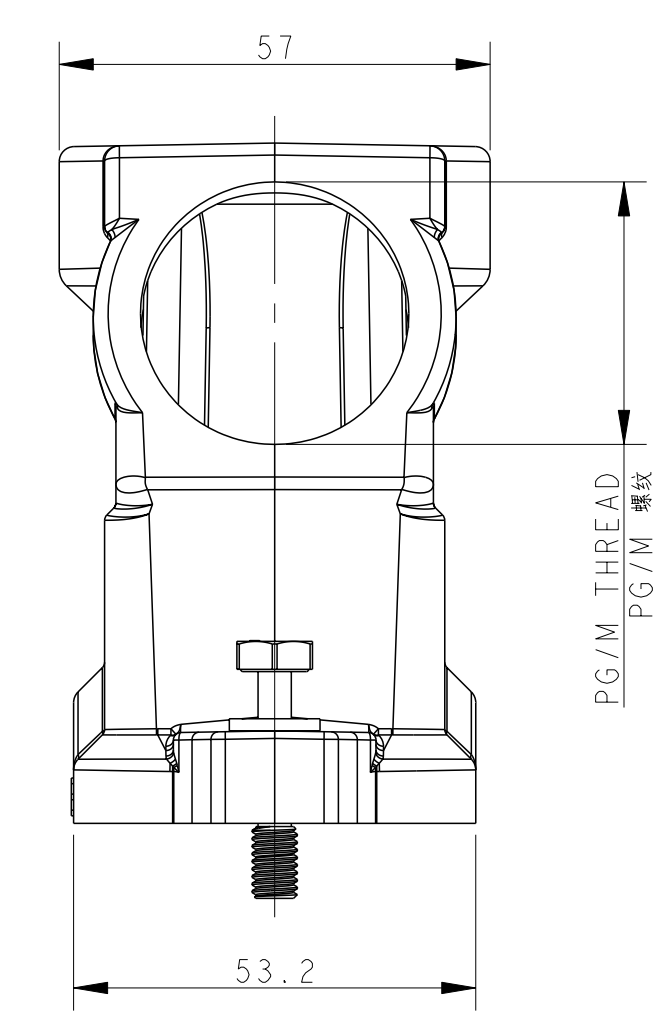
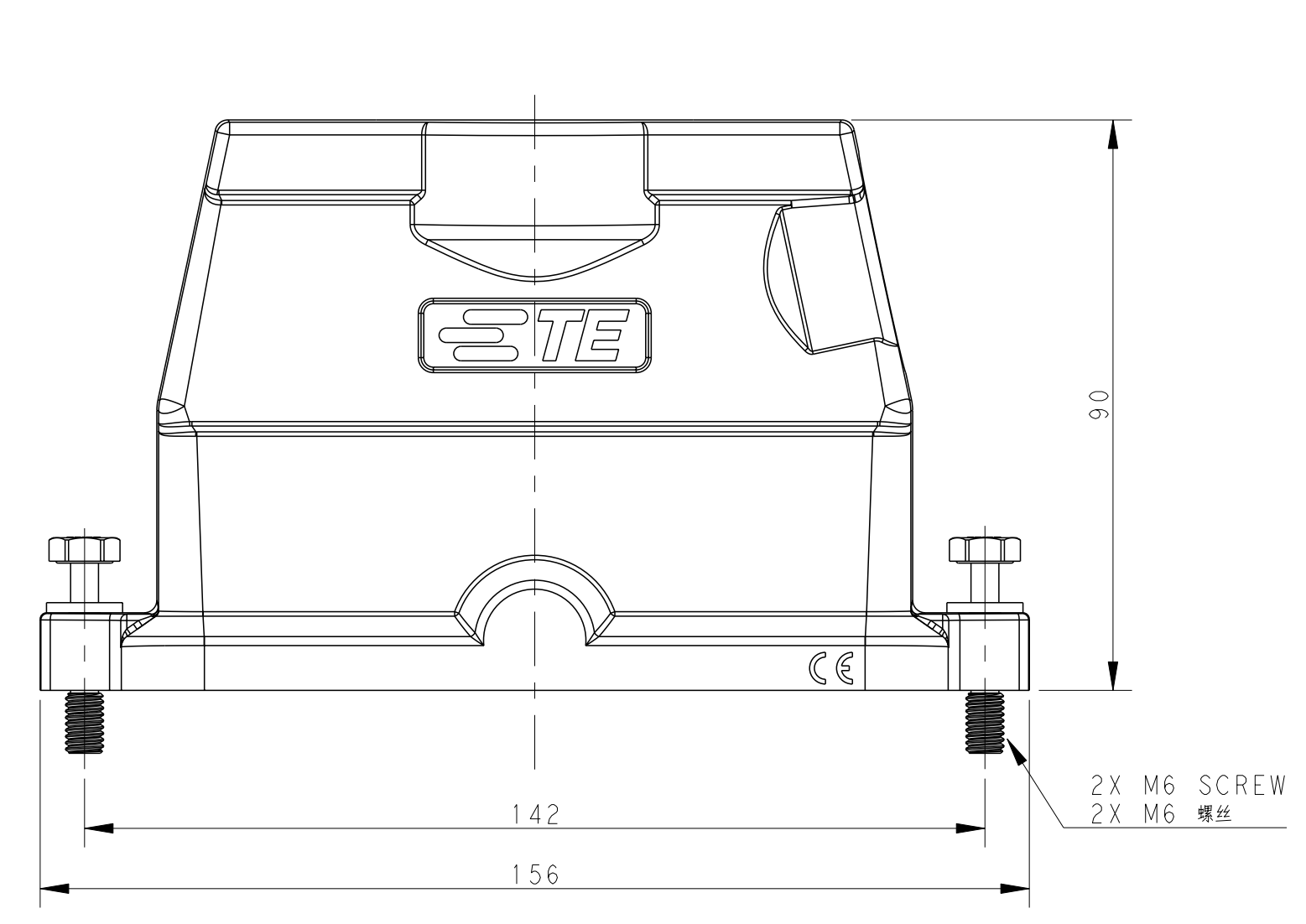


REVISIONS				
#	DATE	DESCRIPTION	DATE	APPV
A	07JUN2016	INITIAL RELEASE	DW	CW
B	03JUN2021	ECR-20-016312	BS	CW

NOTES:  
 1. TECHNICAL CHARACTERISTICS:  
 HOOD MATERIAL: DIE CAST ALUMINIUM ALLOY  
 SURFACE: SEE TABLE  
 DEGREE OF PROTECTION: IP68 (MATED)

注释:  
 1. 技术参数:  
 壳体材料: 铝合金  
 表面处理: 见表格  
 防护等级: IP68 (配合)



PART NUMBER 料号	DESCRIPTION 描述	PG/M THREAD PG/M 螺纹
T1912241140-009	H24BPR-TSHC-M40-EMC-C H24BPR HOOD, CENTER LOCKING, SIDE ENTRY M40, POWDER COATED, SILVER WHITE H24BPR中部锁定侧出壳M40 银白色	M40
T1912241132-009	H24BPR-TSHC-M32-EMC-C H24BPR HOOD, CENTER LOCKING, SIDE ENTRY M32, POWDER COATED, SILVER WHITE H24BPR中部锁定侧出壳M32 银白色	M32
T1912241129-009	H24BPR-TSHC-PG29-EMC-C H24BPR HOOD, CENTER LOCKING, SIDE ENTRY PG29, POWDER COATED, SILVER WHITE H24BPR中部锁定侧出壳PG29 银白色	PG29
T1912241125-009	H24BPR-TSHC-M25-EMC-C H24BPR HOOD, CENTER LOCKING, SIDE ENTRY M25, POWDER COATED, SILVER WHITE H24BPR中部锁定侧出壳M25 银白色	M25
T1912241121-009	H24BPR-TSHC-PG21-EMC-C H24BPR HOOD, CENTER LOCKING, SIDE ENTRY PG21, POWDER COATED, SILVER WHITE H24BPR中部锁定侧出壳PG21 银白色	PG21
T1912240140-009	H24BPR-TSHC-M40-EMC-C H24BPR HOOD, CENTER LOCKING, SIDE ENTRY M40, POWDER COATED, BLACK H24BPR中部锁定侧出壳M40 黑色	M40
T1912240132-009	H24BPR-TSHC-M32-EMC-C H24BPR HOOD, CENTER LOCKING, SIDE ENTRY M32, POWDER COATED, BLACK H24BPR中部锁定侧出壳M32 黑色	M32
T1912240129-009	H24BPR-TSHC-PG29-EMC-C H24BPR HOOD, CENTER LOCKING, SIDE ENTRY PG29, POWDER COATED, BLACK H24BPR中部锁定侧出壳PG29 黑色	PG29
T1912240125-009	H24BPR-TSHC-M25-EMC-C H24BPR HOOD, CENTER LOCKING, SIDE ENTRY M25, POWDER COATED, BLACK H24BPR中部锁定侧出壳M25 黑色	M25
T1912240121-009	H24BPR-TSHC-PG21-EMC-C H24BPR HOOD, CENTER LOCKING, SIDE ENTRY PG21, POWDER COATED, BLACK H24BPR中部锁定侧出壳PG21 黑色	PG21

THIS DRAWING IS A CONTROLLED DOCUMENT.		OWN: DAVID WANG 07JUN2016	TE Connectivity
DIMENSIONS: mm		CHK: CHRIS WANG	
TOLERANCES UNLESS OTHERWISE SPECIFIED:		APPV: XIANG XU 07JUN2016	NAME: H24BPR-TSHC-PG/M-EMC-C
0 PLC ±	1 PLC ±	PRODUCT SPEC	SIZE: A1
2 PLC ±	3 PLC ±	APPLICATION SPEC	CAGE CODE: -
4 PLC ±	ANGLES ±	FINISH	DRAWING NO: T191224XXXXX09
MATERIAL: -	FINISH: -	WEIGHT: -	RESTRICTED TO: -
CUSTOMER DRAWING			SCALE: 1:1 SHEET 1 OF 1 REV B

Printed on 7 Jun 2021 15:34 (China Standard Time) from T1912240140

单击下面可查看定价，库存，交付和生命周期等信息

[>>TE Connectivity\(泰科\)](#)