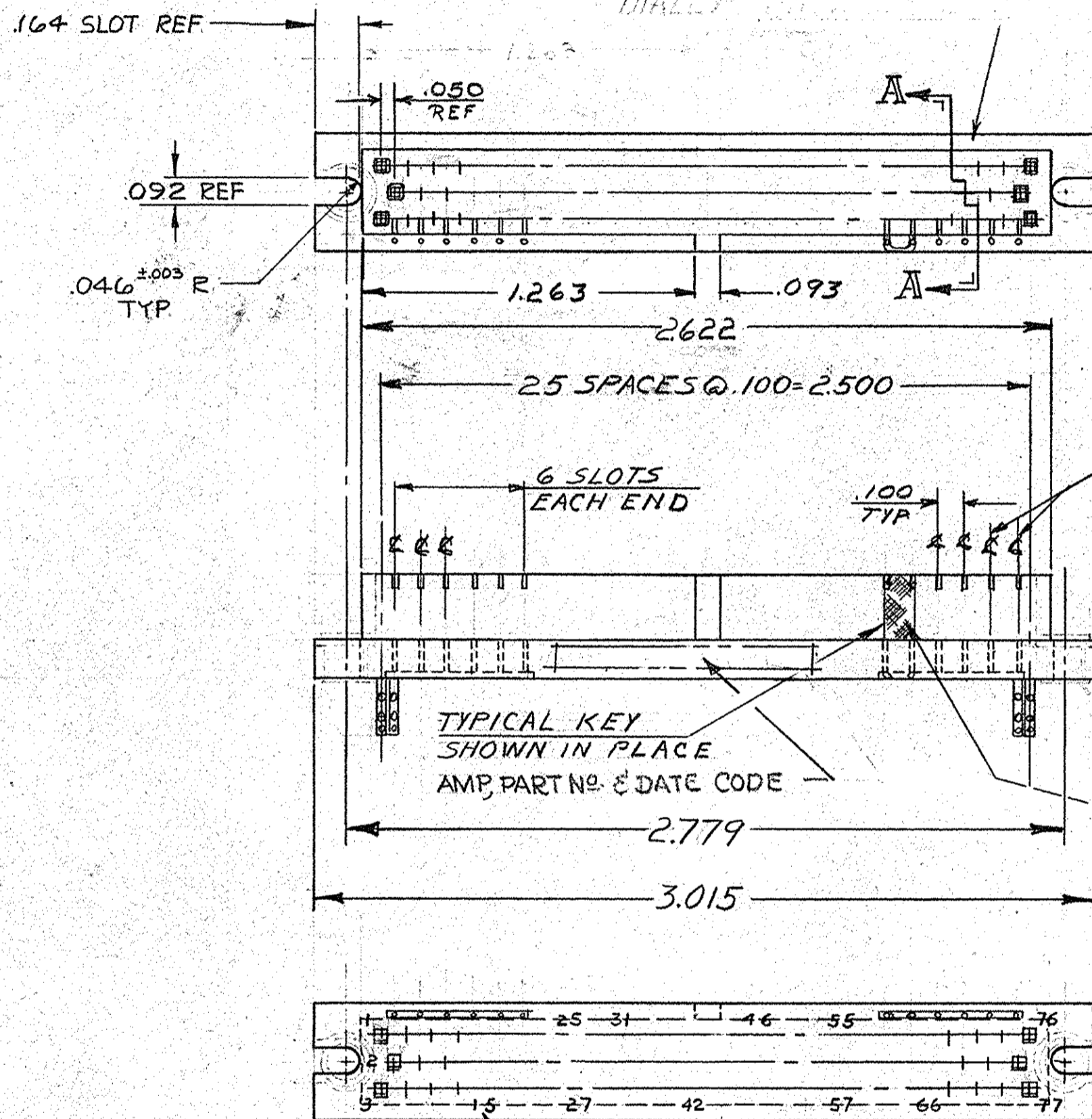


© 1964 BY AMP INCORPORATED. ALL RIGHTS RESERVED. AMP PRODUCTS COVERED BY PATENTS AND/OR PATENTS PENDING. APPROVED PER GOVT CONTRACT NO.

583227-1 1. AS SHOWN.
 583227-2 1. SAME AS 1 EXCEPT
 2. **OBSOLETE** PART NO. 469-112
 583227-3 1. SAME AS 1 EXCEPT
 2. **OBSOLETE** OVER .0005 NICKEL PLATING FOR CONTACTS.
 583227-4 1. SAME AS 1 EXCEPT ADDITIONAL
 2. **OBSOLETE** PART NO. 10579 (1J109-3)

REVISIONS				
ZONE	LTR	DESCRIPTION	DATE	APPROVED
	O	RELEASED, WAS 5087-129	D.R.	12-19-66 D.H.
	A	REVISED	1180	2-6-67 M.S. D.H.
	B	REVISED	1235	3-17-67 M.S. D.H.
	B1	ADD -3	2268	10-15-69 M.S. RF
	C	REVISED	3163	8-27-71 M.S. D.H.
	C1	ADDED - 4	4990	12-7-76 M.S.
	D	REVISED FINISH	7229 MS	2-27-81 R.O.
	D1	REVISED PER ECM AB-0784	RDB	5-6-85 R.P.
	E	ECN AB-2228	W.P.	3-87 R.P.
	F	REV PER DFO083	J.S.	10-23-87 R.P.
	G	REV PER DF-0117	J.S.	9/88 R.P.
	H	REV PER ECO-05-013228		11-06 P.Y.

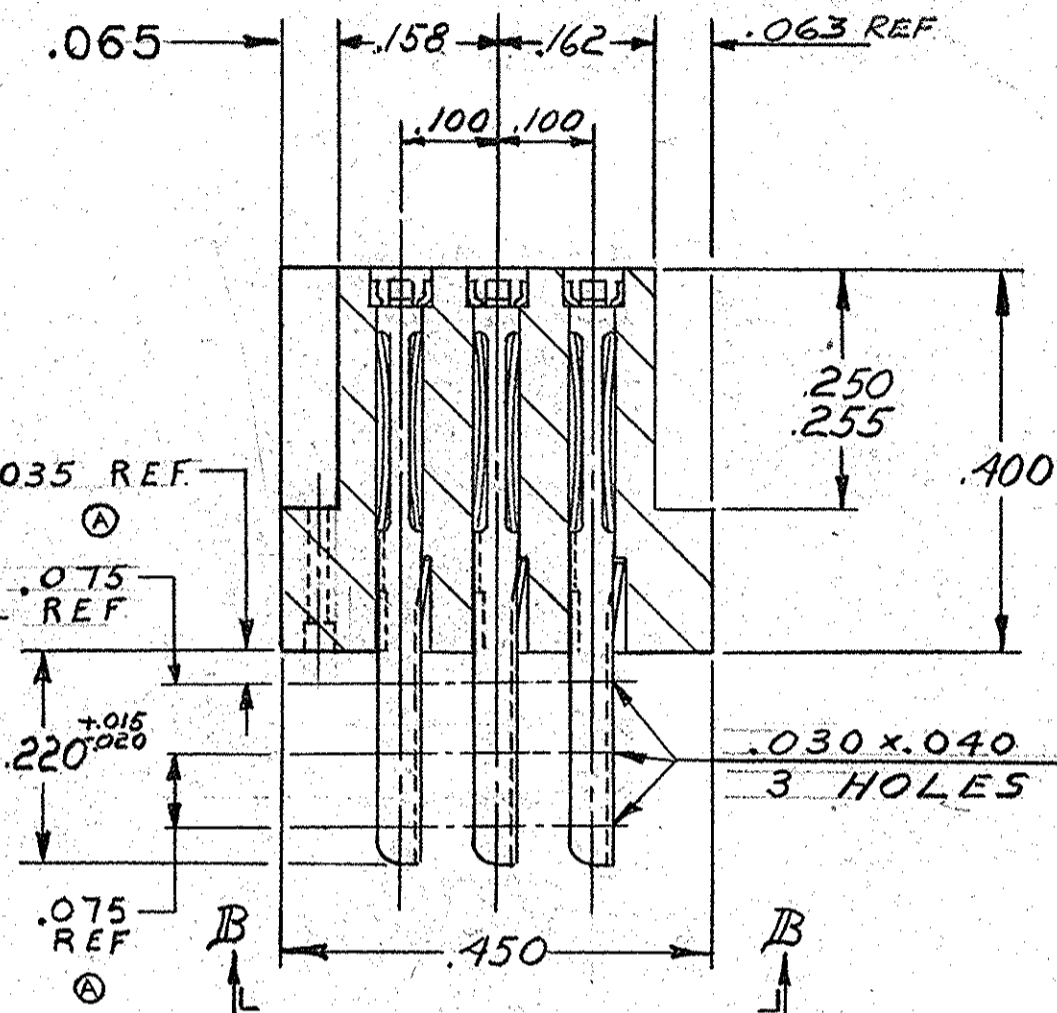


KEYS OF KEYING LOCATIONS
 SLOTS 1/8 MIN. WIDTH x 1/4 MIN. DEPTH TO BE PROVIDED IN DAUGHTER BOARD BY CUSTOMER.

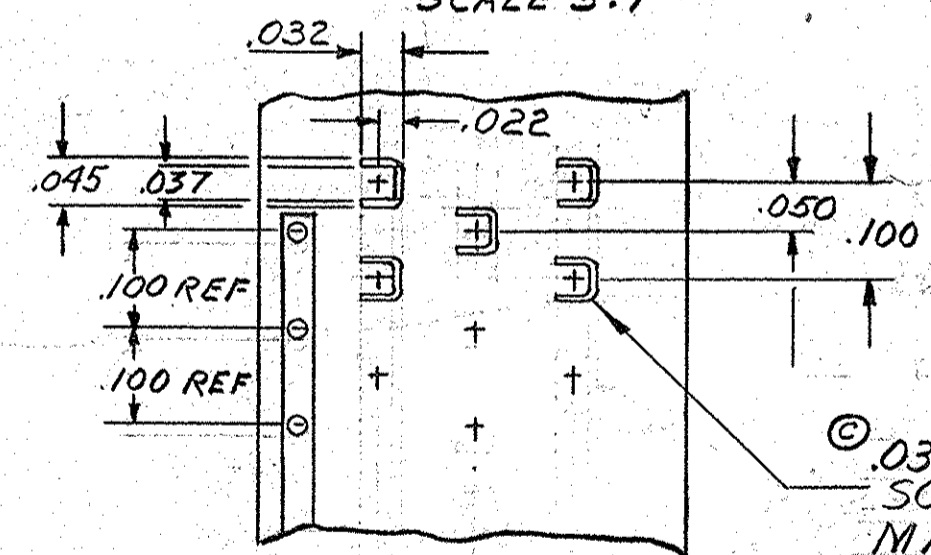
CUSTOMER TO CRIMP KEYS IN BLOCK AS REQ'D

Ⓢ RAISED CHARACTERS

1. MEETS ALL APPLICABLE REQUIREMENTS OF MIL-C-55302.



SECT A-A
SCALE 5:1



VIEW B-B
SCALE 5:1

Ⓢ .032 x .045 CHANNEL SOLDERING TABS
 MAT'L: BeCu OR COPPER-NICKEL-SILICONE
 PLATING: Au OVER Ni IN CONTACT AREA, TIN-LEAD OVER NICKEL IN TAIL AREA

UNLESS OTHERWISE SPECIFIED DIMENSIONS ARE IN INCHES TOLERANCES ON		CONTRACT NO.		AMP INCORPORATED® HARRISBURG, PENNSYLVANIA	
FRACTIONS ±	DECIMALS ± .005	ANGLES ±	DR T. D. Desso	DATE 12-8-66	NAME 77-POSITION RECEPTACLE ASSEMBLY
MATERIAL HSG: DIALLYL PHTHALATE	HEAT TREAT	FINISH	CHK D.S.H.	DATE 12/20/66	
			DSGN ENGR F. B. Williford, Jr.	DATE 12-21-66	SIZE C
			APPD R. Hartman	DATE 12-21-66	CODE IDENT NO 00779
			DSGN APPD	OTHER APPD	NUMBER 583227
			SCALE 2:1		WT — CALC — ACTUAL — SHEET 1 of 1

AMP INFO
 LOC PRINT
 DF GED 5087

CUSTOMER DRAWING

CUST 583227

单击下面可查看定价，库存，交付和生命周期等信息

[>>TE Connectivity\(泰科\)](#)