

DO NOT SCALE

DIMENSIONS IN mm

METRIC

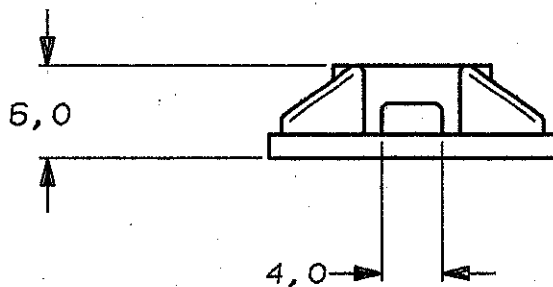
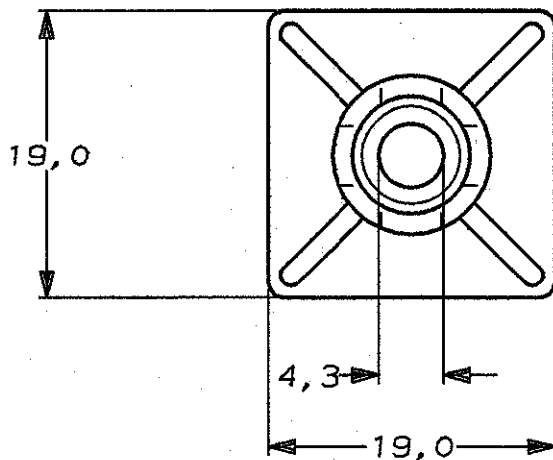
THIRD ANGLE

PROJECTION



NOTES:

- 1 MAX. CABLE TIE WIDTH 3,6.
- 2 TENSILE STRENGTH 210 kPa
- 3 APPL. TEMP. RANGE +5 - +50°C.



BLACK	POLYAMIDE 6/6	2-100733-2	100
NATURAL	POLYAMIDE 6/6	2-100733-1	100
FINISH	MATERIAL	PARTNUMBER	QTY

-	-	-	-	-
-	-	-	-	-
-	-	-	-	-
-	-	-	-	-
-	-	-	-	-
0	H-9856	R.D.	RV	14-08-92
LTR.	REVISION RECORD	DR.	CHK.	DATE

CUSTOMER DRAWING FOR REFERENCE ONLY
WILL NOT BE UPDATED

© COPYRIGHT 19- BY AMP HOLLAND B.V.
ALL INTERNATIONAL RIGHTS RESERVED. AMP PRODUCTS MAY BE
COVERED BY U.S. AND FOREIGN AND/OR PATENTS PENDING.

THIS DRAWING IS UNPUBLISHED
RELEASED FOR PUBLICATION _____, 19____

AMP | AMP HOLLAND B.V.
s-Hertogenbosch,
The Netherlands.

NAME
MOUNTING BASE.

DR.:	R. DAAMEN	CHK.:	R. VOS.	APP.:	L.V. SOEST.	DWG. No.	REV. LTR.	SHEET
DATE:	14-08-92	DATE:	-	DATE:	-	C-100733	0	1 OF 1

单击下面可查看定价，库存，交付和生命周期等信息

[>>TE Connectivity\(泰科\)](#)