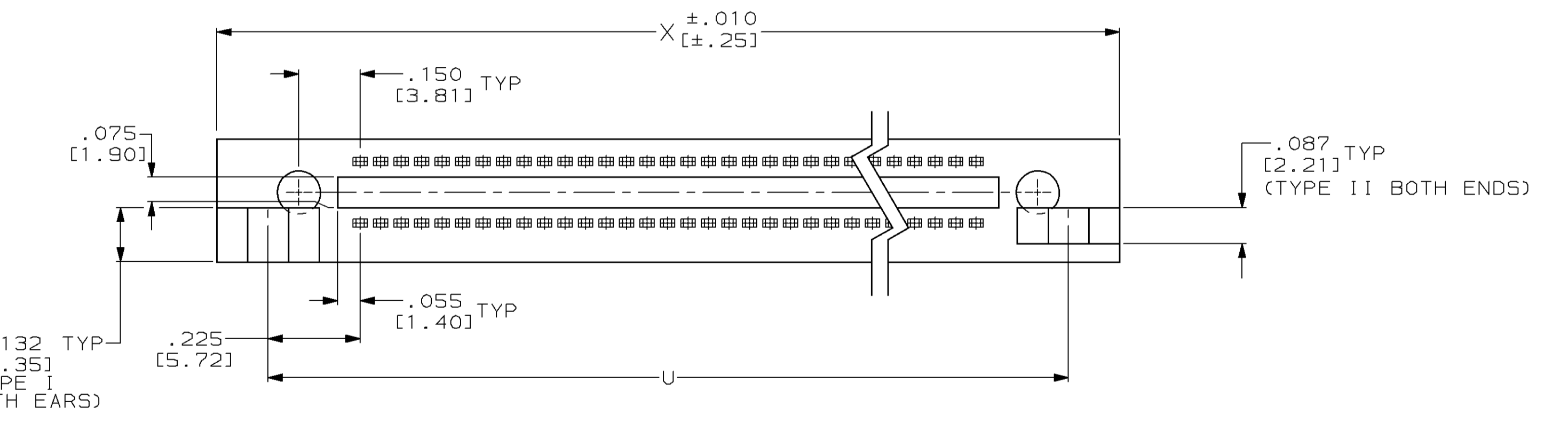
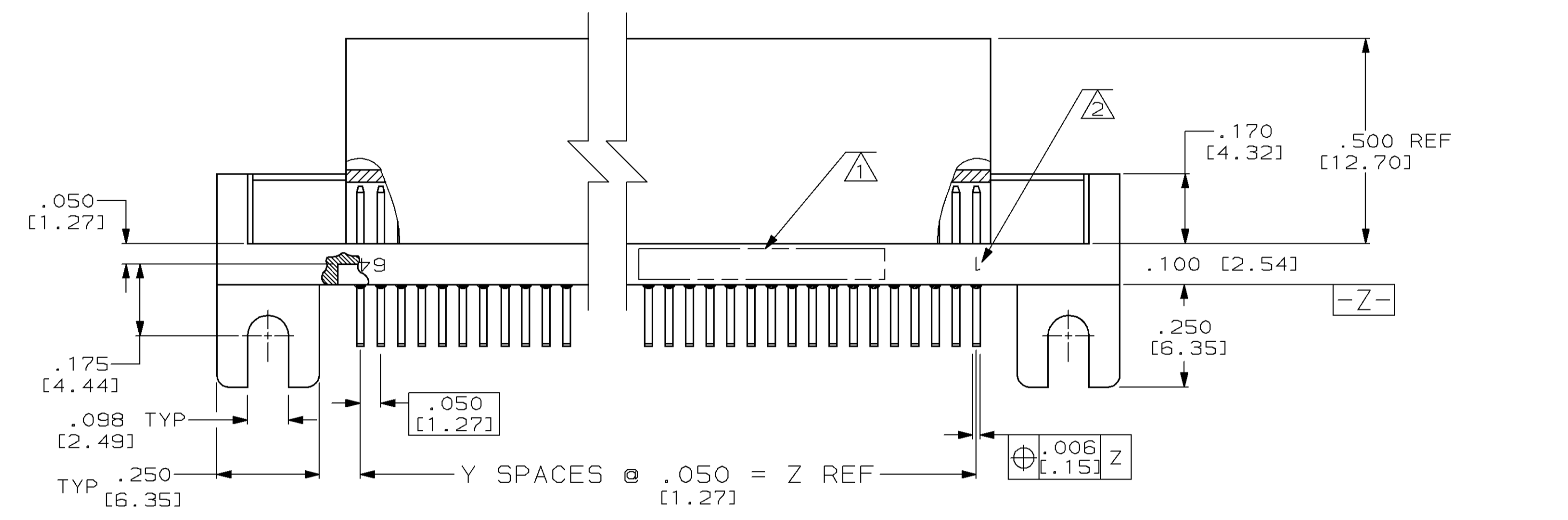
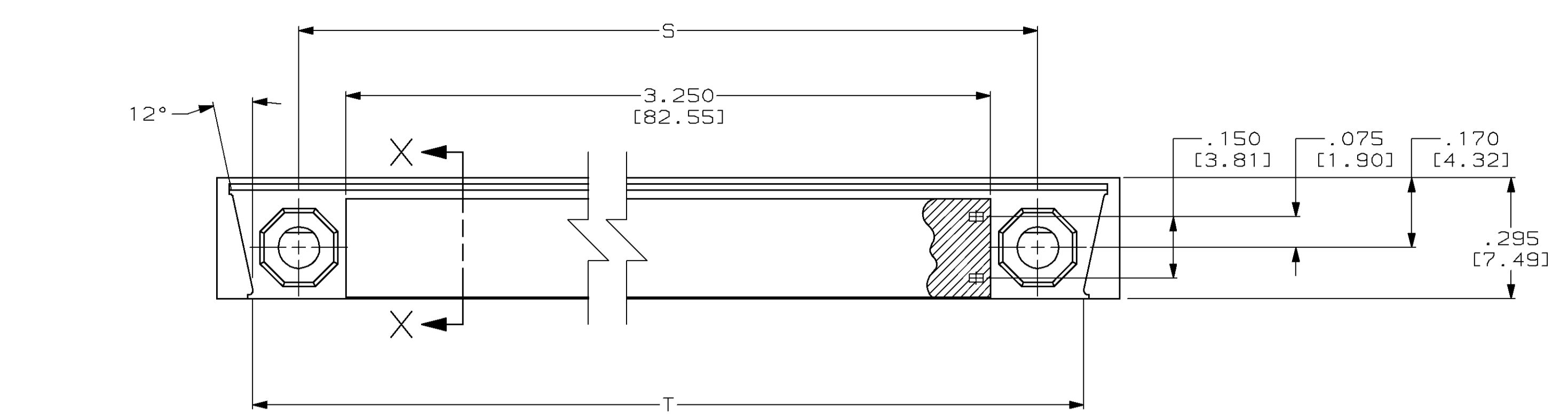
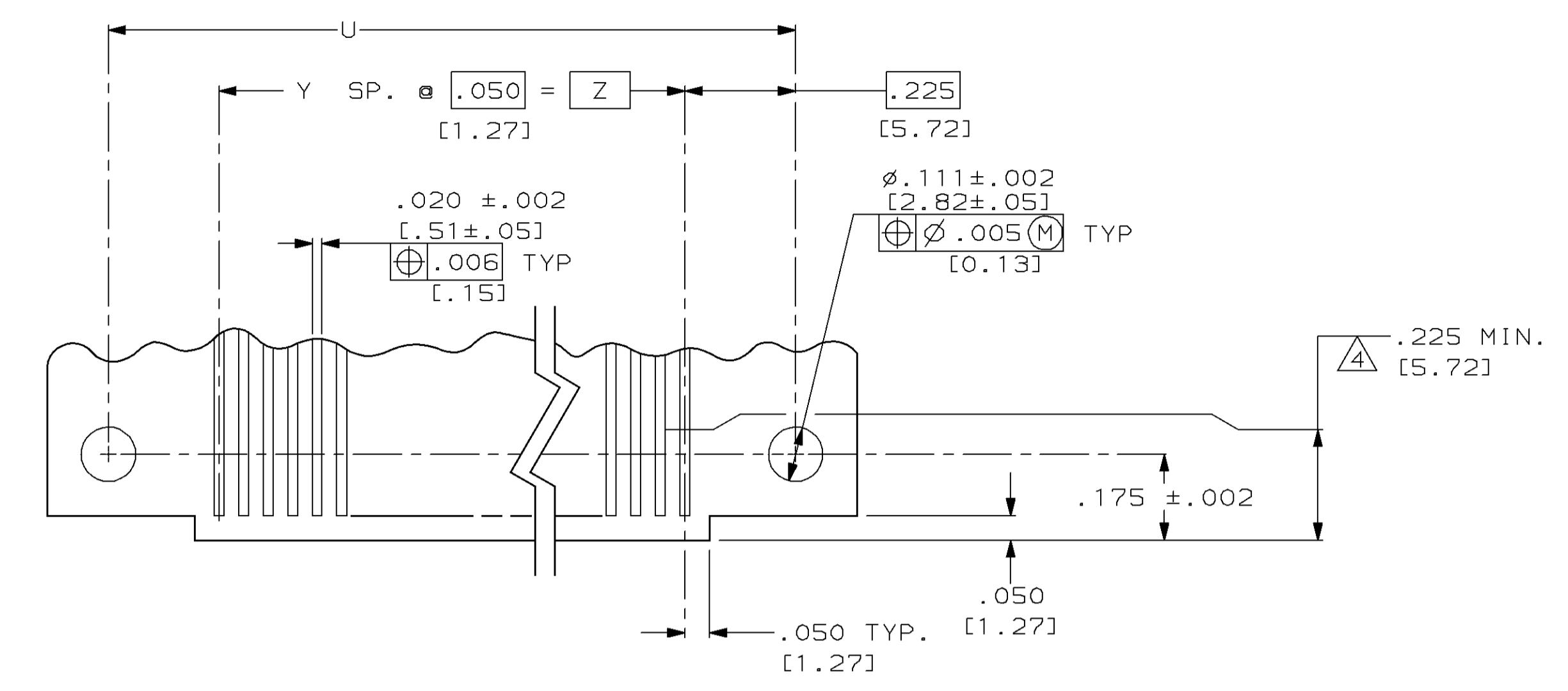


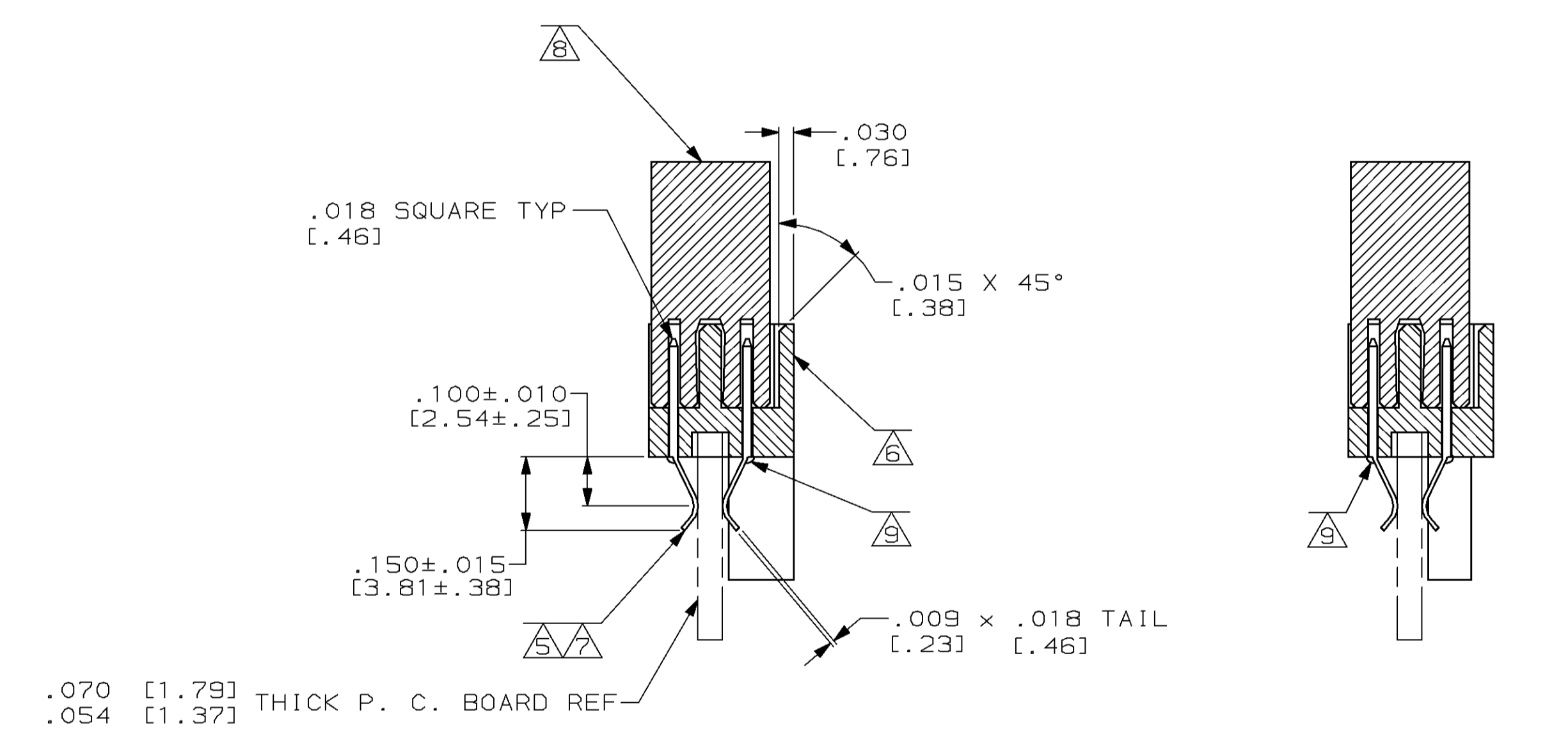
| PROJ | LOC | Q1ST | P | F | ZONE | LTR | DESCRIPTION          | DATE | APPD |    |
|------|-----|------|---|---|------|-----|----------------------|------|------|----|
| 5327 | DF  | F0   |   |   |      |     | REV PER 0600-6175-97 | CT   | 9-97 | DG |



- △ CUSTOMER P/N, 00779 AND DATE CODE INK STAMPED IN THIS APPROXIMATE AREA.
- △ NUMBERS INDICATING END POSITIONS STAMPED THIS SIDE ONLY.
- 3. MEETS ALL APPLICABLE REQUIREMENTS OF MIL-C-55302.
- △ MINIMUM PAD LENGTH ON CIRCUIT BOARD.
- △ CONTACT FINISH: TABS TIN-LEAD PLATED FOR SOLDERABILITY OVER NICKEL PER MIL-C-55302.
- △ HOUSING MATERIAL: LIQUID CRYSTAL POLYMER PER MIL-M-24519, GLCP-30F; COLOR: GRAY.
- △ CONTACT MATERIAL: BRASS
- △ PIN PROTECTOR MATERIAL: VELOSTAT OR EQUIVALENT LOW STATIC OR ANTI-STATIC POLYETHYLENE. COLOR: PINK
- △ EPOXY SEALANT IS ADDED TO HOUSING WHERE CONTACTS EMERGE FROM HOUSING.



RECM. P.C. BD. LAYOUT



|      |                      |               |    |               |               |               |               |              |             |
|------|----------------------|---------------|----|---------------|---------------|---------------|---------------|--------------|-------------|
| II   | 09344S0CNPC78667-2   | 3.150 [80.01] | 63 | 3.850 [97.79] | 3.600 [91.44] | 3.670 [93.22] | 3.450 [87.63] | 128          | 532046-2    |
| I    | 09344/PC78667-1      | 3.150 [80.01] | 63 | 3.850 [97.79] | 3.600 [91.44] | 3.670 [93.22] | 3.450 [87.63] | 128          | 532046-1    |
| TYPE | CUSTOMER PART NUMBER | Z             | Y  | X             | U             | T             | S             | NO. OF POSN. | PART NUMBER |

DO NOT SCALE PRINT. UNLESS SPECIFIED DIMENSIONS IN INCHES [mm] TOLERANCES ON + 2 PLC DEC ± .005 [0.13] ANGLES ± 0° 30'

DR 3-12-90 T. WIEST  
 CHK 12-31-91 D. GUTTER  
 APPD 12-31-91 D. GUTTER  
 APPD 12-31-91 D. GUTTER

CONTACT: BRASS  
 HOUSING: △

FINISH

AMP INCORPORATED  
 Harrisburg, Pa. 17105

NAME  
 MINI BOX, PIN HEADER,  
 EDGE MOUNT,  
 CONNECTOR ASSEMBLY

SIZE D  
 FSCM NO 00779  
 DRAWING NO 532046

SCALE 4:1  
 SHEET 1 OF 1

单击下面可查看定价，库存，交付和生命周期等信息

[>>TE Connectivity\(泰科\)](#)