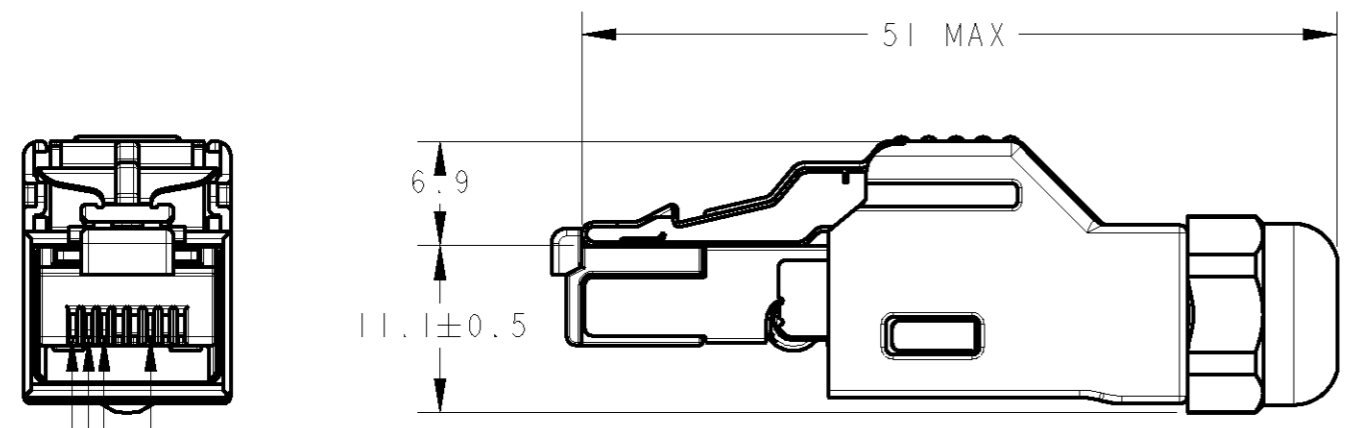


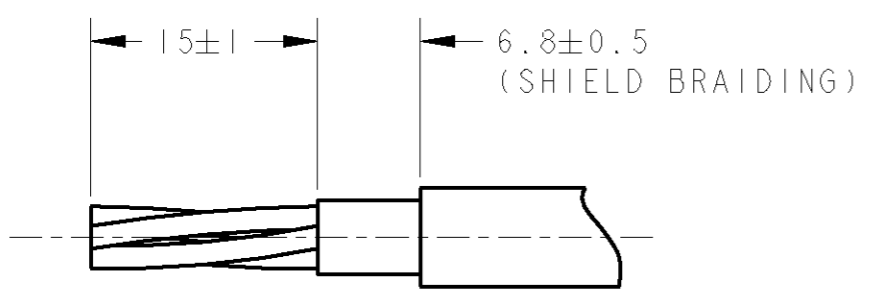
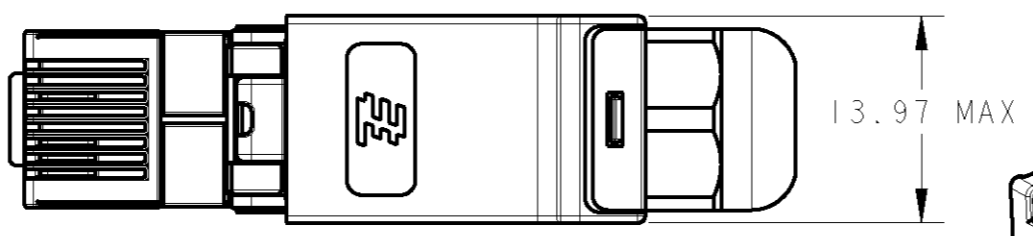
THIS DRAWING IS UNPUBLISHED. RELEASED FOR PUBLICATION 20
 © COPYRIGHT 20 BY TYCO ELECTRONICS CORPORATION. ALL RIGHTS RESERVED.

LOC	DIST	REVISIONS					
J	-	P	LTR	DESCRIPTION	DATE	DWN	APVD
		A		RELEASED	18AUG2006	J. A	D. M
		B		REVISED	05DEC2008	T. S	A. O

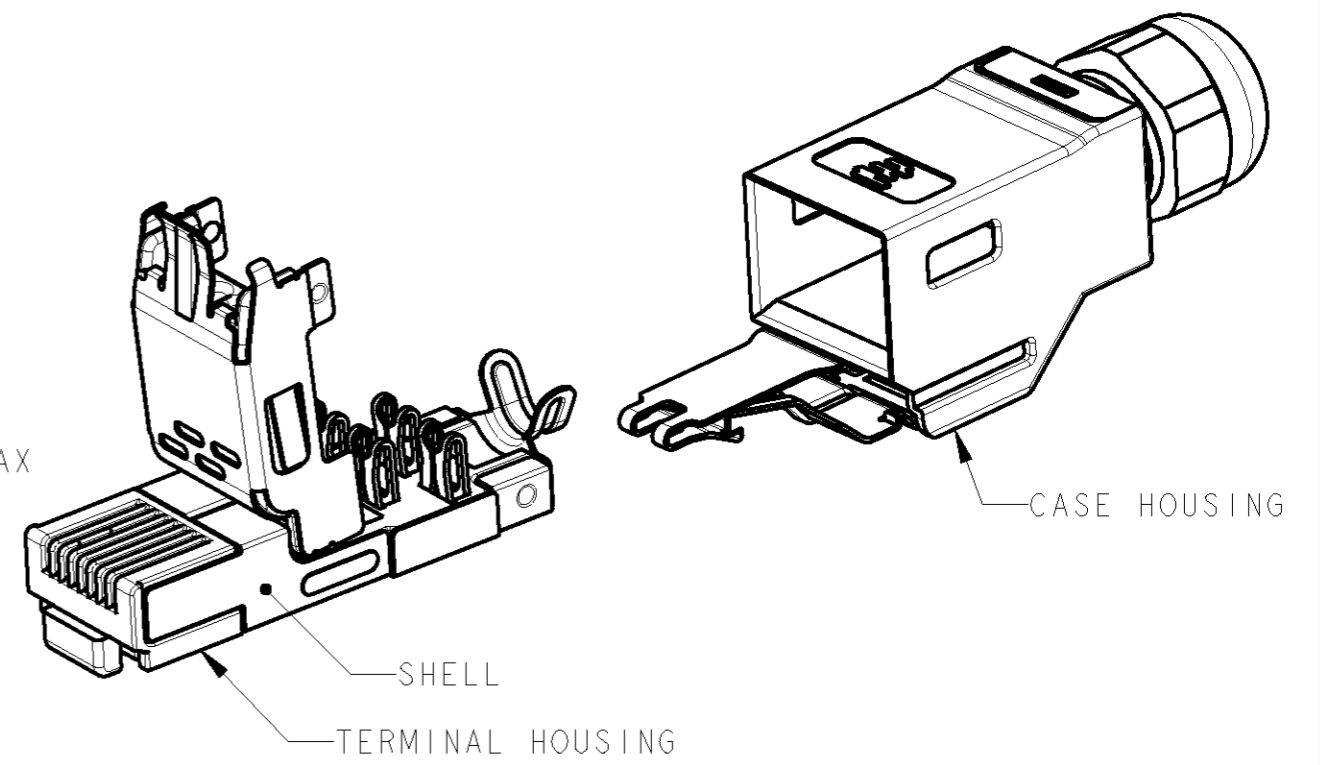
- 1: AS SHOWN



CONTACT 6
 CONTACT 3
 CONTACT 2
 CONTACT 1



RECOMMENDED STRIPPING LENGTH



1. MATERIAL : CASE HOUSING-POLYCARBONATE.
 TERMINAL HOUSING-NYLON.
 CONTACT-COPPER ALLOY.
 SHELL-COPPER ALLOY.
 2. FINISH : CONTACT-UNDERPLATE: Ni
 CONTACT AREA: Au
 SHELL: Ni

COLOR ALLOCATION OF TERMINAL WIRE TO RJ45 CONTACT

CONTACT NO.	WIRE COLOR
1	YELLOW
2	ORANGE
3	WHITE
6	BLUE

THIS DRAWING IS A CONTROLLED DOCUMENT FOR TYCO ELECTRONICS CORPORATION. IT IS SUBJECT TO CHANGE AND THE CONTROLLING ENGINEERING ORGANIZATION SHOULD BE CONTACTED FOR THE LATEST REVISION.		DWN J. AKASAKA 29NOV2005	WIRE RANGE 抱合電線断面積 -		INSULATION DIA 被覆外径 ø 6.5													
DIMENSIONS: 単位: 雫 mm		CHK D. MITSUGI IDEC2005	Tyco Electronics AMP K.K. Kawasaki, Japan															
TOLERANCES UNLESS OTHERWISE SPECIFIED: 一般公差 ± 0.3		APVD D. MITSUGI IDEC2005	NAME 名称 RJ 45 CONNECTOR INDUSTRIAL ETHERNET IP20 4POS 180DEG															
<table border="1"> <tr><td>0-PLC</td><td>±</td></tr> <tr><td>1-PLC</td><td>±</td></tr> <tr><td>2-PLC</td><td>±</td></tr> <tr><td>3-PLC</td><td>±</td></tr> <tr><td>4-PLC</td><td>±</td></tr> <tr><td>ANGLES</td><td>±3</td></tr> </table>		0-PLC	±	1-PLC	±	2-PLC	±	3-PLC	±	4-PLC	±	ANGLES	±3	PRODUCT SPEC 108-78381	SIZE A3	CAGE CODE -	DRAWING NO C=1903526	RESTRICTED TO -
0-PLC	±																	
1-PLC	±																	
2-PLC	±																	
3-PLC	±																	
4-PLC	±																	
ANGLES	±3																	
MATERIAL 材料	FINISH 仕上	APPLICATION SPEC 取付適用規格 114-5402	WEIGHT -	SCALE 尺度 2:1	SHEET 1	OF 1												
CUSTOMER DRAWING			REV B															

单击下面可查看定价，库存，交付和生命周期等信息

[>>TE Connectivity\(泰科\)](#)