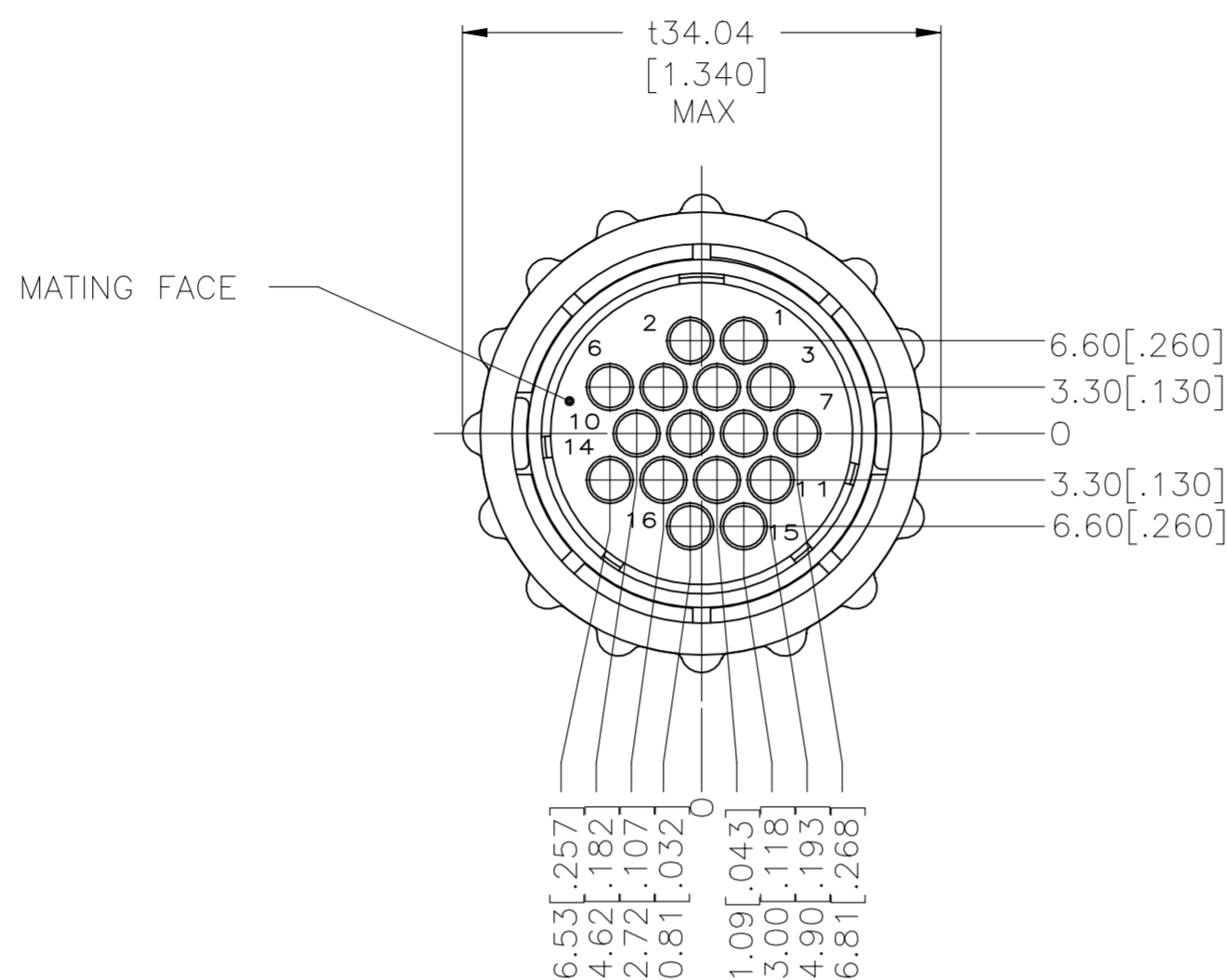
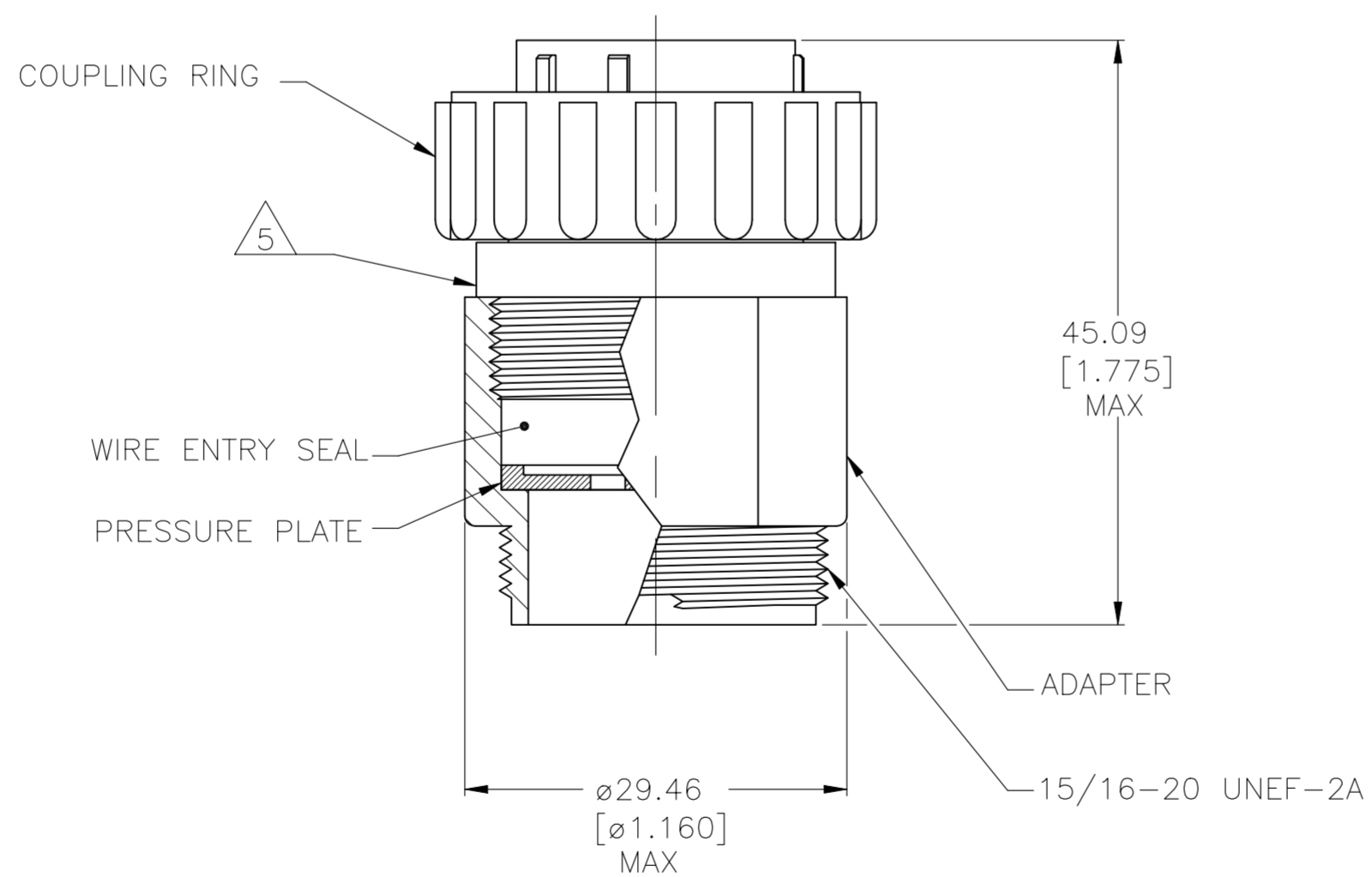


REVISIONS				
P	LTR	DESCRIPTION	DATE	APVD
G		REVISED PER ECO-21-006945	28OCT2021	RK MZ



- 1 HOUSING, ADAPTER AND PRESSURE PLATE: NYLON, BLACK.  
WIRE ENTRY SEAL: ELASTOMER, SEE TABLE.  
COUPLING RING: POLYPHENYLENE, BLACK.
- 2 CONNECTOR WILL ACCEPT (16) MULTIMATE SOCKET CONTACTS.
- 3 HOUSING, ADAPTOR AND COUPLING RING MATERIAL: POLYESTER, PBT.
- 4 METAL COUPLING RING.
- 5 TE LOGO AND 206037-1 PART NUMBER LOCATED ANYWHERE ON THIS SURFACE.



4	OBSOLETE	RED-IRON OXIDE	.065 - .100	STANDARD	—796274-4—
3	OBSOLETE	YELLOW	.040 - .080	SMALL	—796274-3—
1		YELLOW	.040 - .080	SMALL	796274-2
1		RED-IRON OXIDE	.065 - .100	STANDARD	796274-1
		SEAL COLOR	WIRE INSULATION DIAMETER RANGE	INSULATION	PART NUMBER

THIS DRAWING IS A CONTROLLED DOCUMENT.		DWN L. McEACHIN 27-JAN-2000		
DIMENSIONS: mm [INCHES]		CHK K. DOWHOWER 27-JAN-2000		
TOLERANCES UNLESS OTHERWISE SPECIFIED:		APVD K. DOWHOWER 27-JAN-2000	NAME ASSEMBLY, PLUG, STANDARD SEX, 17-16, STANDARD OR SMALL INSULATION DIA., SEALED	
0 PLC ± - 1 PLC ± - 2 PLC ± - 3 PLC ± - 4 PLC ± - ANGLES ± -		PRODUCT SPEC -	-	
MATERIAL -		FINISH -	WEIGHT -	RESTRICTED TO -
		CUSTOMER DRAWING	SCALE 2:1	SHEET 1 of 1
			DRAWING NO. A2 00779 C=796274	REV G

单击下面可查看定价，库存，交付和生命周期等信息

[>>TE Connectivity\(泰科\)](#)