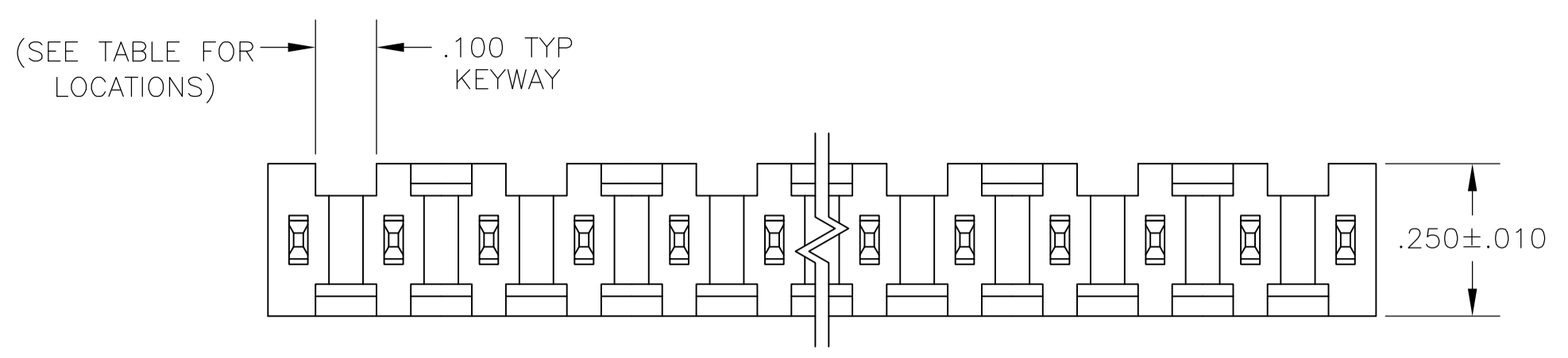
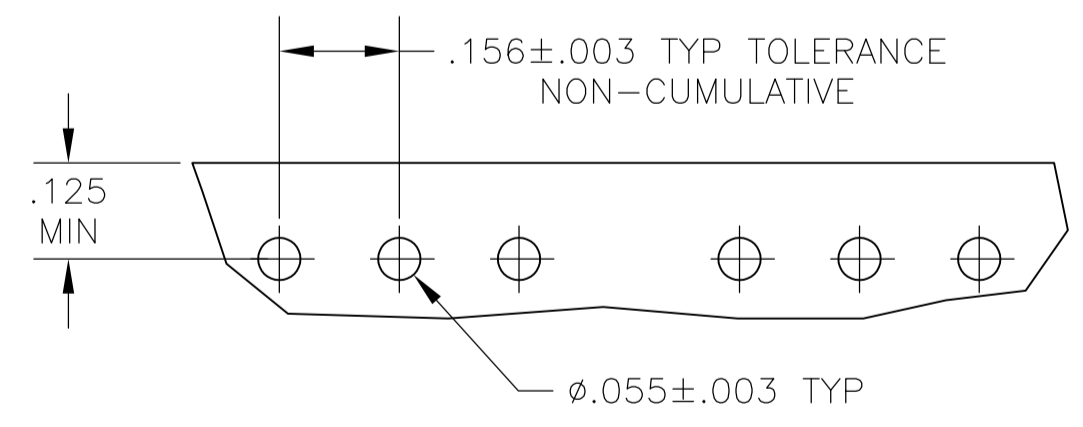
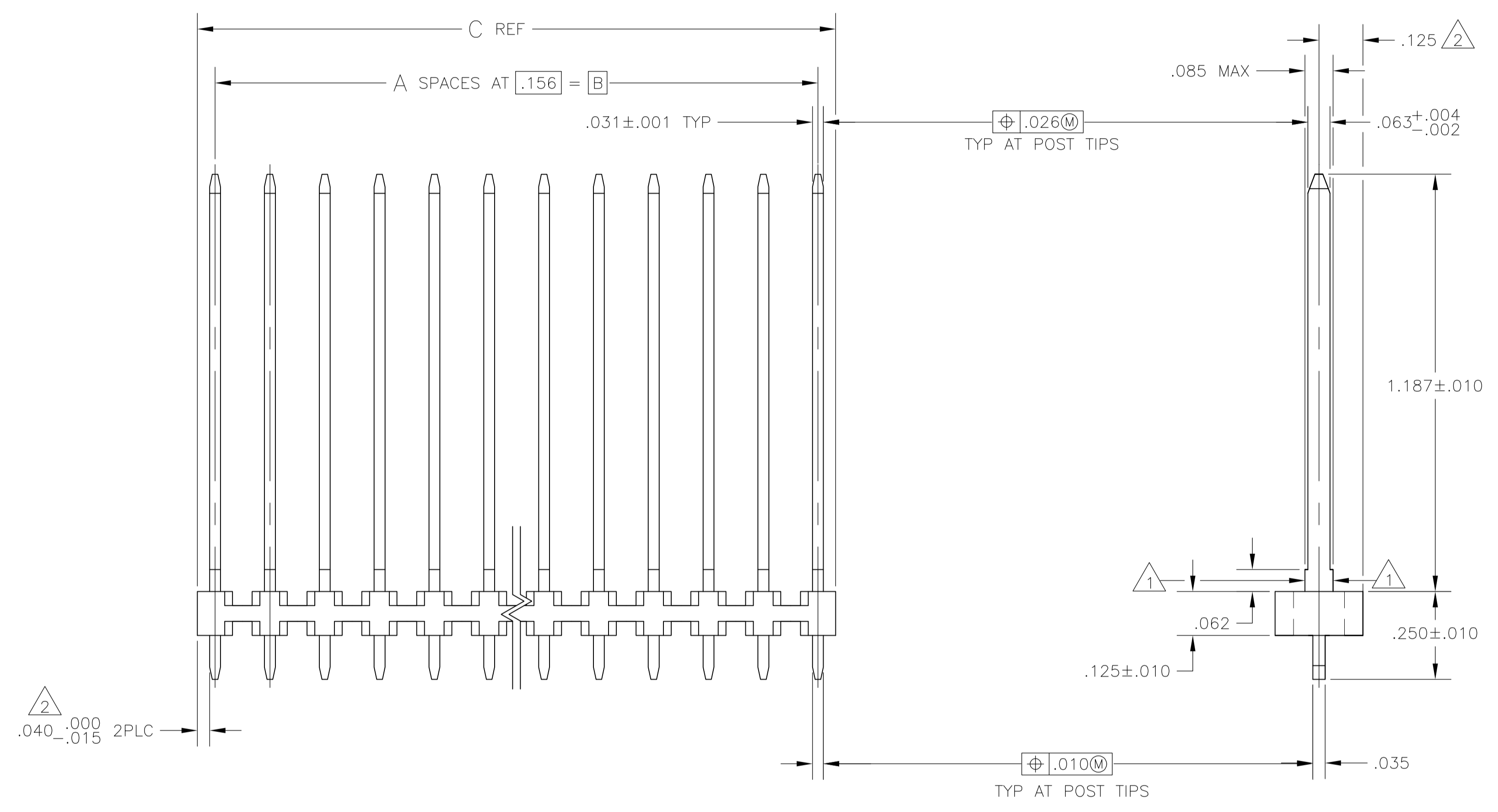


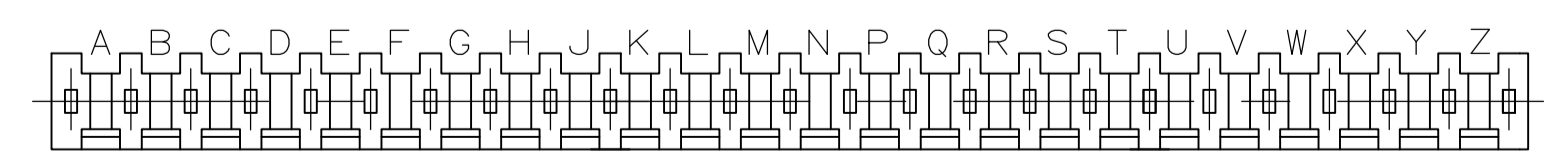
LOC		DIST		REVISIONS			
AD	39	REV	DATE	BY	CHK	APPV	
K1		REVISED PER ECO-08-017295	06NOV08	HMR		NE	
K2		REVISED PER ECO-09-020932	24AUG09	KK		AEG	



- 1 THESE SURFACES WILL NOT BE PLATED
- 2 THE NOTED DIMENSIONS APPLY AT THE INTERSECTION OF THE POST AND THE HOUSING
- 3 FINISH: POSTS: .000100 - .000200 TIN LEAD OVER .000030 MIN NICKEL
- 4 FINISH: POSTS: .000100 - .000200 MATTE TIN OVER .000030 MIN NICKEL
- 5 OBSOLETE PARTS: OBSOLETE CIS STREAMLINING PER D.RENAUD/D.SINISI



RECOMMENDED HOLE LAYOUT



KEYWAY LOCATIONS (REF-SEE TABLE)
 (MATING LENGTH OF POST ON NEAR SIDE)
 SCALE: 2:1

FINISH	KEYWAY LOCATIONS	NO OF KEYWAY	C	B	A	NO OF POSN	ASSEMBLY PART NUMBER
4	A,C	2	.579	.468	3	4	5-86207-9
4	A,D	2	.735	.624	4	5	5-86207-3
4	A	1	.423	.312	2	3	5-86207-2
OBSOLETE	A,C,E	3	1.047	.936	6	7	1-87207-0
3	A,C	2	.579	.468	3	4	87207-9
OBSOLETE	A	1	.267	.156	1	2	87207-8
OBSOLETE	NONE	0	5.415	5.304	34	35	87207-7
OBSOLETE	A,D,G	3	1.359	1.248	8	9	87207-6
OBSOLETE	A,C,E,G	4	1.203	1.092	7	8	86207-5
OBSOLETE	A,C,E	3	.891	.780	5	6	87207-4
OBSOLETE 5	A,D	2	.735	.624	4	5	86207-3
OBSOLETE	A	1	.423	.312	2	3	86207-2
OBSOLETE	A,C,E,G,J	5	1.515	1.404	9	10	86207-1

THIS DRAWING IS A CONTROLLED DOCUMENT.

DIMENSIONS: INCHES	TOLERANCES UNLESS OTHERWISE SPECIFIED:	DIN H. MOLL 11MAR88	23MAR88	Tyco Electronics Corporation Harrisburg, PA 17105-3608
0 PLC ± -	1 PLC ± -	2 PLC ± -	3 PLC ± .005	4 PLC ± -
ANGLES ± -	FINISH SEE TABLE	APVD E. TREECE 23MAR88	NAME	HEADER ASSEMBLY, MOD I, VERTICAL, SINGLE ROW, .156 C/L
MATERIAL: HOUSING - FLAME RETARDANT THERMOPLASTIC. COLOR - BLACK. POSTS - BRASS.	WEIGHT	SIZE: A1	CAGE CODE: 00779	DRAWING NO: 86207
		CUSTOMER DRAWING	SCALE: 4:1	SHEET 1 OF 1 REV K2

单击下面可查看定价，库存，交付和生命周期等信息

[>>TE Connectivity\(泰科\)](#)