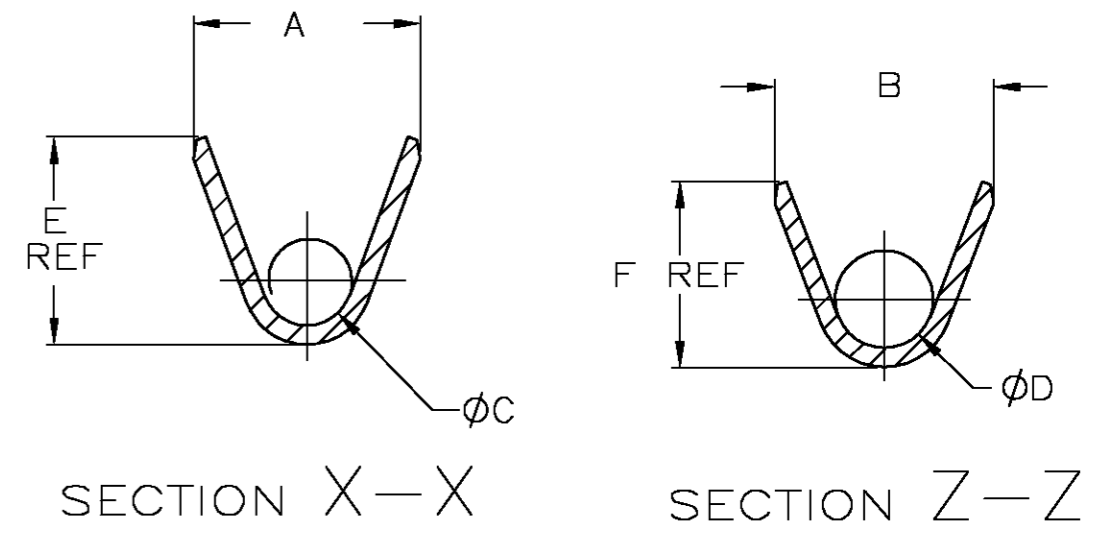
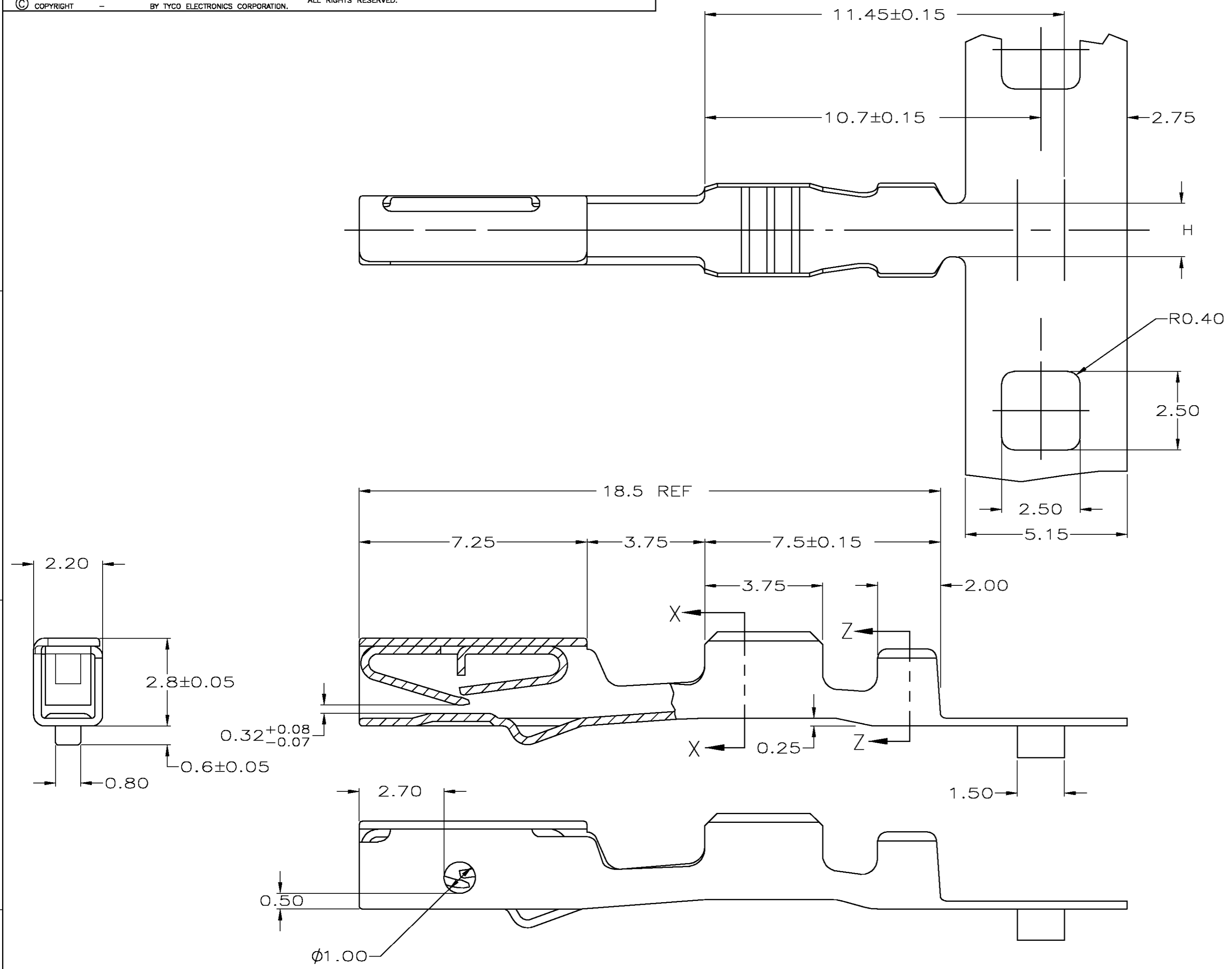


THIS DRAWING IS UNPUBLISHED. RELEASED FOR PUBLICATION
 © COPYRIGHT BY TYCO ELECTRONICS CORPORATION. ALL RIGHTS RESERVED.

LOC	DIST	REVISIONS				
P	LTR	DESCRIPTION	DATE	DWN	APVD	
FX	54	F	REVISED PER EC OK80-0038-04	11FEB2004	DLD	CBP



1 MATERIAL: 0.25 THK COPPER ALLOY, PRE-PLATED WITH 0.00076 MIN THK BRIGHT TIN.

638009-2 REELED LEFT TO RIGHT, OFF TOP, CARRIER INSIDE									638009-6
638009-1 REELED LEFT TO RIGHT, OFF TOP, CARRIER INSIDE									638009-5
1.6	1.80	2.04	1.45	0.90	2.40	2.30	0.35	22	638009-2
1.6	1.80	2.04	1.45	0.90	2.40	2.30	0.34-0.36		
1.7	2.46	2.75	1.30	1.20	2.90	3.00	0.50	18-20	638009-1
1.7	2.46	2.75	1.30	1.20	2.90	3.00	0.75		
1.7	2.46	2.75	1.30	1.20	2.90	3.00	1.00		
1.7	2.46	2.75	1.30	1.20	2.90	3.00	--		
H	F	E	D	C	B	A	METRIC WIRE SIZE	AWG	PART NUMBER

THIS DRAWING IS A CONTROLLED DOCUMENT.

DWN	d. marpoe	6/10/94
CHK	H. BECK	12/4/95
APVD	H. BECK	12/4/95
PRODUCT SPEC	RECEPTACLE CONTACT, DUAL BEAM	
APPLICATION SPEC	114-6063	SIZE A2
WEIGHT	-	CAGE CODE 00779
CUSTOMER DRAWING		DRAWING NO C=638009
SCALE 4:1		SHEET 1 OF 1
REV F		RESTRICTED TO -

THIS TYCO PROPRIETARY INFORMATION IS CONFIDENTIAL AND IS DISCLOSED TO YOU ON CONDITION THAT NO FURTHER DISCLOSURE IS MADE BY YOU TO ANYONE OTHER THAN TYCO PERSONNEL WITHOUT WRITTEN AUTHORIZATION FROM TYCO ELECTRONICS, HARRISBURG, PA.

单击下面可查看定价，库存，交付和生命周期等信息

[>>TE Connectivity\(泰科\)](#)