

4

3

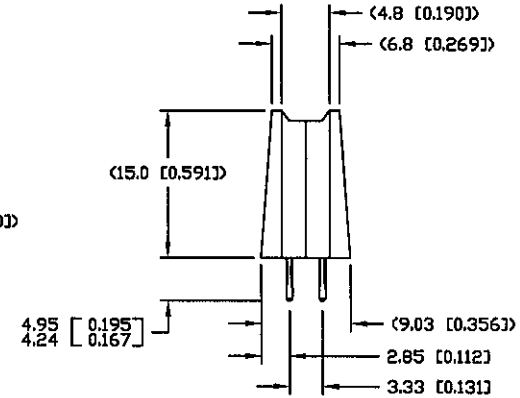
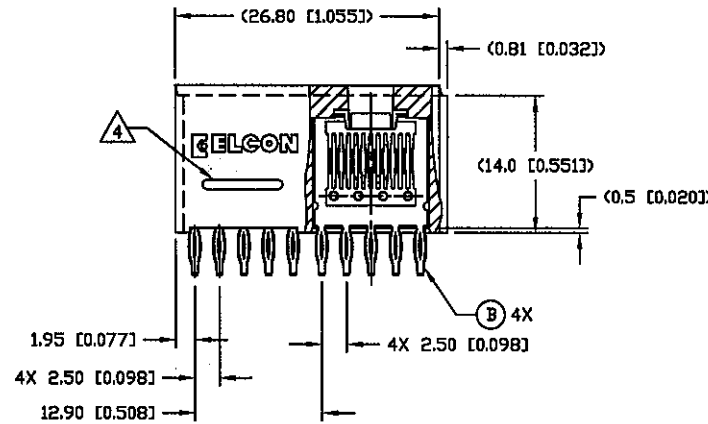
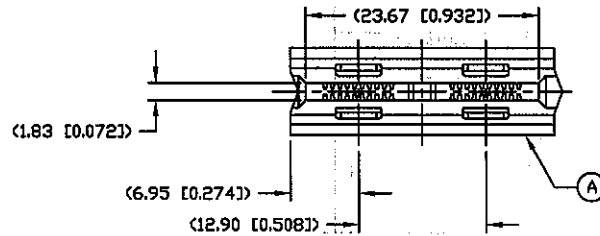
2

1

THIS DRAWING IS UNPUBLISHED. RELEASED FOR PUBLICATION  
© COPYRIGHT BY TYCO ELECTRONICS CORPORATION. ALL RIGHTS RESERVED.

LOG GP 00  
DIST 00

REVISIONS					
P	LTR	DESCRIPTION	DATE	DWN	APVD
A		NEW RELEASE	20MAR07	RG	DO
A1		REVISED PER ECO-15-003416	09MAR2015	AP	DD

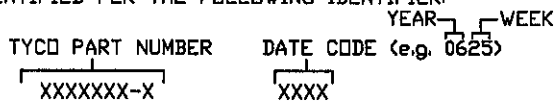


1. PART NUMBER CHANGES AND OR DESIGN CHANGES AFFECTING ITEM INTERCHANGEABILITY REQUIRE PRIOR ELCON APPROVAL AND AUTHORIZATION BY REVISION TO THIS DRAWING.

2. MATERIALS:  
INSULATOR: THERMOPLASTIC, GLASS REINFORCED, UL94V-0 FLAMMABILITY RATED, COLOR-BLACK  
CROWN HOLDER: COPPER ALLOY  
CROWN BAND: COPPER ALLOY

3. FINISHES:  
CROWN HOLDER: GOLD PLATED, .000030 MIN THICK WITH OVERALL GOLD FLASH  
OVER NICKEL PLATED, .000040 MIN THICK

4 ITEMS PROVIDED TO THIS SPECIFICATION TO BE PERMANENTLY IDENTIFIED PER THE FOLLOWING IDENTIFIER:



4	1766100-1	SA CROWN BAND HOLDER, STRAIGHT COMPLIANT, HP	B
1	1650630-1	HSG, STRAIGHT, 2 POSN POWER, W/D MOUNTING	A
-1	PART NO.	DESCRIPTION	ITEM

THIS DRAWING IS A CONTROLLED DOCUMENT.		DWN R.GRZYBOWSKI 20MAR07	<b>STE</b> TE Connectivity	
		CHK D.ORRIS 20MAR07		
		APVD S.FLICKINGER 20MAR07	NAME	
DIMENSIONS: mm		PRODUCT SPEC		
TOLERANCES UNLESS OTHERWISE SPECIFIED:		APPLICATION SPEC		
0 PLC ± -		SIZE		
1 PLC ± .3 [0.12]		CAGE CODE		
2 PLC ± .10 [0.008]		DRAWING NO		
3 PLC ± -		RESTRICTED TO		
4 PLC ± -		A300779 C=6651331		
ANGLE ± .5		SCALE 2:1		
MATERIAL FINISH		SHEET 1 of 2		
		REV A1		
		CUSTOMER DRAWING		

4

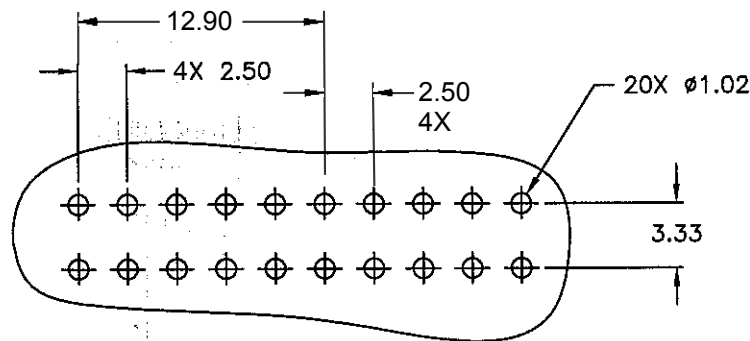
3

2

1

THIS DRAWING IS UNPUBLISHED. RELEASED FOR PUBLICATION  
 © COPYRIGHT BY TYCO ELECTRONICS CORPORATION. ALL RIGHTS RESERVED.

LDC		DIST		REVISIONS				
P	LTR	DESCRIPTION	DATE	DWN	APVD			
GP	00	SEE SHEET 1	-	-	-			



P.C. BOARD LAYOUT  
 COMPONENT SIDE  
 SCALE 4:1

THIS DRAWING IS A CONTROLLED DOCUMENT.		DWN R.GRZYBOWSKI 20MAR07		
		CHK D.ORRIS 20MAR07		
DIMENSIONS: mm	TOLERANCES UNLESS OTHERWISE SPECIFIED:	APVD S.FLICKINGER 20MAR07	NAME SOCKET CONNECTOR, STRAIGHT, 2 SEG., 4 PWR COMPLIANT TAIL, HOT PLUUG CROWN EDGE	
	0 PLC ± - 1 PLC ± .012 2 PLC ± .18 [ .008] 3 PLC ± - 4 PLC ± - ANGLES ± .5	PRODUCT SPEC APPLICATION SPEC	SIZE A3	CAGE CODE 00779
MATERIAL	FINISH	WEIGHT	DRAWING NO C-6651331	RESTRICTED TO
		CUSTOMER DRAWING	SCALE 2:1	SHEET 2 of 2

单击下面可查看定价，库存，交付和生命周期等信息

[>>TE Connectivity\(泰科\)](#)