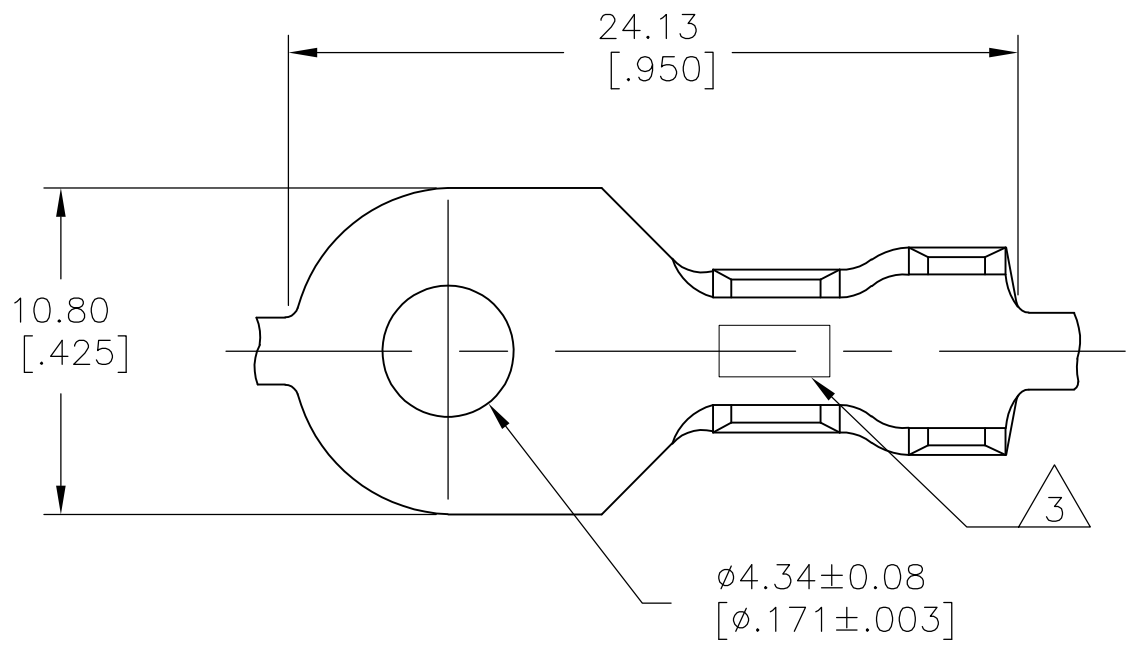
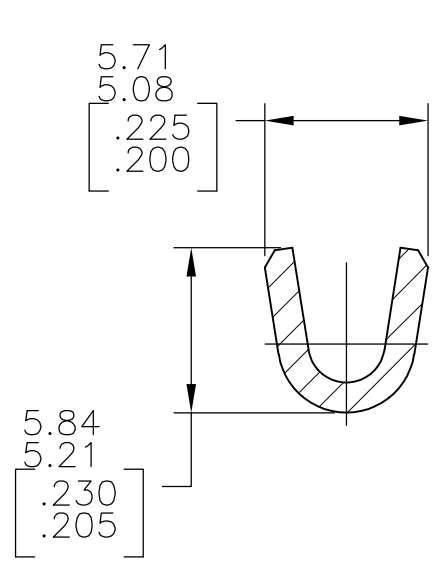
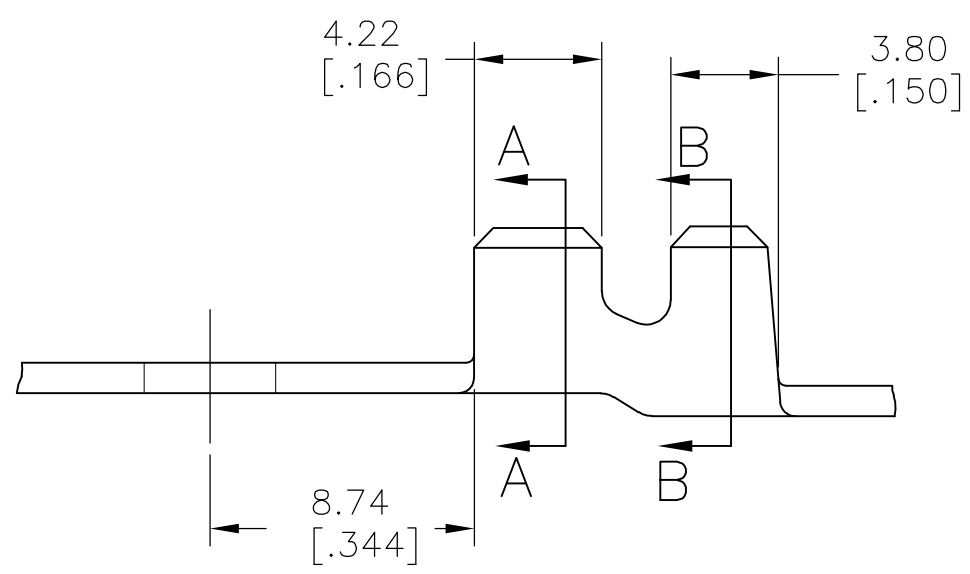


THIS DRAWING IS UNPUBLISHED. RELEASED FOR PUBLICATION
 © COPYRIGHT BY TYCO ELECTRONICS CORPORATION. ALL INTERNATIONAL RIGHTS RESERVED.

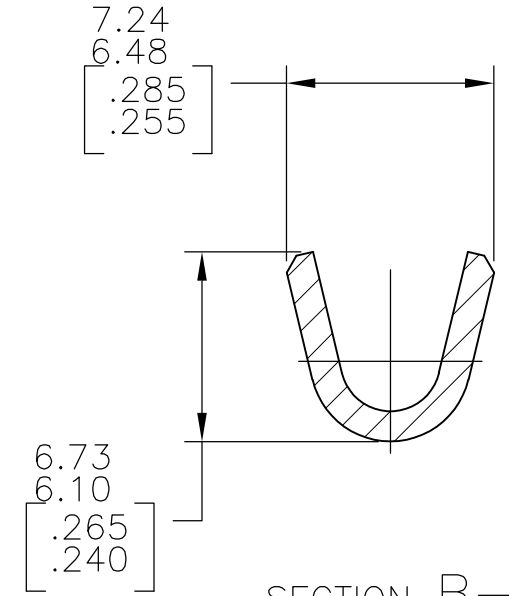
LOC	DIST	REVISIONS					
AF	50	P	LTR	DESCRIPTION	DATE	DWN	APVD
			Z1	REVISED PER ECR-09-000368	20JAN09	HMR	DD



- 1 CONTINUOUS STRIP ON REELS
- 2 DIMENSIONS IN BRACKETS ARE IN INCHES
- △ 3 STAMPING: AMP FOR 40605-1
AMP* FOR 40605-2



SECTION A-A



SECTION B-B

OBSOLETE	M-4	2.0-3.0mm ²	3.30-4.57	TIN	1.02[.040] PHOS BRZ	40605-2
	* 8	[14-12]	[.130-.180]	TIN	1.02[.040] BRASS	40605-1
				NONE		40605
	STUD SIZE	WIRE RANGE	INSULATION RANGE	FINISH	MATERIAL	PART NO

THIS DRAWING IS A CONTROLLED DOCUMENT.		DWN RAGHAVENDRA 20JAN2009	Tyco Electronics Corporation Harrisburg, PA 17105-3608			
DIMENSIONS: mm [INCHES]		CHK DON DECKER 20JAN2009	NAME			
TOLERANCES UNLESS OTHERWISE SPECIFIED:		APVD DON DECKER 20JAN2009	PRODUCT SPEC			
0 PLC ± - 1 PLC ± - 2 PLC ± - 3 PLC ± .038[.015] 4 PLC ± - ANGLES ±		APPLICATION SPEC		TERMINAL, RING		
MATERIAL SEE TABLE	FINISH SEE TABLE	WEIGHT -	SIZE A3	CAGE CODE 00779	DRAWING NO C-40605	RESTRICTED TO -
CUSTOMER DRAWING			SCALE 4:1	SHEET 1 OF 1	REV Z1	

单击下面可查看定价，库存，交付和生命周期等信息

[>>TE Connectivity\(泰科\)](#)