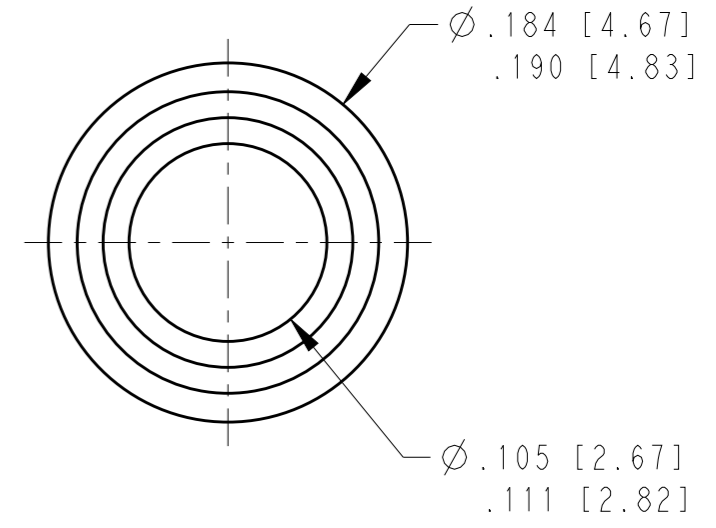
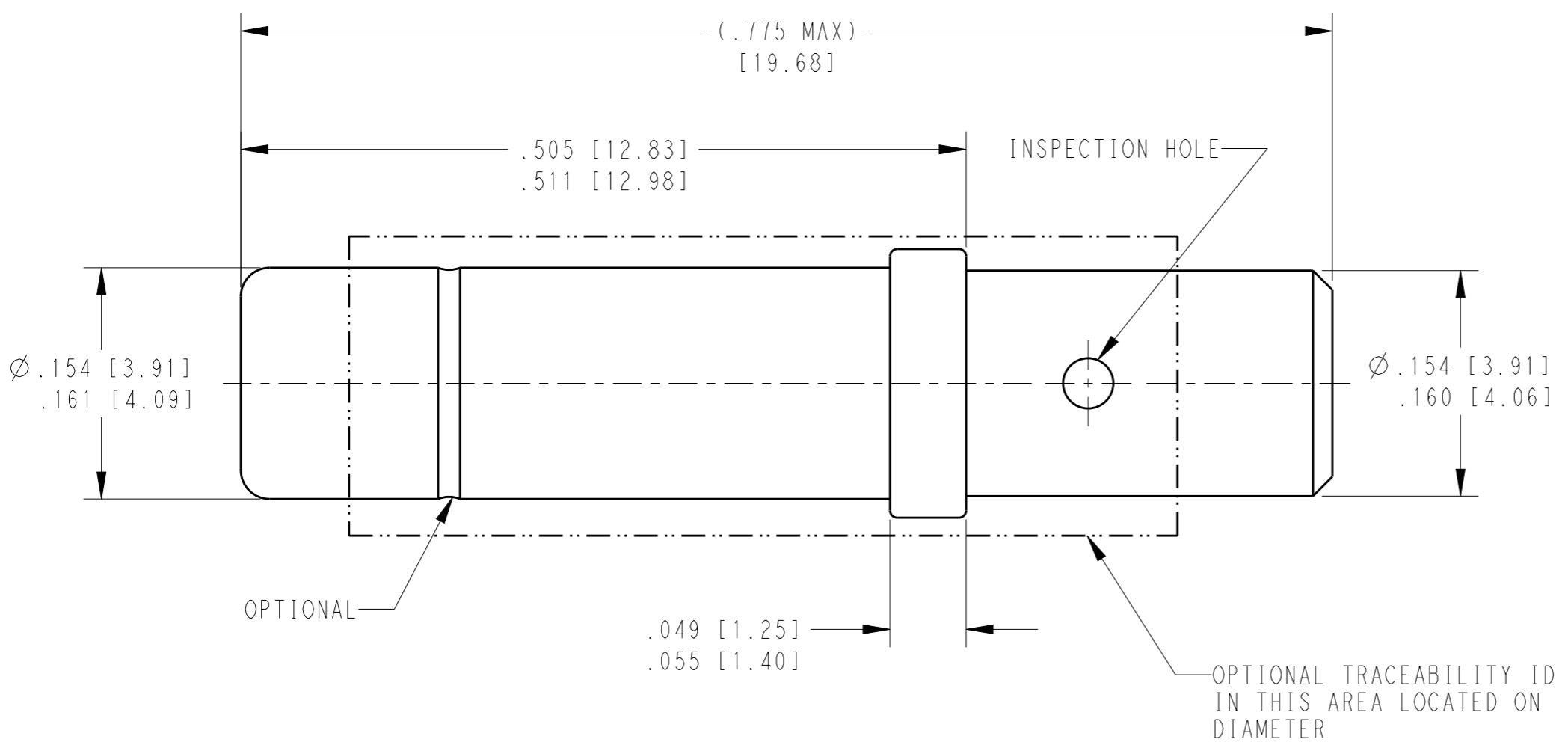


THIS DRAWING IS UNPUBLISHED  
 RELEASED FOR PUBLICATION 2018  
 © COPYRIGHT 2009 BY TE CONNECTIVITY ALL RIGHTS RESERVED.

LOC	DIST	REVISIONS			
P	LTR	DESCRIPTION	DATE	DWN	APVD
	NC	NEW RELEASE PER E.O 1399	13APR1984	JA	DM
	A	REVISED AND REDRAWN PER EO P20205	02JUN2009	JA	RDR
	B	REVISED PER PCN E-18-001206	24JAN2018	JA	DM
	B1	REVISED PER PCN E-19-018080	19NOV2019	MK	DM



TE INTERNAL PN	DEUTSCH PN	PLATING
0462-210-1231	0462-210-1231	GOLD

THIS DRAWING IS A CONTROLLED DOCUMENT.		DWN 29JUN2009 JAIME C. APOSTOL
DIMENSIONS: INCHES [mm]		CHK 29JUN2009 D. MEYER
TOLERANCES UNLESS OTHERWISE SPECIFIED:		APVD 29JUN2009 R. REED
0 PLC ±		PRODUCT SPEC 108-151004
1 PLC ±		APPLICATION SPEC 114-151004
2 PLC ±		WEIGHT 1.31g
3 PLC ±		CUSTOMER DRAWING
4 PLC ±		
ANGLES ±		
MATERIAL	FINISH	

 TE Connectivity		NAME	
		CONTACT SOCKET SIZE 12	
SIZE	CAGE CODE	DRAWING NO	RESTRICTED TO
A3	4AFU8	0462-210-1231	
SCALE 10:1		SHEET 1 OF 1	REV B1

NOTES:  
 (B1) 1. SEE APPLICATION SPECIFICATION 114-151004 FOR CRIMP TOOLS AND WIRE RANGE

单击下面可查看定价，库存，交付和生命周期等信息

[>>TE Connectivity\(泰科\)](#)