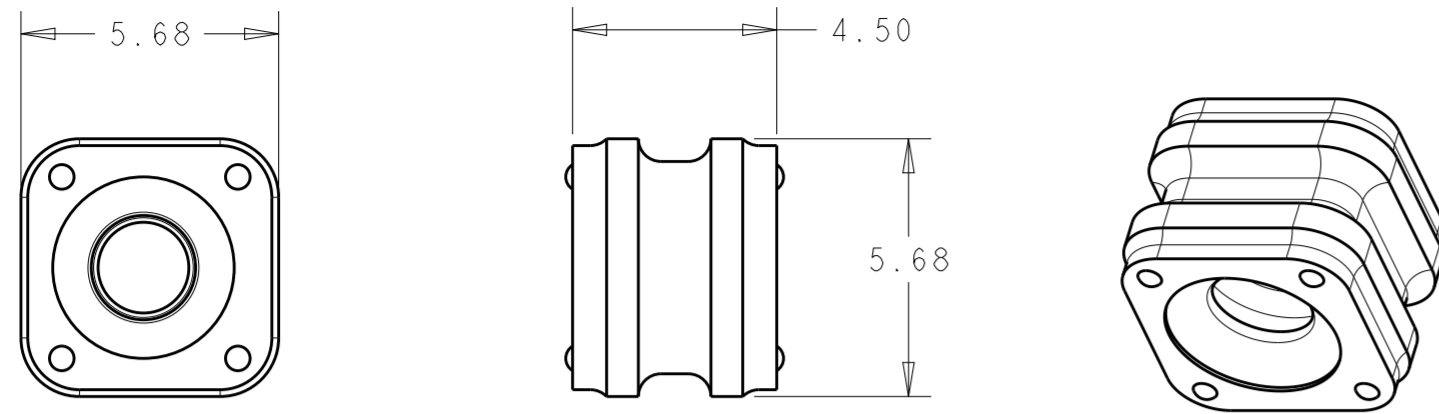
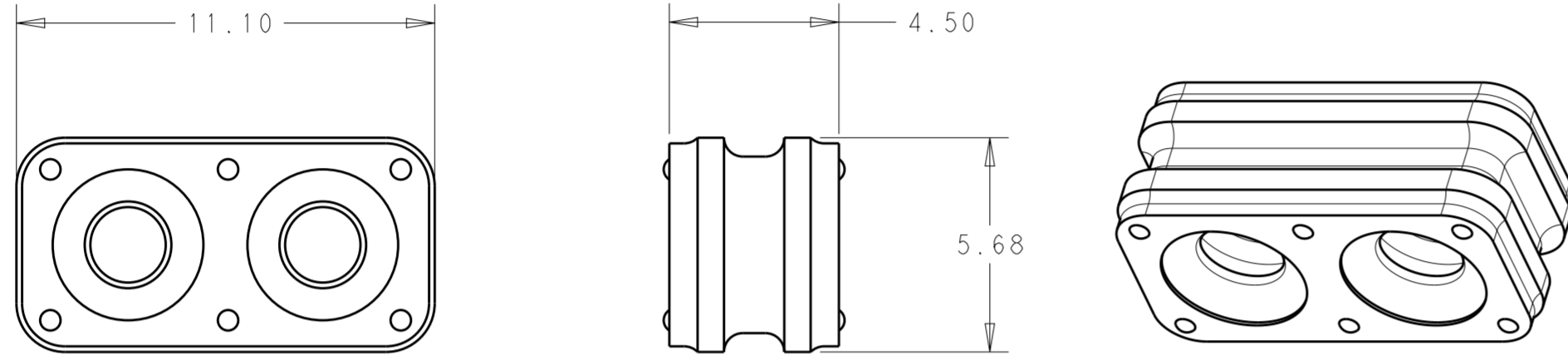


THIS DRAWING IS UNPUBLISHED. RELEASED FOR PUBLICATION 2018  
 © COPYRIGHT 2018 BY - ALL RIGHTS RESERVED.

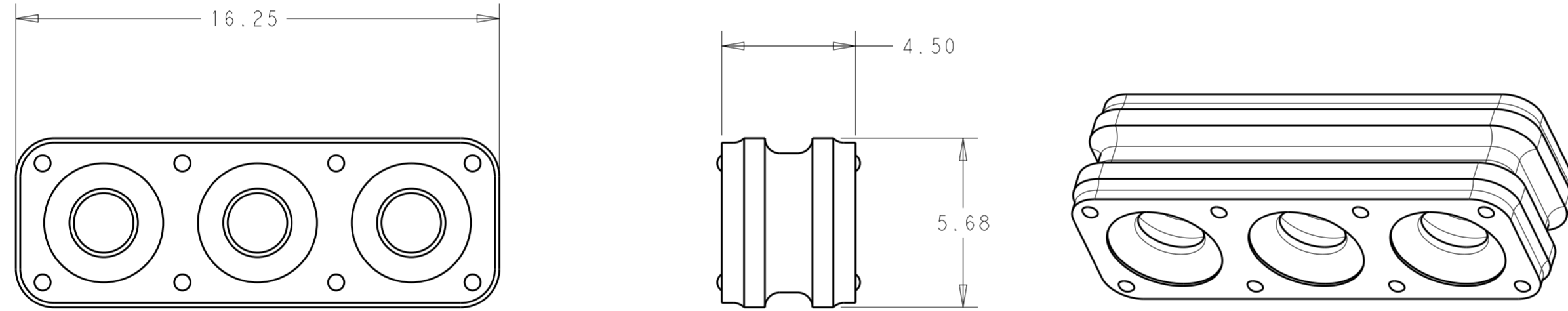
REVISIONS				
P	LTR	DESCRIPTION	DATE	APVD
A		RELEASED PER ECO-19-016370	25OCT2019	BKW DS
A1		REVISED PER ECR-20-100211	08AUG2020	JP VS



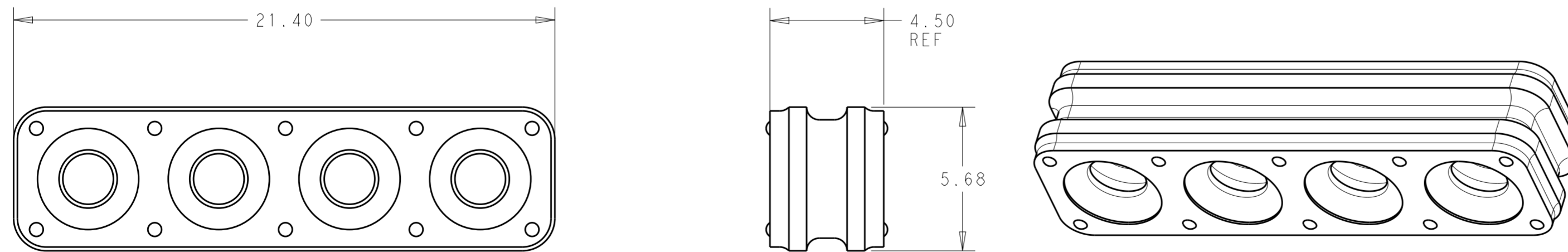
1\*1 POSITION



1\*2 POSITION



1\*3 POSITION



1\*4 POSITION

⚠ MATERIAL: SILICONE RUBBER, INHERENTLY LUBRICATED  
 COLOR - SEE CHART

⚠ SEE CHART FOR INSULATION OD RANGE

3. MATING CONNECTOR P/N'S:  
 CAP HSG - \*-2325350-\*/\*-2325043-\*/\*-2336231-\*/  
 \*-2337219-\*/\*-2345729-1  
 PLUG HSG - \*-2332040-\*/\*-2336229-\*/\*-2345728-1  
 CONTACTS - 2329907-\*/2329908-\*/2329911-\*/2329914-\*/  
 2329916-\*/2329917-\*/  
 BACK COVER (OPTIONAL) - 2324614-\*/2340648-6

⚠ PRELIMINARY PART - NOT RELEASED FOR PRODUCTION

GREEN	1.30-2.40	1*4	⚠ 1-2325349-4
GREEN	1.30-2.40	1*3	⚠ 1-2325349-3
GREEN	1.30-2.40	1*2	⚠ 1-2325349-2
GREEN	1.30-2.40	1*1	⚠ 1-2325349-1
BLUE	2.45-3.60	1*4	⚠ 2325349-4
BLUE	2.45-3.60	1*3	2325349-3
BLUE	2.45-3.60	1*2	2325349-2
BLUE	2.45-3.60	1*1	2325349-1
COLOR ⚠	INSULATION OD RANGE ⚠	POSITIONS	PART NUMBER

THIS DRAWING IS A CONTROLLED DOCUMENT.

DIMENSIONS:	TOLERANCES UNLESS OTHERWISE SPECIFIED:	DWN	15 JUN 2018
mm	0 PLC ±	CHK	15 JUN 2018
	1 PLC ±	APVD	15 JUN 2018
	2 PLC ±0.50	C	YL
	3 PLC ±	PRODUCT SPEC	108-143081
	4 PLC ±	APPLICATION SPEC	114-143082
MATERIAL	FINISH	WEIGHT	-
⚠	-	CUSTOMER DRAWING	SCALE 6:1 SHEET 1 OF 1 REV A1

STE TE Connectivity  
 NAME: GANG SEAL, POWER VERSA-LOCK  
 SIZE: A2 CAGE CODE: 00779 DRAWING NO: C-2325349

单击下面可查看定价，库存，交付和生命周期等信息

[>>TE Connectivity\(泰科\)](#)