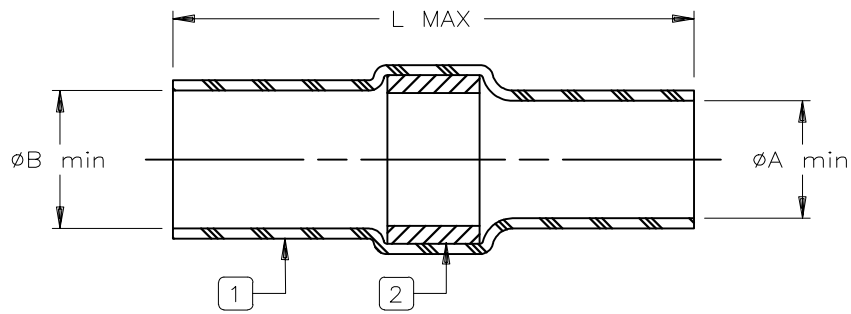


REVISIONS					
P	LTR	DESCRIPTION	DATE	DWN	APVD
	A	REVISED AS PER ECO-20-004474.	30MAR2020	TC	NP



Product Name	Product dimensions			Cable dimensions			
	L MAX	ØA min	ØB min	ØD MAX	ØE min	ØG MAX	J ±0.5 (±0.02)
D-103-08	20.85 [0.820]	7.10 [0.280]	7.60 [0.300]	7.60 [0.300]	4 [0.160]	7.10 [0.280]	7 [0.275]

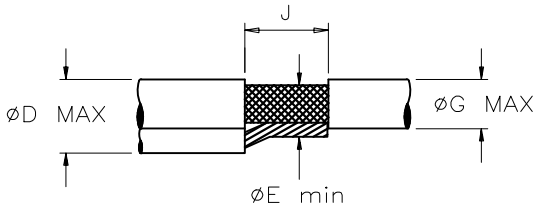
APPLICATION

These parts are designed to provide an environment protected shield termination on cables, rated for 125°C minimum, meeting the dimensional criteria listed, having tin or silver plated copper shields.

Temperature range:
-55°C to +150°C.

Install using Raychem-approved convection or infrared tools in accordance with Raychem assembly procedure RCPS-100-70.

For best results, prepare the cable as shown:



TECHNICAL DETAILS

ITEM	DESCRIPTION	MATERIAL
①	Heat-shrinkable insulation sleeve Transparent blue.	Radiation cross-linked polyvinylidene fluoride.
②	Solder preform with flux.	Sn63 Pb37 solder alloy with flux.

TE Connectivity. All Rights Reserved. © 2020



DIMENSIONS: mm [INCHES]	DWN T.CORREIA 30MAR2020	MATERIAL -	FINISH -
	CHK R.MACNAUGHTON 30MAR2020		
TOLERANCES UNLESS OTHERWISE SPECIFIED:	APVD N.PRZYBYLSKA 30MAR2020		
0 PLC ± -	PRODUCT SPEC -	NAME SOLDERSLEEVE SHIELD TERMINATOR	
1 PLC ± -	APPLICATION SPEC -	SIZE A4	CAGE CODE 06090
2 PLC ± -	WEIGHT -	DRAWING NO D-103-08	RESTRICTED TO -
3 PLC ± -			
4 PLC ± -			
ANGLES ± -			
	CUSTOMER DRAWING		SCALE DNS
		SHEET 1 OF 1	REV A

单击下面可查看定价，库存，交付和生命周期等信息

[>>TE Connectivity\(泰科\)](#)