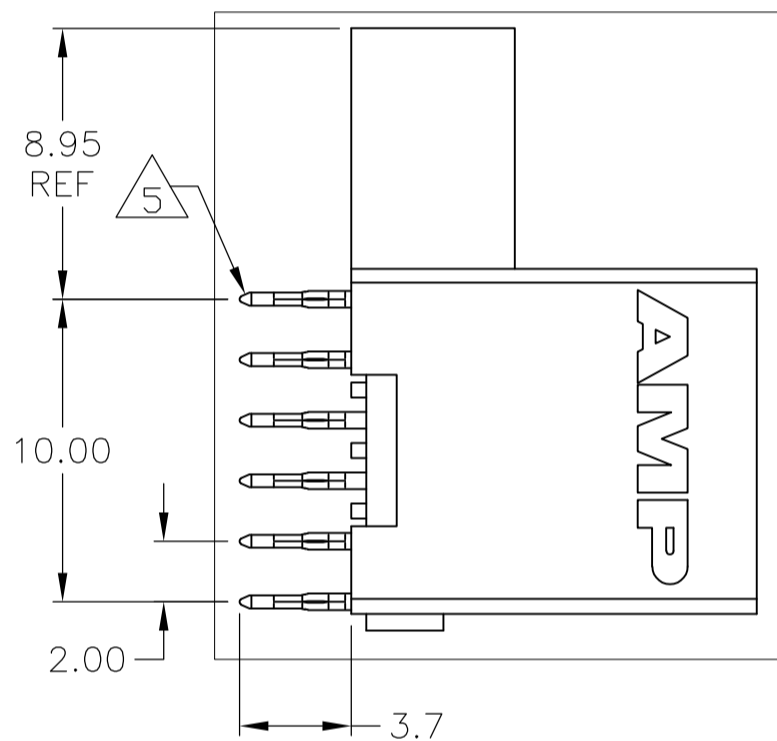
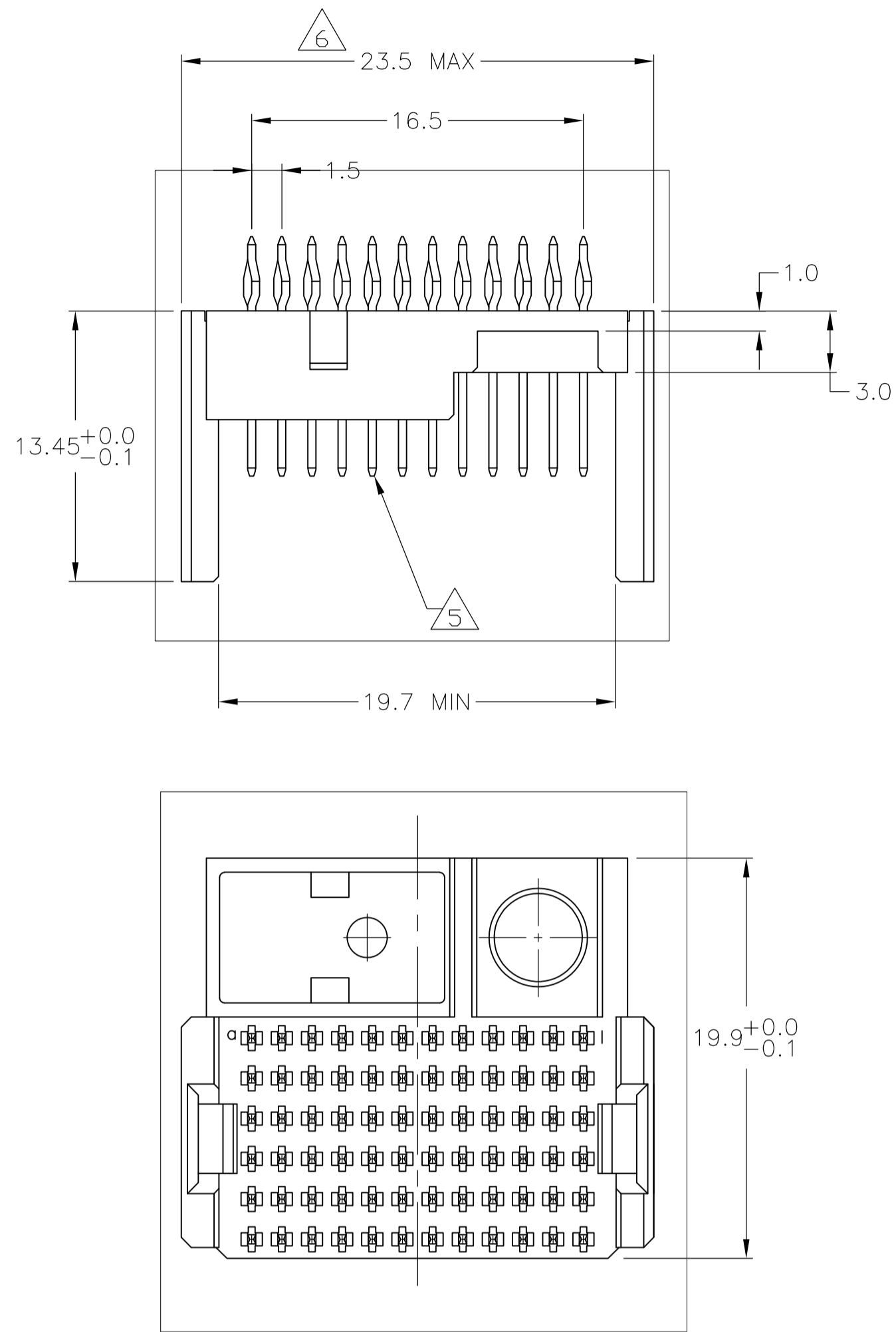
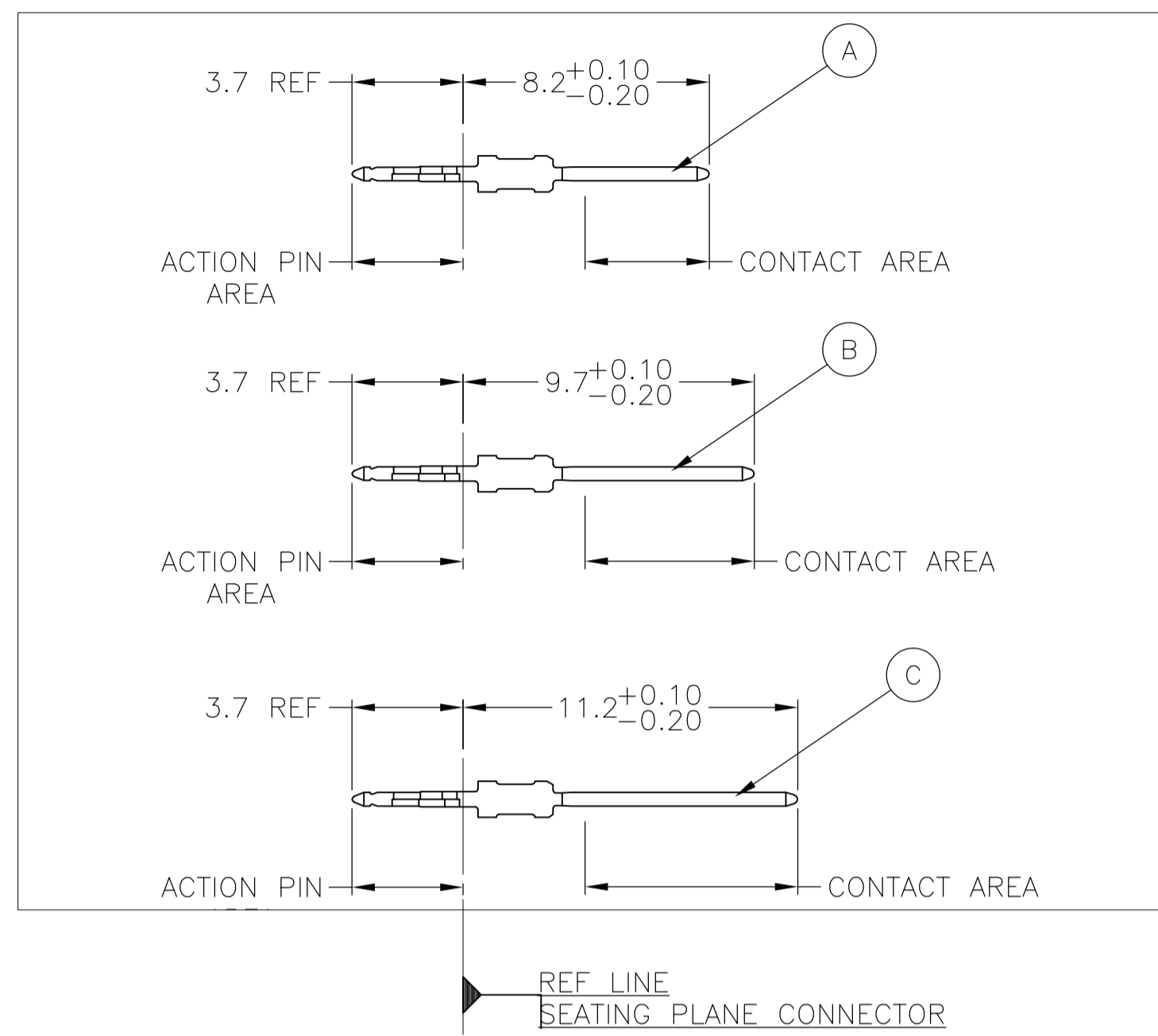


CONNECTOR ASSEMBLY EXAMPLARY LOADED 4

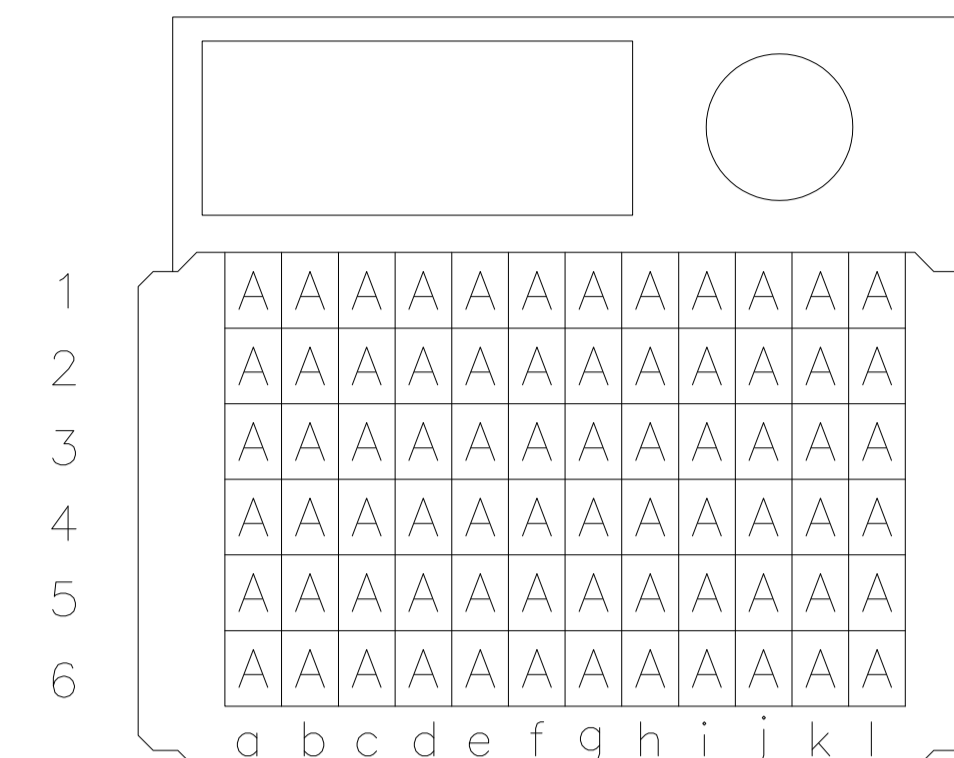


CONTACT DIMENSIONS

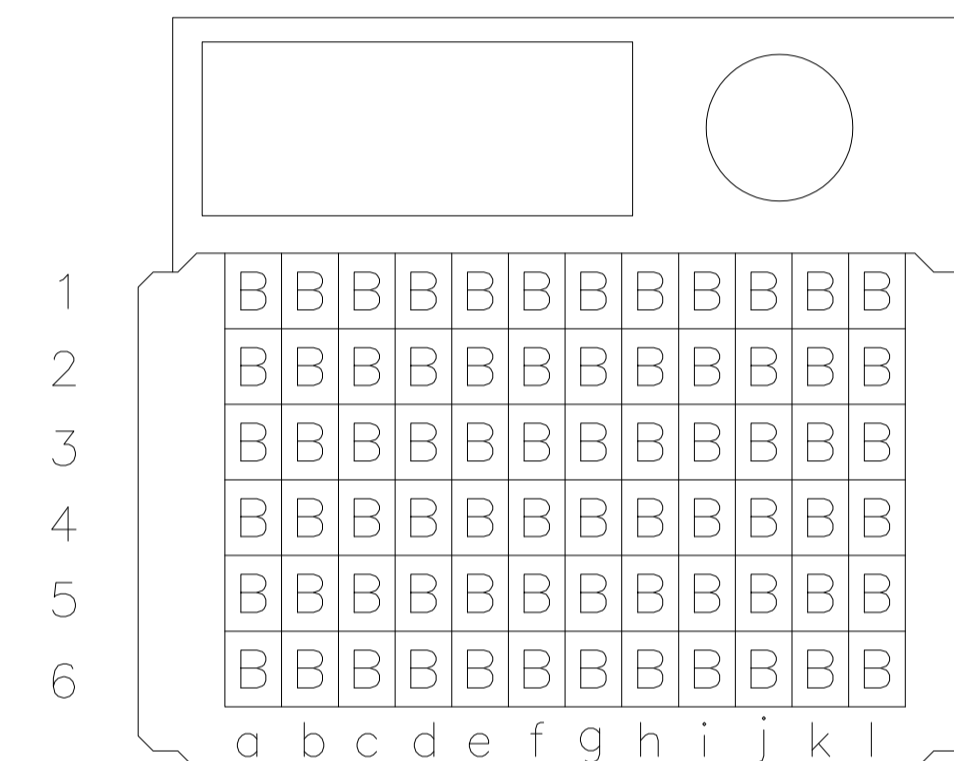
SCALE 5:1



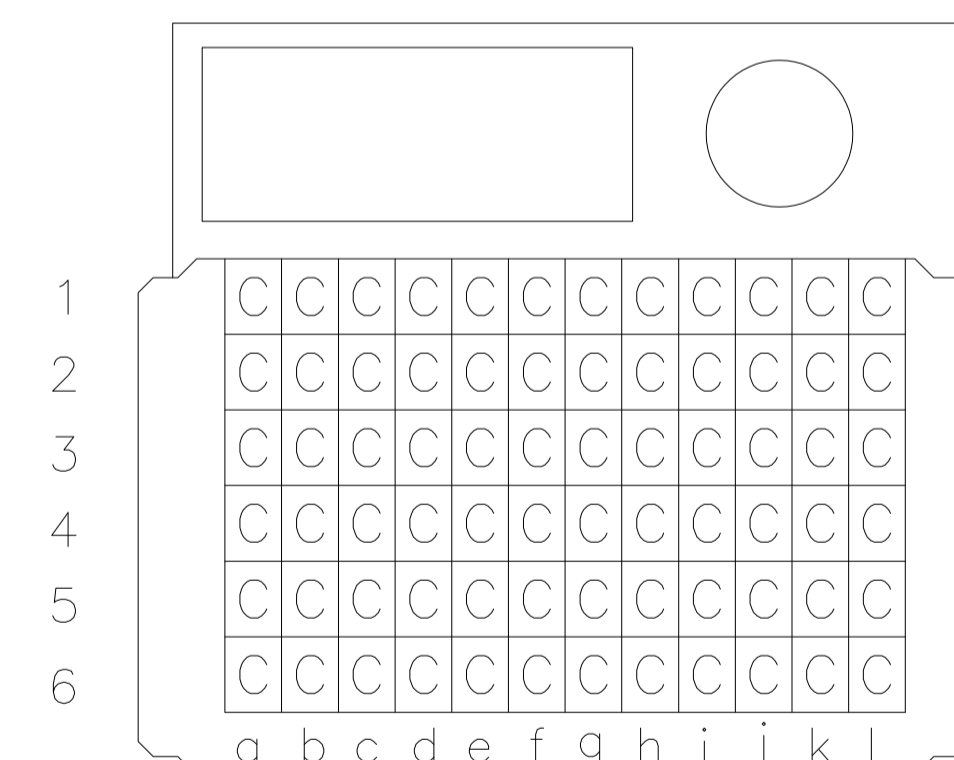
CONTACT LAYOUT



5120643-1 AS SHOWN



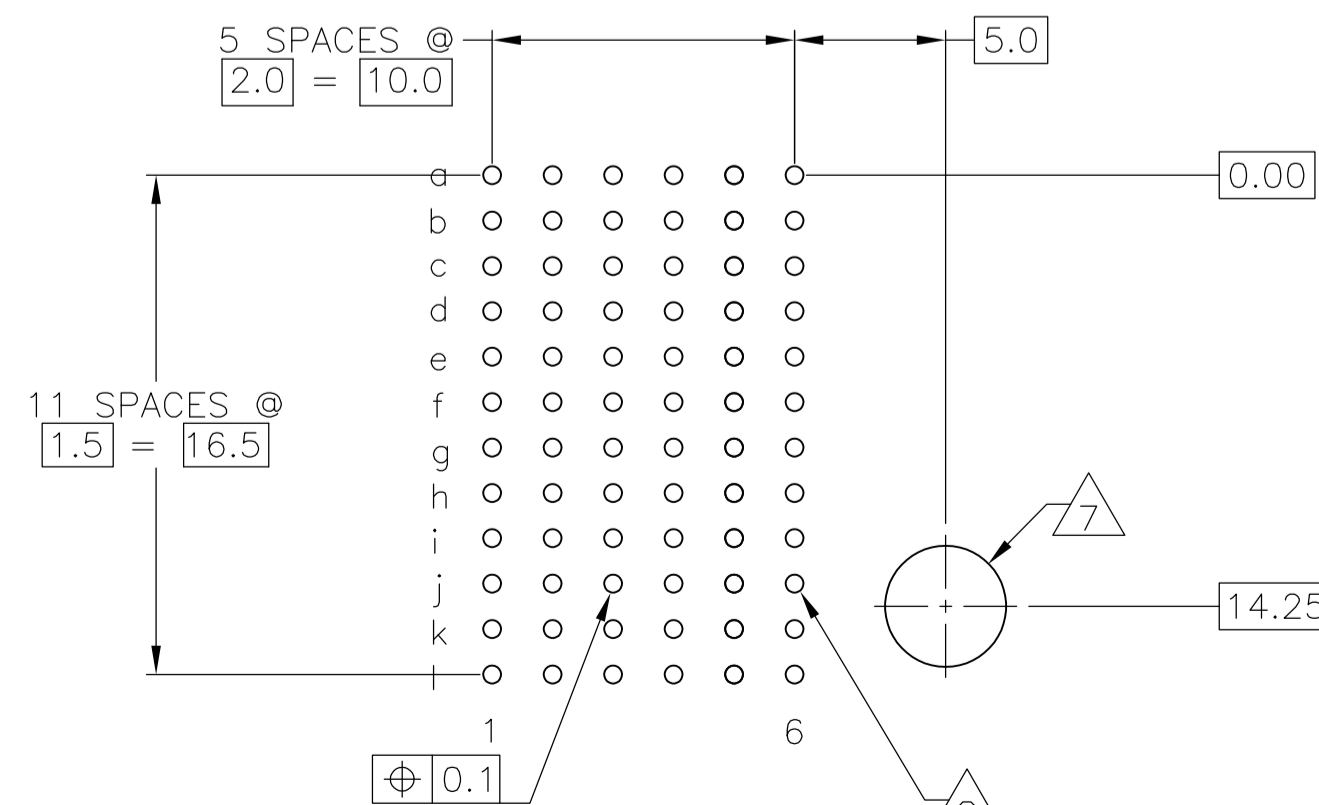
10 5120643-2 AS SHOWN



5120643-3 AS SHOWN

- 1 CONFORMS TO ALL TESTING ACCORDING TO IEC 61076-4-101 PERFORMANCE LEVEL 2.
- 2 MATERIAL:
CONTACT: PHOSPHOR BRONZE.
HOUSING: GLASS-FILLED POLYESTER.
- 3 PLATED-THROUGH HOLES AT 2x2mm SQUARE GRID PATTERN DEFINED BY CONTACT LAYOUT.
- 4 FOR ACTUAL PIN LOADING SEE "CONTACT LAYOUT".
- 5 FOR ACTUAL PIN DIMENSIONS SEE "CONTACT DIMENSIONS".
- 6 TO BE MEASURED AT BOTTOM OF SHROUD.
- 7 GUIDE PIN HOLE DIAMETER CLEARANCE DEFINED BY CHOICE OF GUIDE PIN.
- 8. KEY AND ALIGNMENT PIN ASSEMBLED BY END USER AT APPLICATION.
- 9 GENERAL PLATING SPECIFICATION: UNDERPLATING (ENTIRE CONTACT): 1.27µm MIN NICKEL AND ACTION PIN: 0.5µm MIN TIN. FOR PLATING OF MATING SURFACES SEE APPLICABLE SPECIFICATION REFERENCE FOR EACH DASH NUMBER.
- 10 OBSOLETE PARTS: OBSOLETE CIS STREAMLINING PER D.RENAUD/D.SINISI

RECOMMENDED PCB-HOLE LAYOUT COMPONENT SIDE SHOWN



PLATED THRU HOLES PARAMETERS

REFERENCE APPLICATION SPECIFICATION

THIS DRAWING IS A CONTROLLED DOCUMENT.		DIN B. CARBO 02JUN05		Tyco Electronics Corporation Harrisburg, PA 17105-3608	
DIMENSIONS: mm		G. SKIPPER 02JUN05		NAME: MALE ASSEMBLY, Z-PACK 2mm HM, RIGHT HAND, 12 ROW	
TOLERANCES UNLESS OTHERWISE SPECIFIED:		G. SKIPPER 02JUN05		PRODUCT SPEC: 108-1738	
0-PLG ±		APPLICATION SPEC: 114-1132		RESTRICTED TO: -	
1-PLG ±0.1		WEIGHT: -		SIZE: A1	
2-PLG ±		CUSTOMER DRAWING		SCALE: 4:1	
3-PLG ±		SCALE: 4:1		SHEET: 1 of 1	
4-PLG ±		SCALE: 4:1		REV: C	
ANGLES ±		SCALE: 4:1		REV: C	

单击下面可查看定价，库存，交付和生命周期等信息

[>>TE Connectivity\(泰科\)](#)