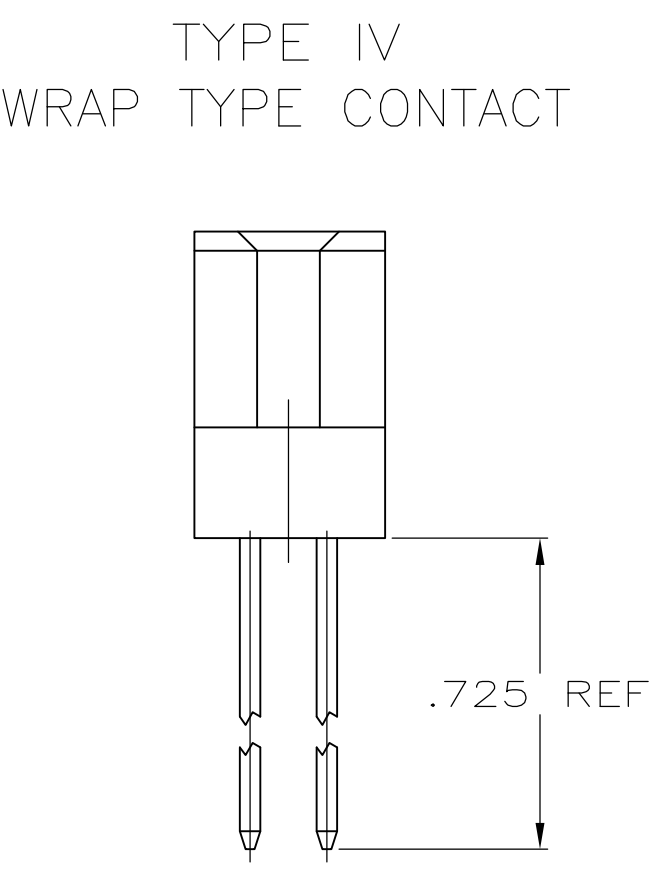
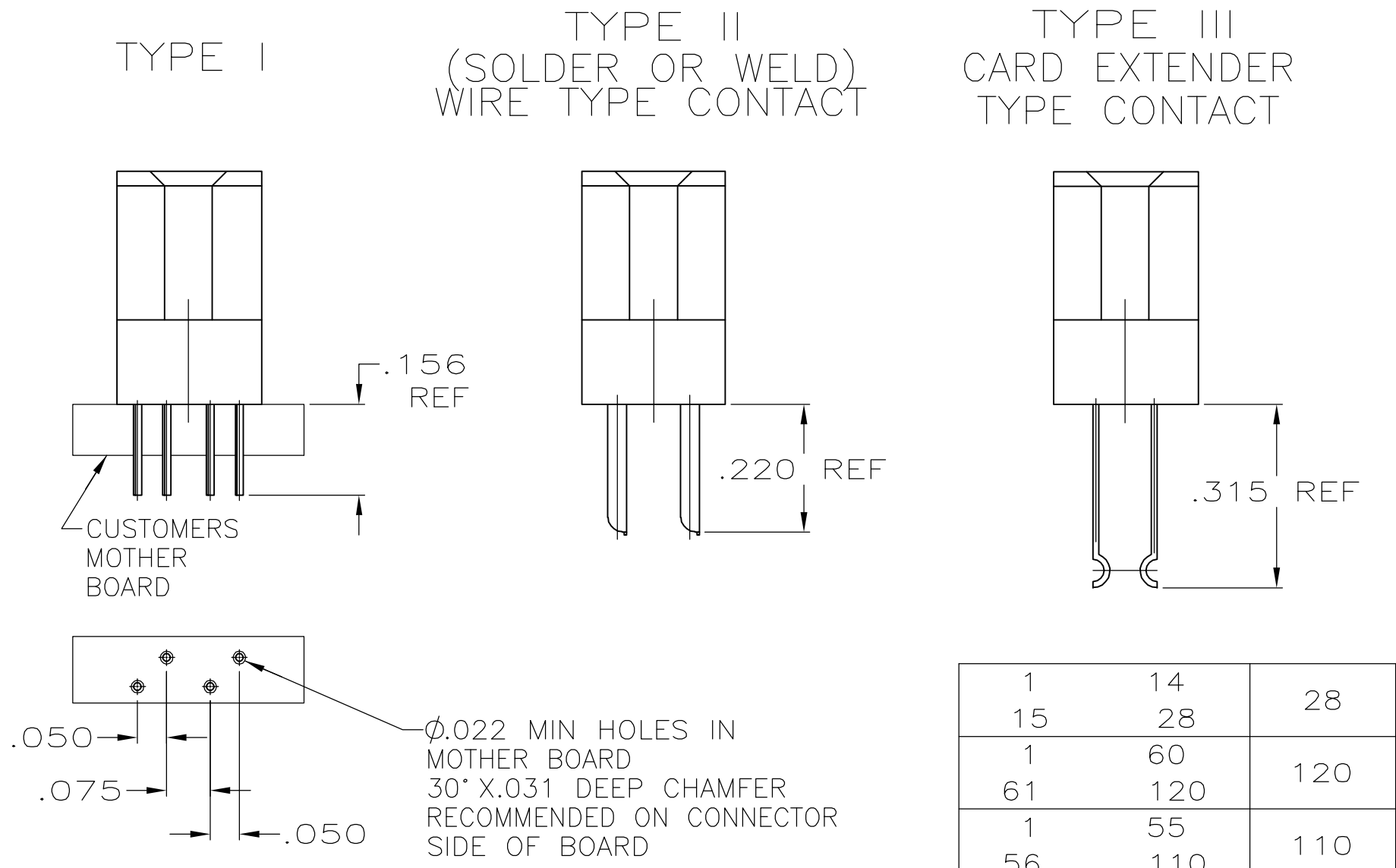
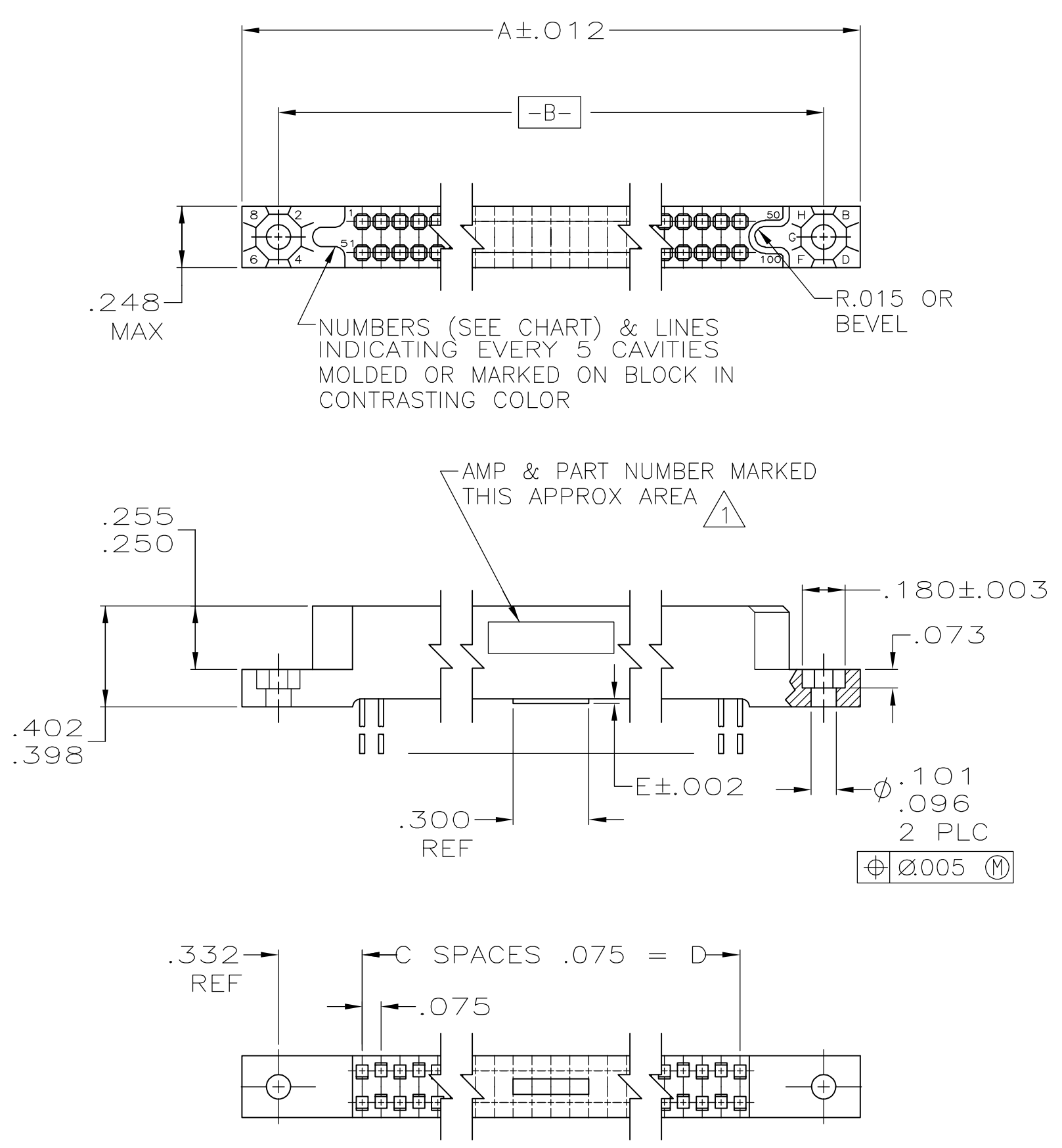


THIS DRAWING IS UNPUBLISHED. RELEASED FOR PUBLICATION
 © COPYRIGHT BY TYCO ELECTRONICS CORPORATION. ALL RIGHTS RESERVED.

LOC		DIST		REVISIONS			
P	LTR	DESCRIPTION		DATE	DWN	APVD	
	Z	REV PER ECO-05-013554		16NOV05	VF	CT	



1	14	28
15	28	28
1	60	120
61	120	120
1	55	110
56	110	110
1	50	100
51	100	100
1	45	90
46	90	90
1	40	80
41	80	80
1	35	70
36	70	70
1	30	60
31	60	60
1	25	50
26	50	50
1	20	40
21	40	40
1	15	30
16	30	30
1	10	20
11	20	20
1	5	10
6	10	10
MARKING		NUMBER OF POSITIONS

- ① ADDITIONAL MARKING OF CUSTOMER NUMBER AND AMP CODE IDENTIFICATION NUMBER ON PARTS SPECIFIED.
- ② 100 POSITION HOUSING WITH ONLY 80 CONTACTS LOADED #6 THRU #45 & #56 THRU #95.
- ③ CONTACT EXTENSION FOR ASSEMBLIES INDICATED IS .235 REFERENCE.
- ④ FINISH: GOLD OVER NICKEL IN CONTACT AREA, TIN LEAD OVER NICKEL IN TAIL AREA.
- ⑤ MEETS APPLICABLE REQUIREMENTS OF MIL-C-55302.
- ⑥ HOUSING: DIALYL PHTHALATE
CONTACT: BERYLLIUM COPPER (BeCu) OR COPPER-NICKEL-SILICON (CuNiSi).

THIS DRAWING IS A CONTROLLED DOCUMENT.

DIMENSIONS: INCHES	TOLERANCES UNLESS OTHERWISE SPECIFIED:	DWN T. THOMPSON 12-17-97	Tyco Electronics Corporation Harrisburg, PA 17105-3608
	0 PLC ± -	CHK D. MILLER 12-18-97	
	1 PLC ± -	APVD D. MILLER 12-18-97	
	2 PLC ± -	PRODUCT SPEC	
MATERIAL	FINISH	APPLICATION SPEC	NAME
-	CONTACT ④	WEIGHT -	RECEPTACLE ASSEMBLY BOX CONTACT

SIZE A2	CAGE CODE 00779	DRAWING NO C=202844	RESTRICTED TO -
CUSTOMER DRAWING		SCALE 2:1	SHEET 1 of 2

202844

THIS DRAWING IS UNPUBLISHED. RELEASED FOR PUBLICATION
 © COPYRIGHT BY TYCO ELECTRONICS CORPORATION. ALL RIGHTS RESERVED.

LOC	DIST	REVISIONS					
DF	FO	P	LTR	DESCRIPTION	DATE	DWN	APVD
		-	-	SEE SHEET 1	-	-	-

OBSOLETE		I	.018	4.050	54	4.715	5.005	110	202946-4	5-202844-1
OBSOLETE		I	.018	3.675	49	4.340	4.630	100	202946-4	5-202844-0
		I	.018	3.300	44	3.965	4.255	90	202946-2	4-202844-9
OBSOLETE	-	IV	.018	2.925	39	3.590	3.880	80	2-583812-4	4-202844-8
OBSOLETE		I	.018	2.550	34	3.215	3.505	70	204946-2	4-202844-7
OBSOLETE	-	III	-	.300	4	.965	1.255	10	583452-4	4-202844-6
OBSOLETE	-	III	.018	2.550	34	3.215	3.505	70	583452-4	4-202844-5
OBSOLETE		I	.018	3.675	49	4.340	4.630	100	204946-2	4-202844-4
OBSOLETE		I	.018	4.050	54	4.715	5.005	110	204946-2	4-202844-3
	-	II	-	.975	13	1.640	1.930	28	202936-9	4-202844-2
OBSOLETE	-	III	.018	3.300	44	3.965	4.255	90	583452-4	4-202844-1
OBSOLETE		I	.018	4.425	59	5.090	5.380	120	204946-2	4-202844-0
OBSOLETE		II	.018	4.425	59	5.090	5.380	120	583218-1	3-202844-9
OBSOLETE		II	.018	3.675	49	4.340	4.630	100	583218-1	3-202844-8
OBSOLETE		I	.018	3.675	49	4.340	4.630	100	204946-2	3-202844-7
OBSOLETE	-	II	.018	4.050	54	4.715	5.005	110	583218-1	3-202844-6
OBSOLETE	-	II	.018	3.300	44	3.965	4.255	90	583218-1	3-202844-5
OBSOLETE	-	II	.018	2.550	34	3.125	3.505	70	583218-1	3-202844-4
OBSOLETE	-	II	-	.300	4	.965	1.255	10	583218-1	3-202844-3
OBSOLETE	-	II	.018	4.425	59	5.090	5.380	120	583218-1	3-202844-2
OBSOLETE	-	II	.018	2.175	29	2.840	3.130	60	583218-1	3-202844-1
OBSOLETE	-	II	.018	1.425	19	2.090	2.380	40	583218-1	3-202844-0
OBSOLETE	-	II	-	.675	9	1.340	1.630	20	583218-1	2-202844-9
OBSOLETE	-	III	.018	2.175	29	2.840	3.130	60	583452-4	2-202844-8
OBSOLETE	-	III	.018	1.425	19	2.090	2.380	40	583452-4	2-202844-7
OBSOLETE	-	III	-	.675	9	1.340	1.630	20	583452-4	2-202844-6
OBSOLETE	-	III	.018	4.050	54	4.715	5.005	110	583452-4	2-202844-5
OBSOLETE	-	II	.018	1.800	24	2.465	2.755	50	583218-1	2-202844-4
OBSOLETE	-	II	-	1.050	14	1.715	2.005	30	583218-1	2-202844-3
OBSOLETE	-	III	-	1.050	14	1.715	2.005	30	583452-4	2-202844-2
OBSOLETE	-	III	.018	4.425	59	5.090	5.380	120	583452-4	2-202844-1
OBSOLETE	-	III	.018	3.675	49	4.340	4.630	100	583452-4	2-202844-0
OBSOLETE	-	III	.018	2.925	39	3.590	3.880	80	583452-4	1-202844-9
OBSOLETE	-	III	.018	1.800	24	2.465	2.755	50	583452-4	1-202844-8
OBSOLETE	-	II	.018	2.925	39	3.590	3.880	80	583218-1	1-202844-7
OBSOLETE	-	I	-	.300	4	.965	1.255	10	202946-1	1-202844-6
OBSOLETE	-	II	.018	3.675	49	4.340	4.630	100	583218-1	1-202844-5
OBSOLETE	-	I	-	.975	13	1.640	1.930	28	202946-1	1-202844-4
OBSOLETE	-	I	.018	4.425	59	5.090	5.380	120	202946-1	1-202844-3
	-	I	.018	4.050	54	4.715	5.005	110	202946-1	1-202844-2
OBSOLETE	-	I	.018	3.300	44	3.965	4.255	90	202946-1	1-202844-1
	-	I	.018	2.925	39	3.590	3.880	80	202946-1	1-202844-0
OBSOLETE	-	I	.018	2.550	34	3.215	3.505	70	202946-1	202844-9
OBSOLETE	-	I	.018	2.175	29	2.840	3.130	60	202946-1	202844-8
OBSOLETE	-	I	.018	1.800	24	2.465	2.755	50	202946-1	202844-7
	-	I	.018	1.425	19	2.090	2.380	40	202946-1	202844-6
	-	I	-	1.050	14	1.715	2.005	30	202946-1	202844-5
OBSOLETE	-	I	-	.675	9	1.340	1.630	20	202946-1	202844-4
OBSOLETE		II	.018	3.675	49	4.340	4.630	100	583218-1	202844-3
OBSOLETE		I	.018	3.675	49	4.340	4.630	100	202946-1	202844-2
OBSOLETE	-	I	.018	3.675	49	4.340	4.630	100	202946-1	202844-1

RMKS	TYPE	E	D	C	B	A	REQ'D	CONTACT	PART NUMBER
------	------	---	---	---	---	---	-------	---------	-------------

THIS DRAWING IS A CONTROLLED DOCUMENT.

DWN T. THOMPSON 12-17-97	 Tyco Electronics Corporation Harrisburg, PA 17105-3608			
CHK D. MILLER 12-18-97				
APVD D. MILLER 12-18-97				
PRODUCT SPEC				
APPLICATION SPEC	NAME RECEPTACLE ASSEMBLY BOX CONTACT			
WEIGHT -	SIZE A2	CAGE CODE 00779	DRAWING NO C=202844	RESTRICTED TO -
CUSTOMER DRAWING		SCALE 1:1	SHEET 2 of 2	REV Z

单击下面可查看定价，库存，交付和生命周期等信息

[>>TE Connectivity\(泰科\)](#)