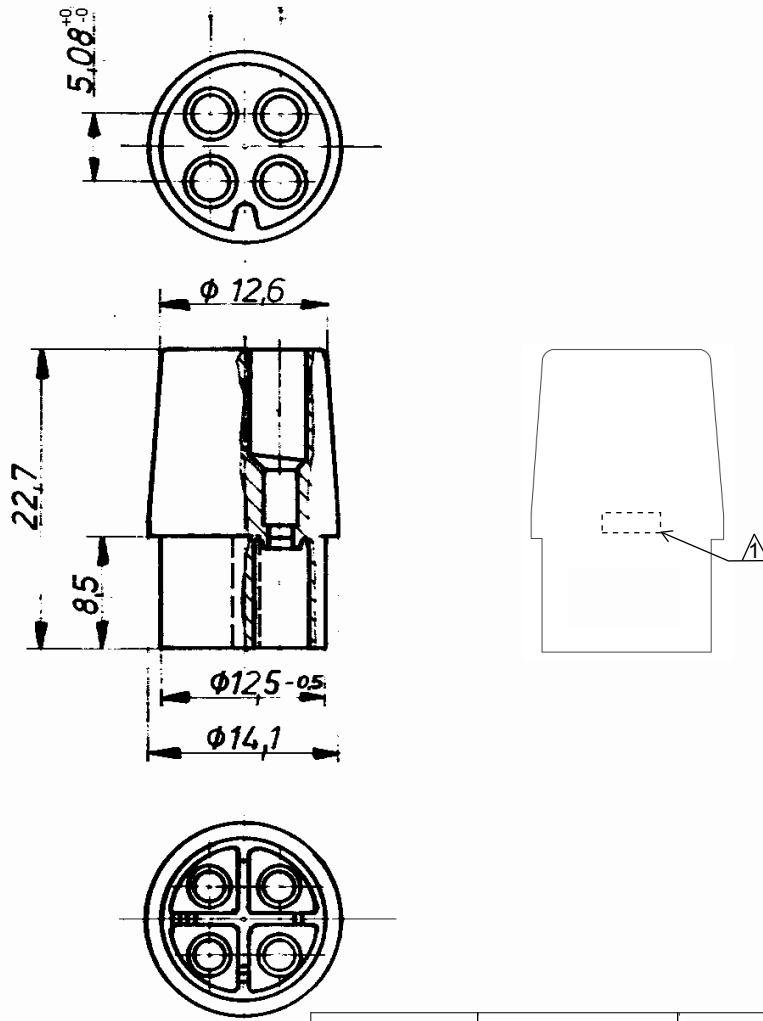


LOC	DIST	REVISIONS				
P	LTR	DESCRIPTION	DATE	DWN	APVD	
AL	2					
C5		REVISED PER ECR-15-014424	18NOV2015	NK	EW	
C6		REVISED PER ECR-21-101087	05MAY2021	SS	VS	



1 FROST TE LOGO ON THIS SURFACE
PER P/N: 1621426-4

	925076-7	PA66 GWT 750°C-V0	NATURAL
	925076-6	PA6 GWT750°C-V2	NATURAL
OBSOLETE	925076-4	PA66	RED
	925076-3	PA66	BLACK
OBSOLETE	925076-2	PA66 UL94	WHITE
OBSOLETE	925076-1	PA66 UL94	NATURAL
	925076	PA66 UL94 V-2	NATURAL
	PN	MATERIAL	COLOUR

THIS DRAWING IS UNPUBLISHED.
 RELEASED FOR PUBLICATION 20
 © COPYRIGHT 20 BY TYCO ELECTRONICS CORPORATION. ALL RIGHTS RESERVED.

DIMENSIONS: mm		DWN J. SALO 10AUG2009	MATERIAL SEE TABLE		FINISH -
TOLERANCES UNLESS OTHERWISE SPECIFIED:		CHK R. SOLE 10AUG2009			
0 PLC ±		APVD G. TURCO 10AUG2009			
1 PLC ±0,4		PRODUCT SPEC	NAME 4 WAY CIRCULAR MATE-N-LOK SOCKET HOUSING		
2 PLC ±0,4		APPLICATION SPEC	SIZE	CAGE CODE	DRAWING NO
3 PLC ±			A4	00779	C-925076
4 PLC ±			RESTRICTED TO		
ANGLES ±1° 30'		WEIGHT	-		
		CUSTOMER DRAWING		SCALE	2:1
				SHEET	1 OF 1
				REV	C6

单击下面可查看定价，库存，交付和生命周期等信息

[>>TE Connectivity\(泰科\)](#)