

4

3

2

1

THIS DRAWING IS UNPUBLISHED.

RELEASED FOR PUBLICATION

1996

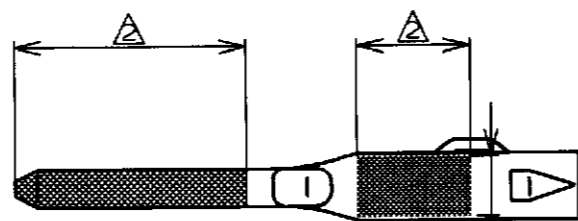
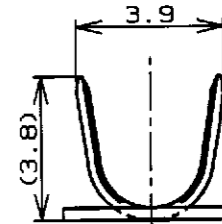
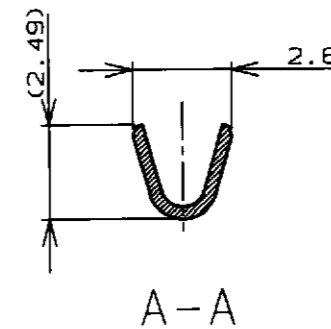
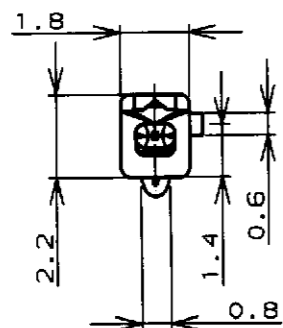
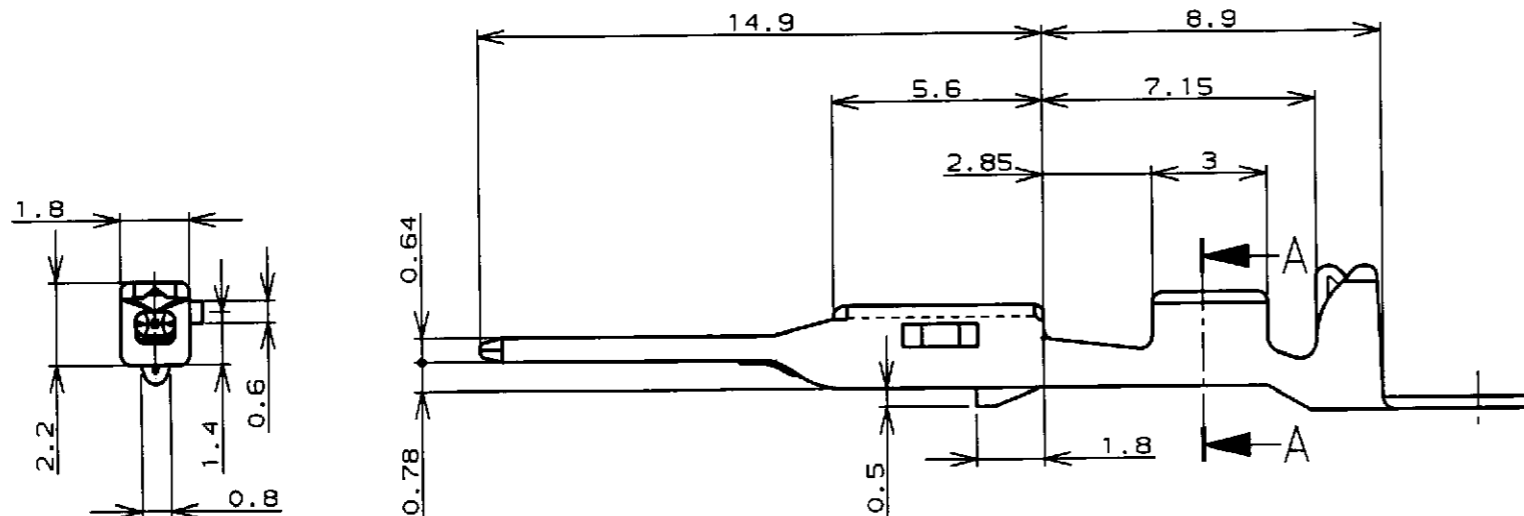
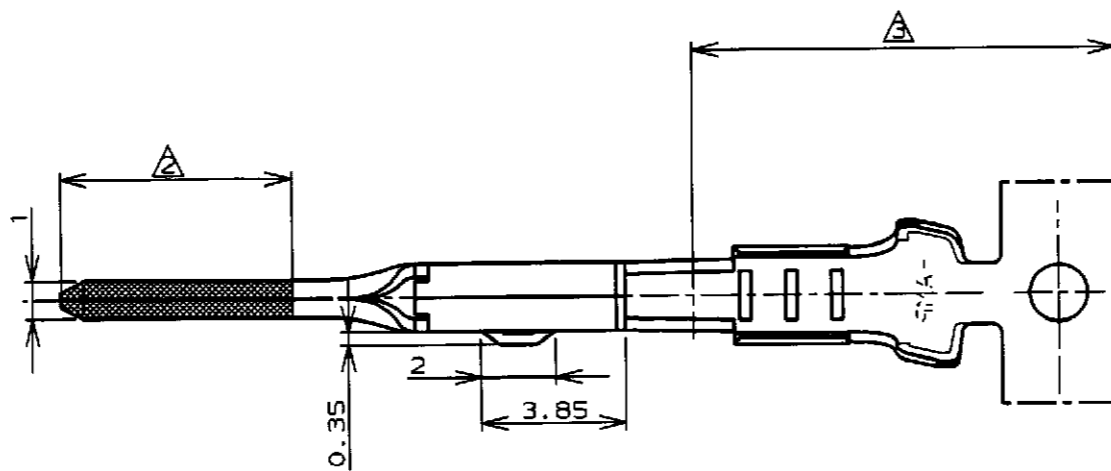
LOC J
DIST -

REVISIONS

© COPYRIGHT 1996

BY AMP INCORPORATED, ALL RIGHTS RESERVED.

P	LTR	DESCRIPTION	ECN	DATE	DWN	APVD
	0	DRAWN	FJ00-4529-96	4/24'96	HY	NS
	A	REVISED	FJ00-5196-96	9/17'96	SO	KO
	B	REVISED	FJ00-1823-97	08DEC97	HY	NS
	C	REVISED	FJ00-2179-98	26JAN99	HY	NS



注記;
 △ 適用電線: AVSS,CAVS 0.3~0.5mm²
 △ 金めつき範囲(-2のみ).
 △ すずめつき範囲(-2のみ).

NOTES;
 1. APPLICABLE WIRE RANGE ;
 AVSS,CAVS 0.3~0.5mm²
 △ GOLD PLATING AREA (-2 ONLY)
 △ TIN PLATING AREA (-2 ONLY)

SELECTIVE GOLD/TIN (部分金めつき/すずめつき)	316834-2
PRE-TINNED (すずめつき)	316834-1
FINISH (仕上)	PART NUMBER (型番)

THIS DRAWING IS A CONTROLLED DOCUMENT FOR AMP INCORPORATED.
 IT IS SUBJECT TO CHANGE AND THE CONTROLLING ENGINEERING
 ORGANIZATION SHOULD BE CONTACTED FOR THE LATEST REVISION.

DIMENSIONS: 単位: 概 mm	TOLERANCES UNLESS OTHERWISE SPECIFIED 一般公差 10% ±0.2 30% ±0.25 100% ±0.3 ANGLE: ±3°
MATERIAL 材料 BRASS 黄銅	FINISH 仕上 SEE TABLE 表参照

DWN H. YAMAGAMI 4/24'96	CHK T. KOHNO 4/25'96
APVD N. SAI 4/25'96	NAME 名称
PRODUCT SPEC 製品規格 - -	APPLICATION SPEC 取付適用規格 114-5227
WEIGHT 0.34g	CUSTOMER DRAWING

AMP 日本エー・エム・ピー株式会社
Kawasaki, Japan

**.040 III SEALED CONTACT,
TAB (S)**

SIZE: A3 CAGE CODE: 00779 DRAWING NO: C-316834
SCALE: 5-1 SHEET 1 OF 1 REV C

单击下面可查看定价，库存，交付和生命周期等信息

[>>TE Connectivity\(泰科\)](#)