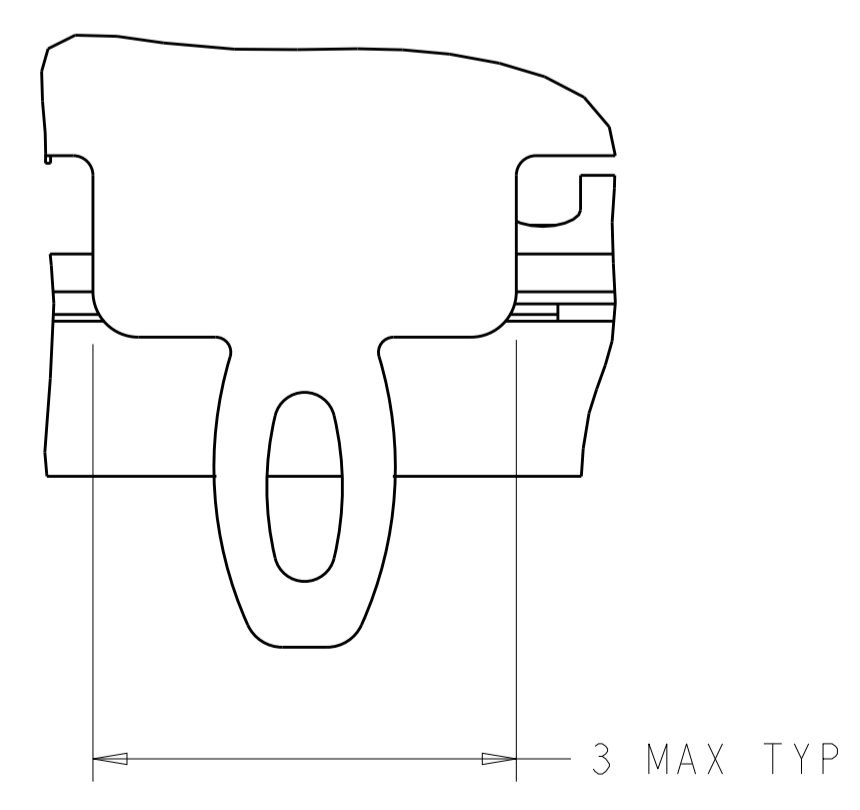
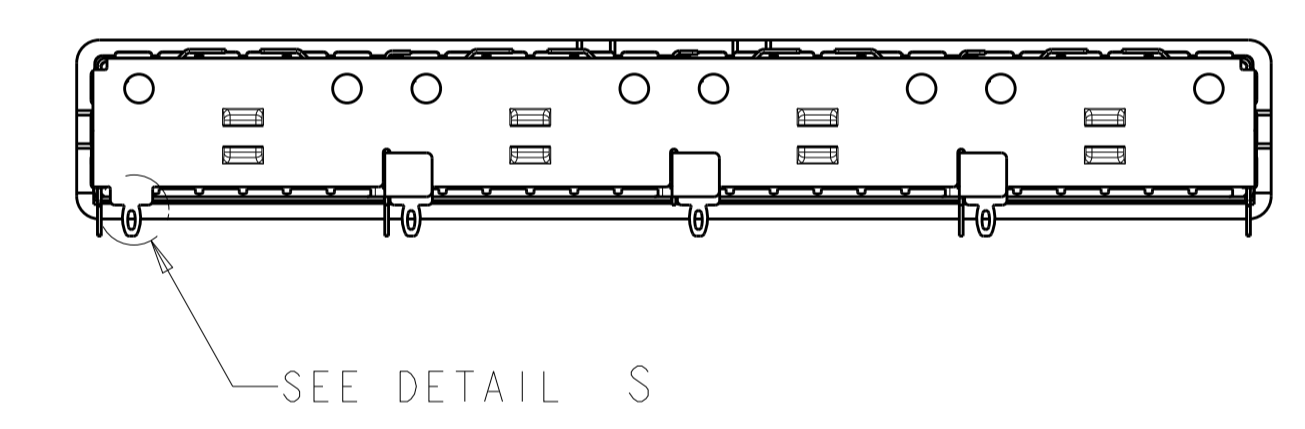
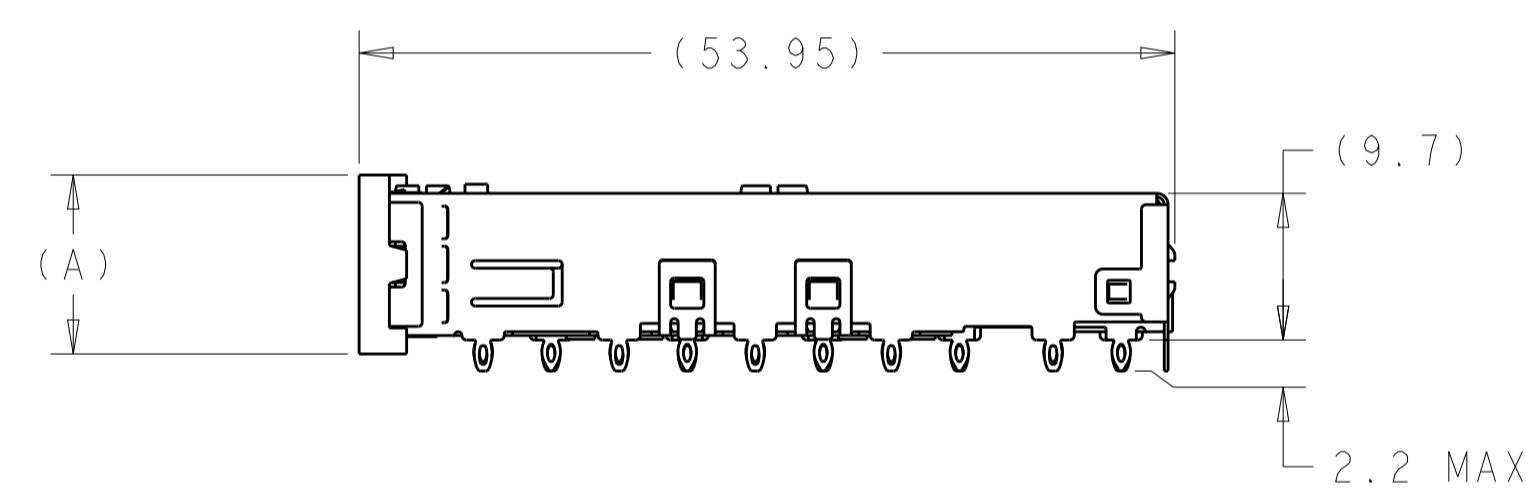
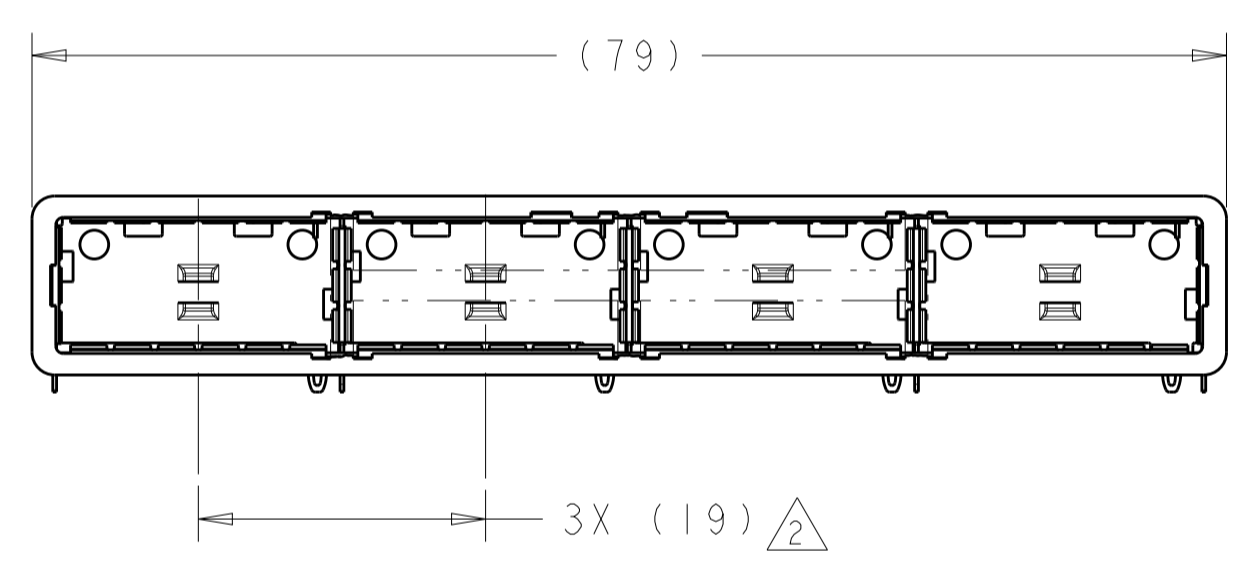
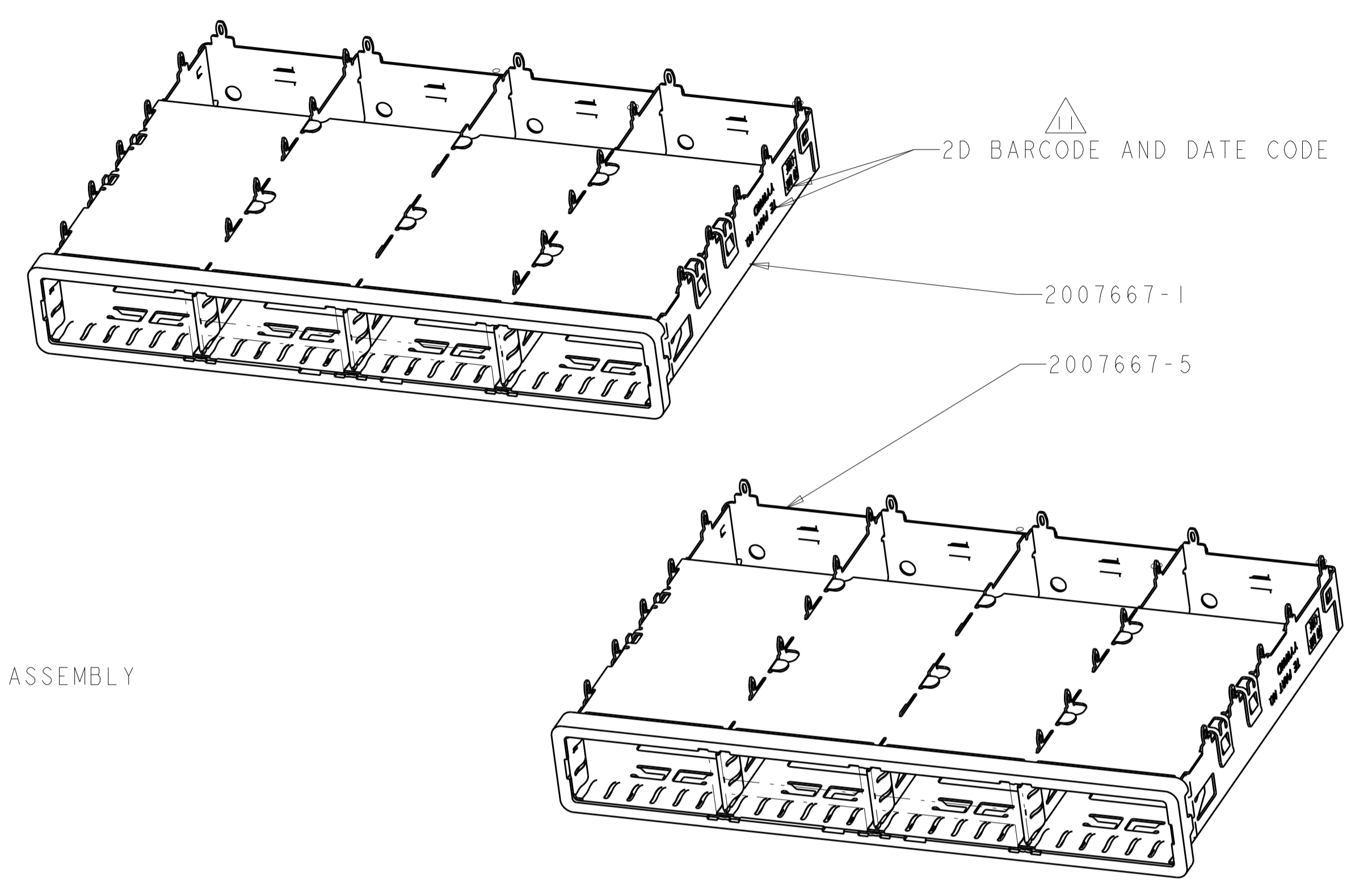
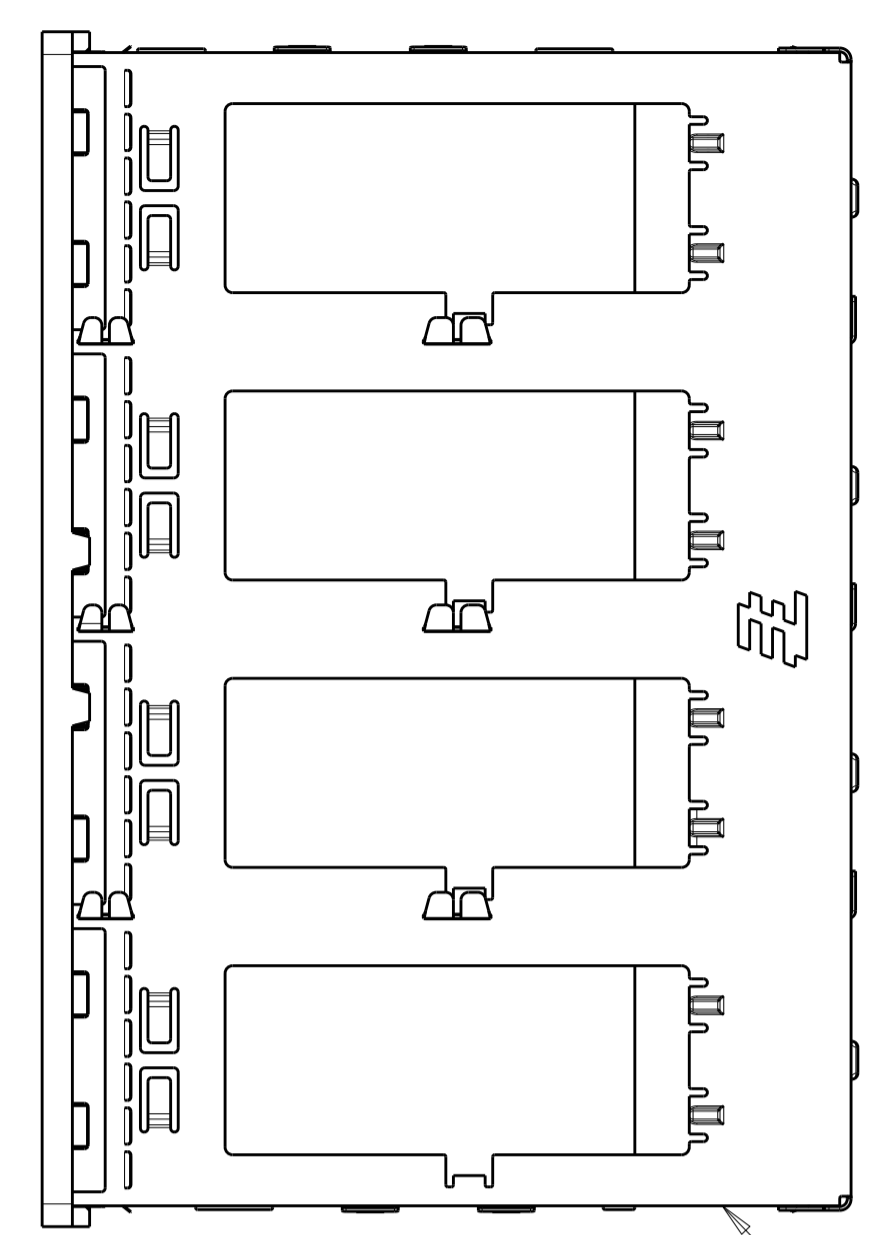
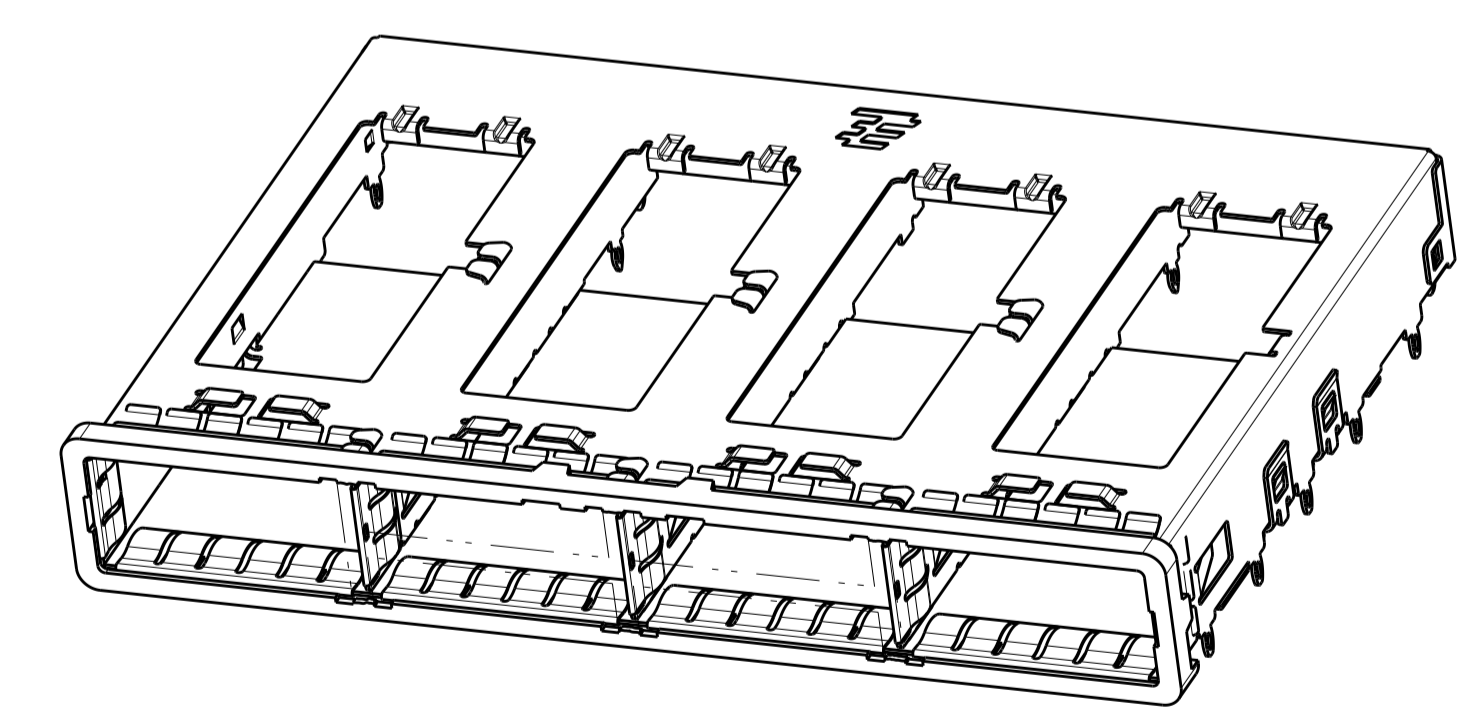
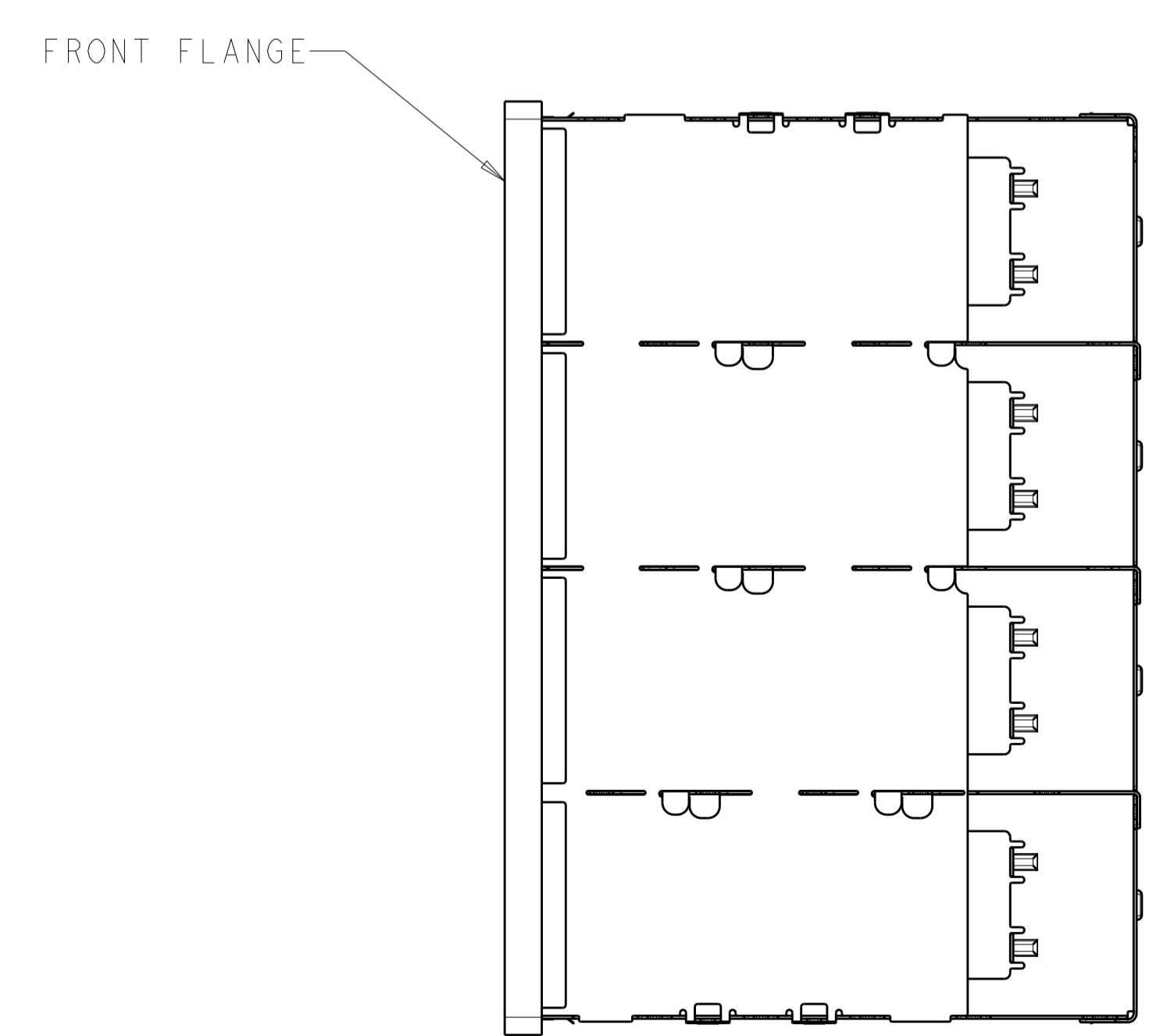


LOC	DIST	REVISIONS			
P	LTN	DESCRIPTION	DATE	DMN	APVD
E		REVISED PER ECR-12-009968	31MAY2012	DZ	AC
F		REVISED PER ECO-13-020244	31DEC2013	ZJ	JY
G		REVISED PER ECO-15-000148	10APR2015	RG	MC

- 1 SURFACE TRACES PERMITTED WITHIN THIS AREA EXCEPT WHERE CAGE STANDOFFS, SHOWN IN DETAIL S, CONTACT PC BOARD.
- 2 PITCH BETWEEN PORTS OF ONE 1X4 CAGE.
- 3 SPACING BETWEEN CAGES ON THE SAME PC BOARD. TO BE SPECIFIED BY CUSTOMER, MUST COMPLY WITH MINIMUM DIMENSIONS SHOWN.
- 4 REFERENCE APPLICATION SPEC 114-13218 FOR RECOMMENDED DRILL HOLE DIAMETER AND PLATING THICKNESS.
- 5 UNPLATED THRU HOLE.
- 6 DATUM AND BASIC DIMENSION ESTABLISHED BY CUSTOMER.
- 7 DATUM -A- IS TOP SURFACE OF THE HOST BOARD.
- 8 DIMENSION C IS THE NOMINAL THICKNESS OF CUSTOMER SUPPLIED PC BOARD. MINIMUM PC BOARD THICKNESS:  
 SINGLE SIDED: 1.45mm  
 DOUBLE SIDED: 2.2mm PER QSFP
- 9. MATES WITH QSFP MSA COMPATIBLE TRANSCEIVER.
- 10 BASELINE FOR THE DIMENSION IS CENTER OF COMPLIANT PIN HOLE.
- 11 2D BARCODE AND DATE CODE (YYWW) MARKED APPROXIMATELY AS SHOWN.
- 12 REFERENCE APP SPEC 114-13218 FOR GASKET THICKNESS CALCULATION.
- 13 MATERIAL:  
 CAGE ASSEMBLY: NICKEL SILVER, 0.25 THICK  
 EMI SPRINGS: COPPER ALLOY  
 FRONT FLANGE: ZINC ALLOY.
- 14 FINISH:  
 EMI SPRINGS: 2um MINIMUM TIN  
 FRONT FLANGE: 3um MINIMUM TIN OVER 1.27um MINIMUM NICKEL OVER 5.08um MINIMUM COPPER
- 15 HOLES ARE OPTIONAL WHEN PINS ON CENTRAL DIVIDER ARE REMOVED.



DETAIL S  
 SCALE 20:1



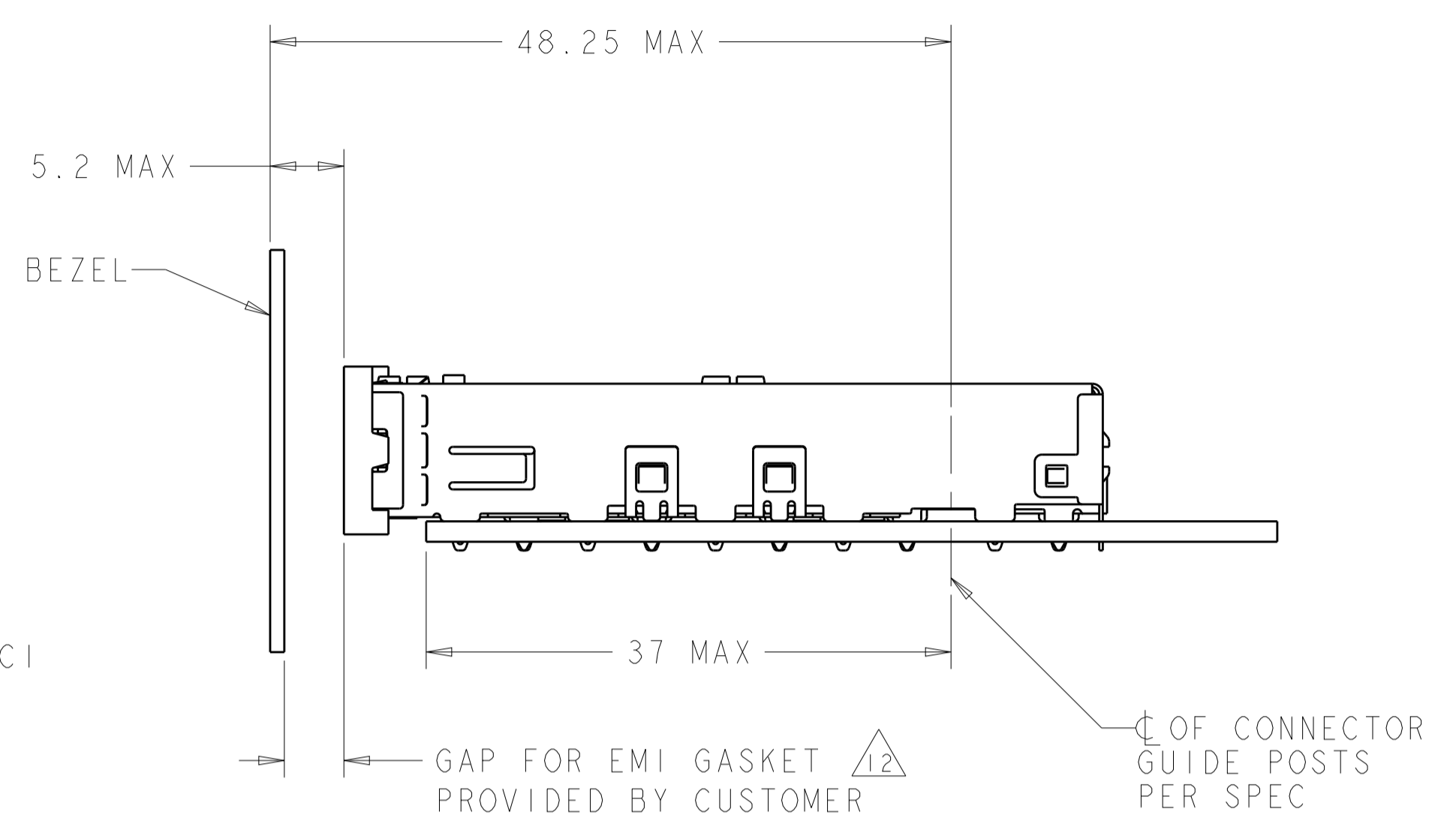
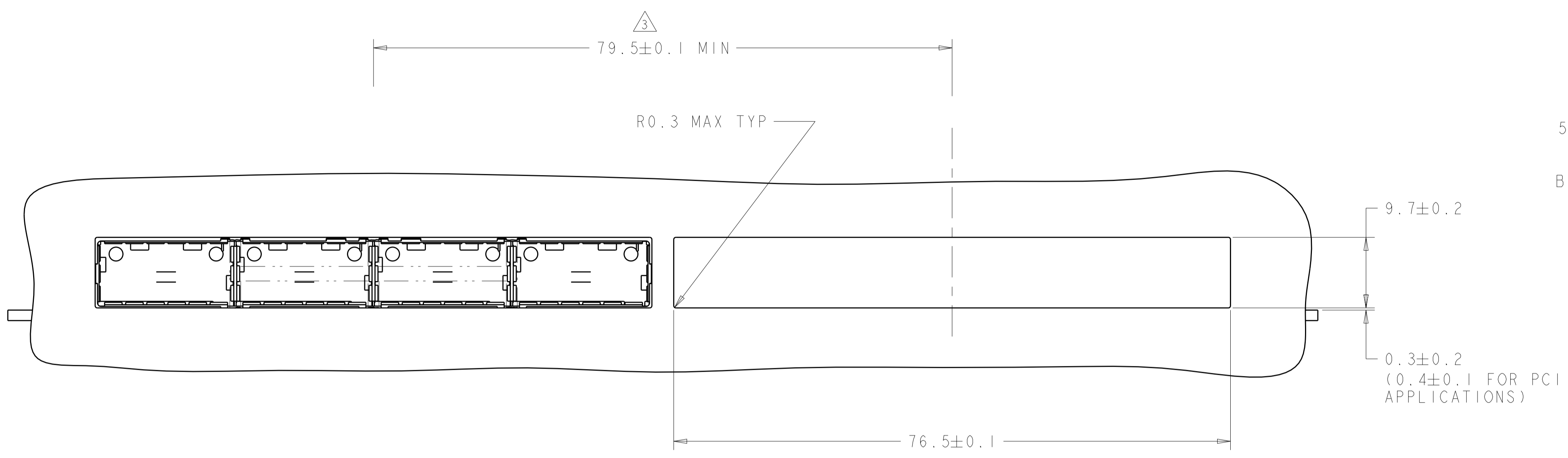
13.03	2007667-5
11.83	2007667-3
13.03	2007667-1
DIM A	PART NUMBER

THIS DRAWING IS A CONTROLLED DOCUMENT.		DMN C. VALENTINE 05JUN2008	TE Connectivity
DIMENSIONS:		CHK E. BRIGHT 05JUN2008	
mm	TOLERANCES UNLESS OTHERWISE SPECIFIED:	APVD E. BRIGHT 05JUN2008	NAME 1X4 CAGE ASSEMBLY, BEHIND BEZEL, QSFP
0 PLC ±	1 PLC ±0.1	PRODUCT SPEC	108-2286
2 PLC ±0.1	3 PLC ±0.013	APPLICATION SPEC	114-13218
4 PLC ±0.0001	ANGLES ±	SIZE	A100779C=2007667
MATERIAL	FINISH	WEIGHT	Customer Drawing
13	14	SCALE	2:1 SHEET 1 OF 4 REV G

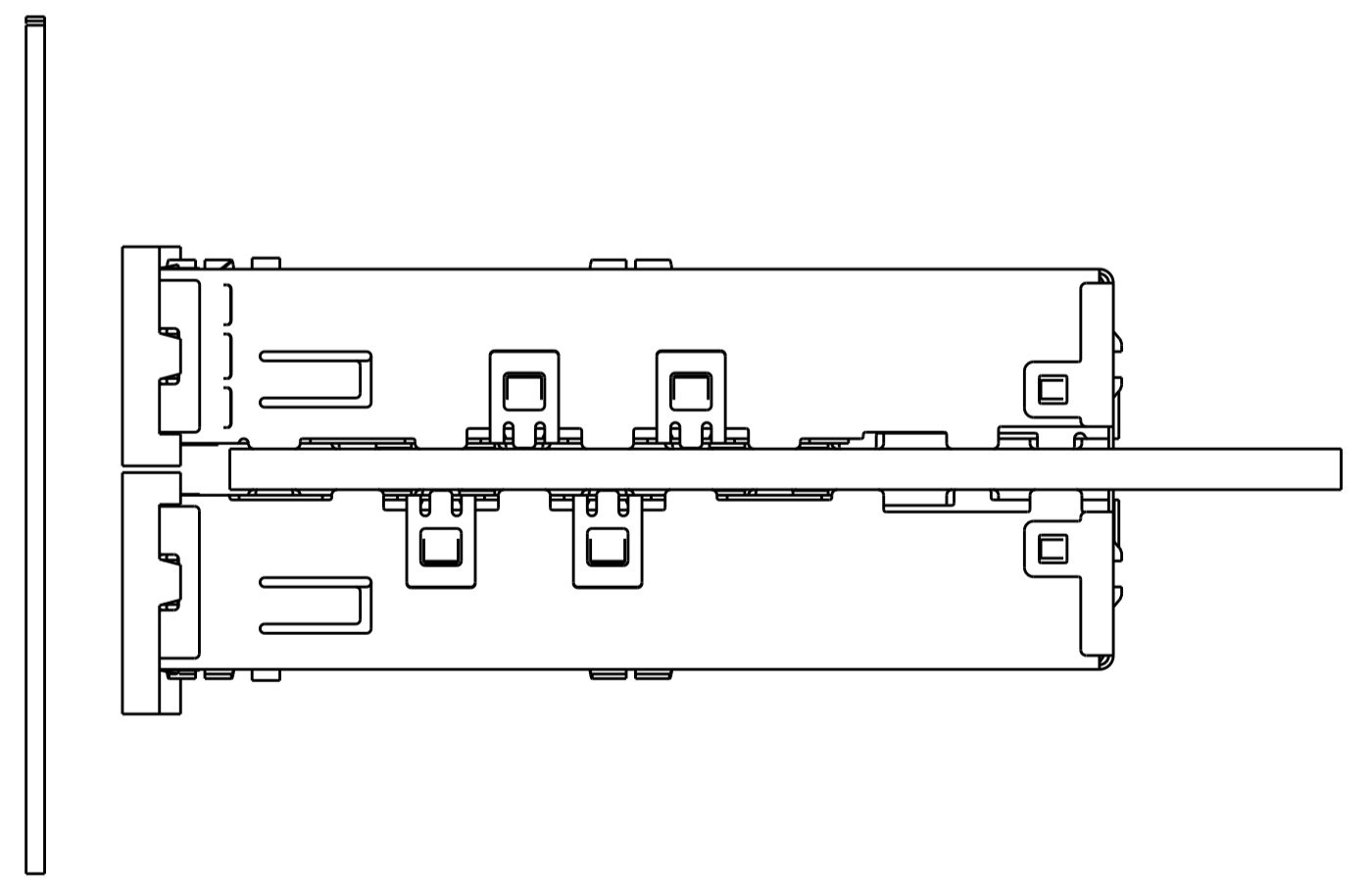
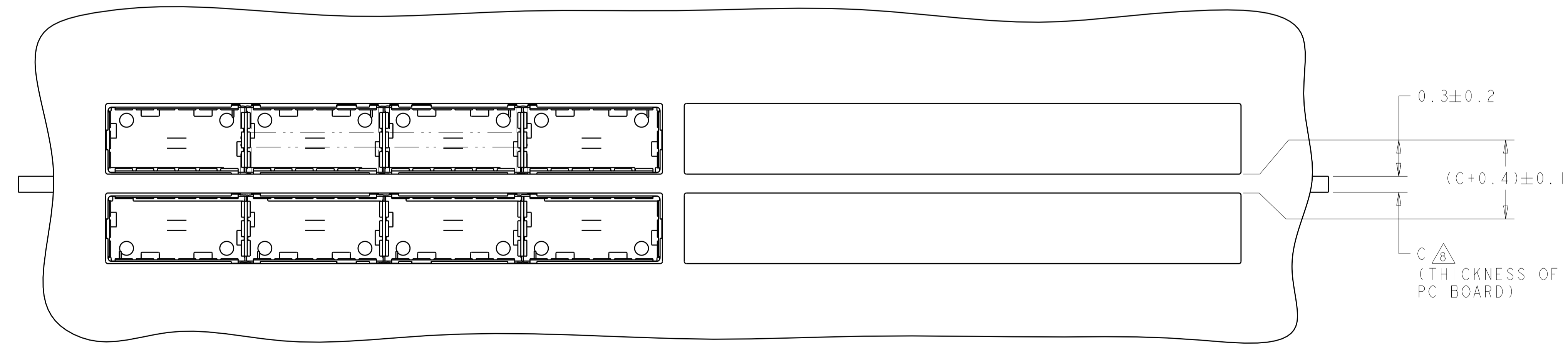
LOC	DIST	REV	DATE	BY	APPD
GP	00				

REVISIONS					
NO	DATE	DESCRIPTION	BY	APPD	REV
-	-	SEE SHEET 1	-	-	-



ONE SIDED CONFIGURATION  
 SCALE 5:2

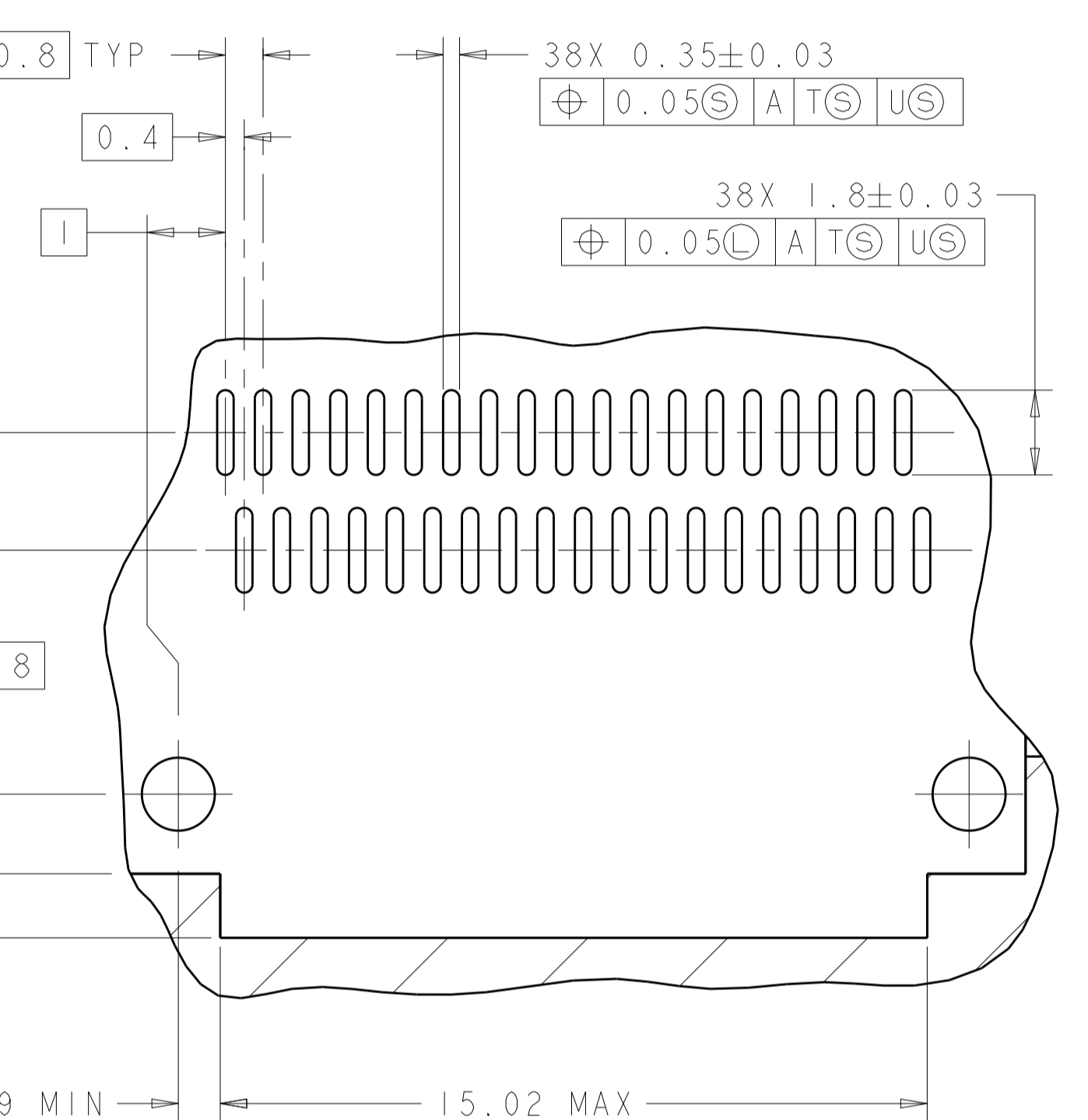
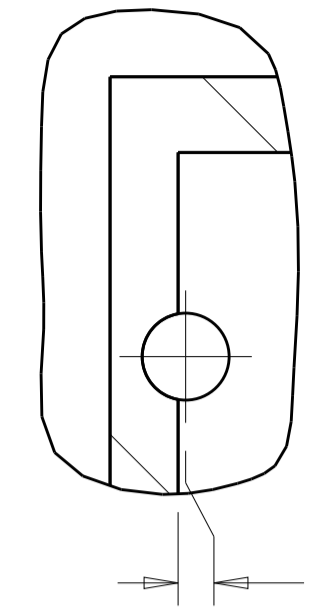
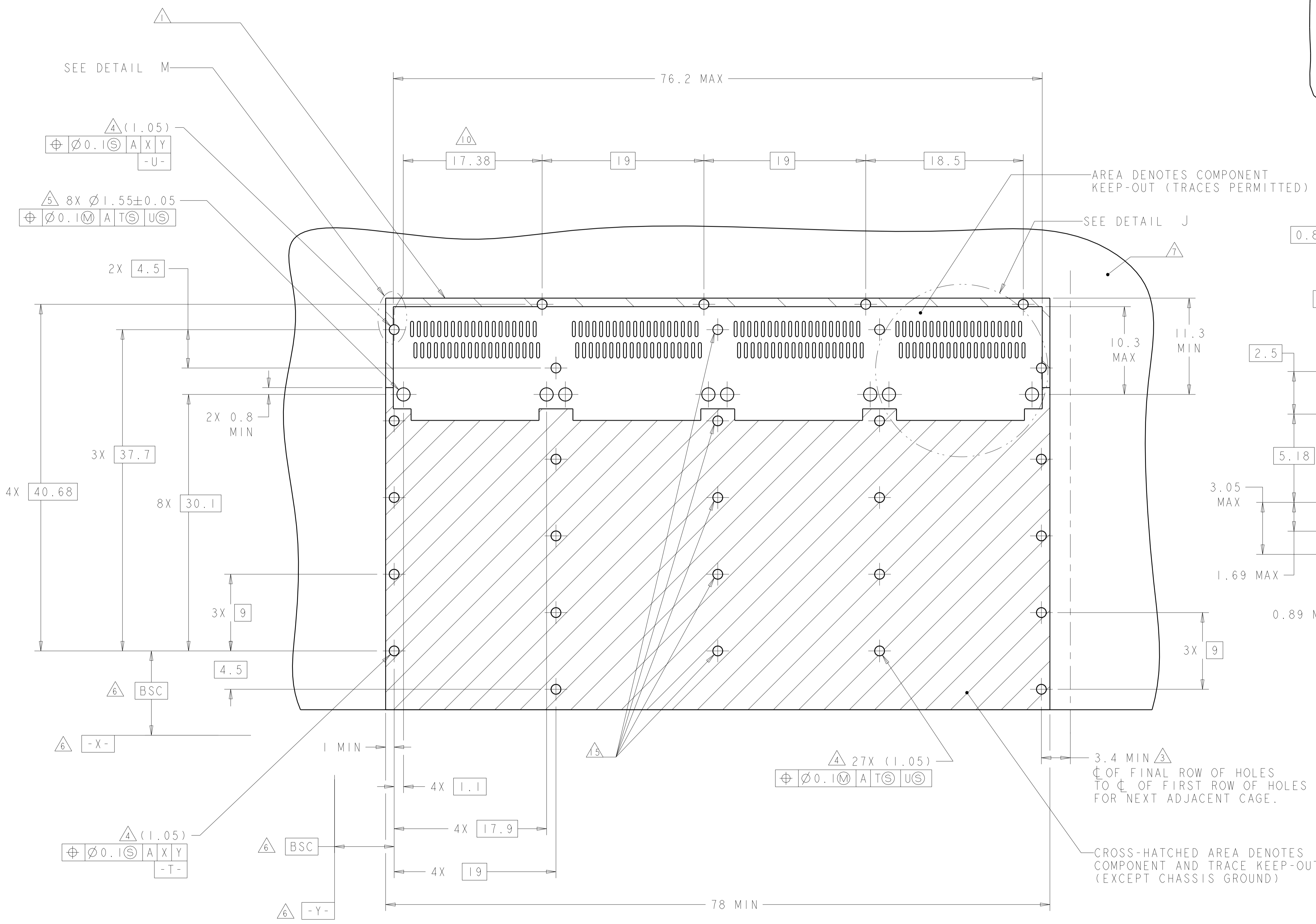


BELLY TO BELLY CONFIGURATION SIMILAR  
 TO ONE SIDED EXCEPT WHERE NOTED  
 SCALE 5:2

THIS PRODUCT HAS NOT COMPLETED VALIDATION/QUALIFICATION TESTING

THIS DRAWING IS A CONTROLLED DOCUMENT.		OWN: C. VALENTINE 05JUN2008	TE Connectivity
DIMENSIONS: mm		CHK: E. BRIGHT 05JUN2008	
TOLERANCES UNLESS OTHERWISE SPECIFIED:		APVD: F. BRIGHT 05JUN2008	NAME: 1X4 CAGE ASSEMBLY, BEHIND BEZEL, QSFP
0 PLC ±	1 PLC ±0.1	PRODUCT SPEC	SIZE: CAGE CODE DRAWING NO
2 PLC ±0.1	3 PLC ±0.013	108-2286	RESTRICTED TO
4 PLC ±0.0001	ANGLES ±	APPLICATION SPEC	A100779C=2007667
MATERIAL: -	FINISH: -	114-13218	SCALE: 2:1 SHEET 2 OF 4 REV G
		WEIGHT: -	Customer Drawing

LOC	DIST	REVISIONS			
GP	00	REV	DATE	BY	APPV
		1	SEE SHEET 1		



RECOMMENDED PC BOARD LAYOUT  
SINGLE SIDE MOUNT CONFIGURATION  
SCALE 4:1

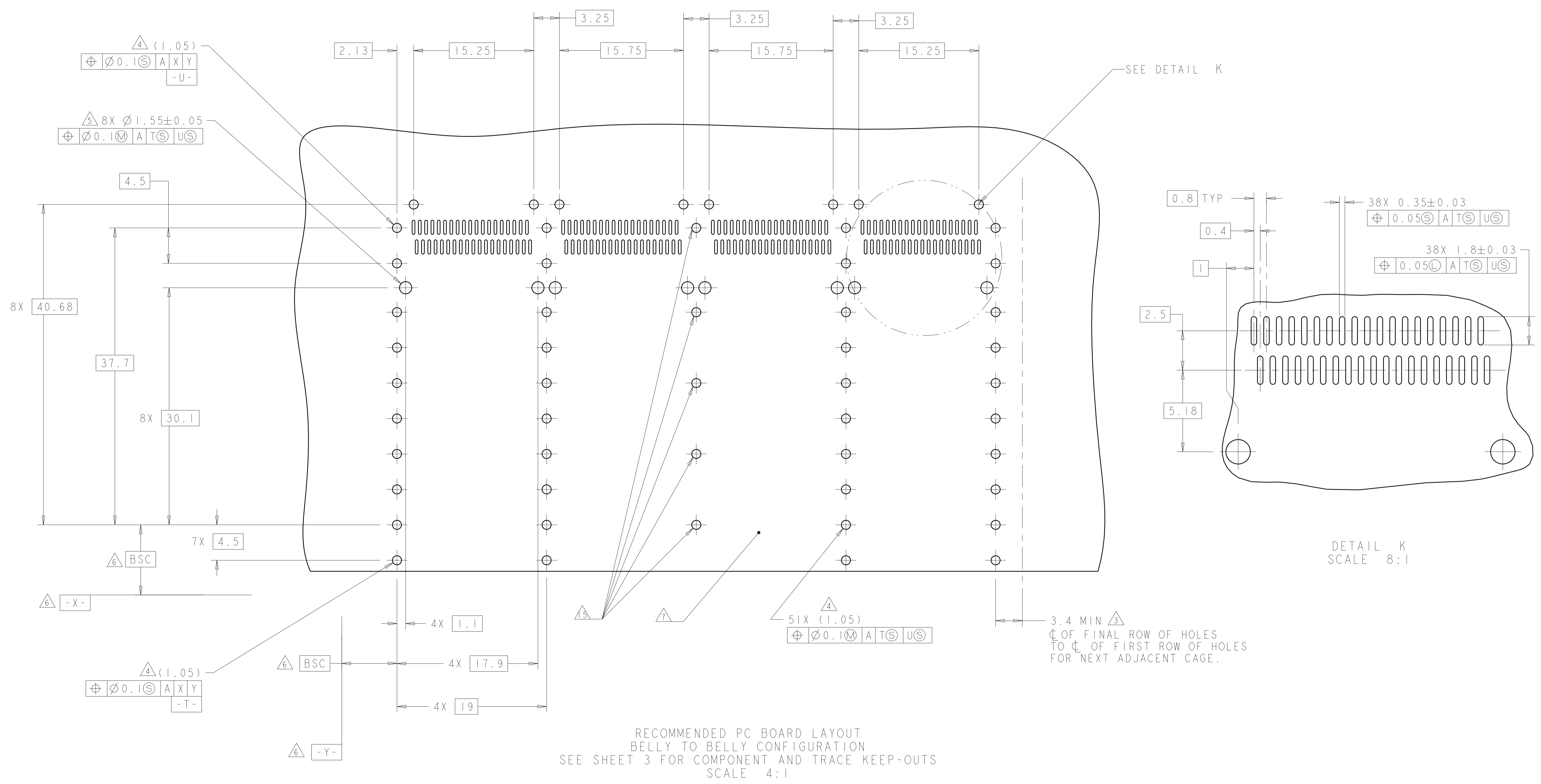
THIS PRODUCT HAS NOT COMPLETED VALIDATION/QUALIFICATION TESTING

THIS DRAWING IS A CONTROLLED DOCUMENT.		DWN C. VALENTINE 05JUN2008	 TE Connectivity
DIMENSIONS:		CHK E. BRIGHT 05JUN2008	
TOLERANCES UNLESS OTHERWISE SPECIFIED:		APVD E. BRIGHT 05JUN2008	
mm		PRODUCT SPEC	
$\varnothing$ 0 PLC ±0.1 $\varnothing$ 1 PLC ±0.1 $\varnothing$ 3 PLC ±0.13 $\varnothing$ 4 PLC ±0.0001 ANGLES ±0.0001		NAME 1X4 CAGE ASSEMBLY, BEHIND BEZEL, QSFP	
MATERIAL		SIZE CAGE CODE DRAWING NO A100779C=2007667	RESTRICTED TO
FINISH		WEIGHT	SCALE 2:1 SHEET 3 OF 4 REV G
		Customer Drawing	

LOC	DIST	REV	DATE	BY	APPV
GP	00				

REVISIONS			
REV	DATE	BY	APPV
-	-	-	-
SEE SHEET 1			



RECOMMENDED PC BOARD LAYOUT  
 BELLY TO BELLY CONFIGURATION  
 SEE SHEET 3 FOR COMPONENT AND TRACE KEEP-OUTS  
 SCALE 4:1

THIS DRAWING IS A CONTROLLED DOCUMENT.		OWN C. VALENTINE 05JUN2008	 TE Connectivity
DIMENSIONS: mm		CHK E. BRIGHT 05JUN2008	
TOLERANCES UNLESS OTHERWISE SPECIFIED:		APVD E. BRIGHT 05JUN2008	NAME 1X4 CAGE ASSEMBLY, BEHIND BEZEL, QSFP
0 PLC ±0.1 1 PLC ±0.1 2 PLC ±0.1 3 PLC ±0.013 4 PLC ±0.0001 ANGLES ±0.0001		PRODUCT SPEC 108-2286	
MATERIAL		APPLICATION SPEC 114-13218	SIZE A100779
FINISH		WEIGHT	RESTRICTED TO
		Customer Drawing	SCALE 2:1 SHEET 4 OF 4 REV G

THIS PRODUCT HAS NOT COMPLETED VALIDATION/QUALIFICATION TESTING

单击下面可查看定价，库存，交付和生命周期等信息

[>>TE Connectivity\(泰科\)](#)