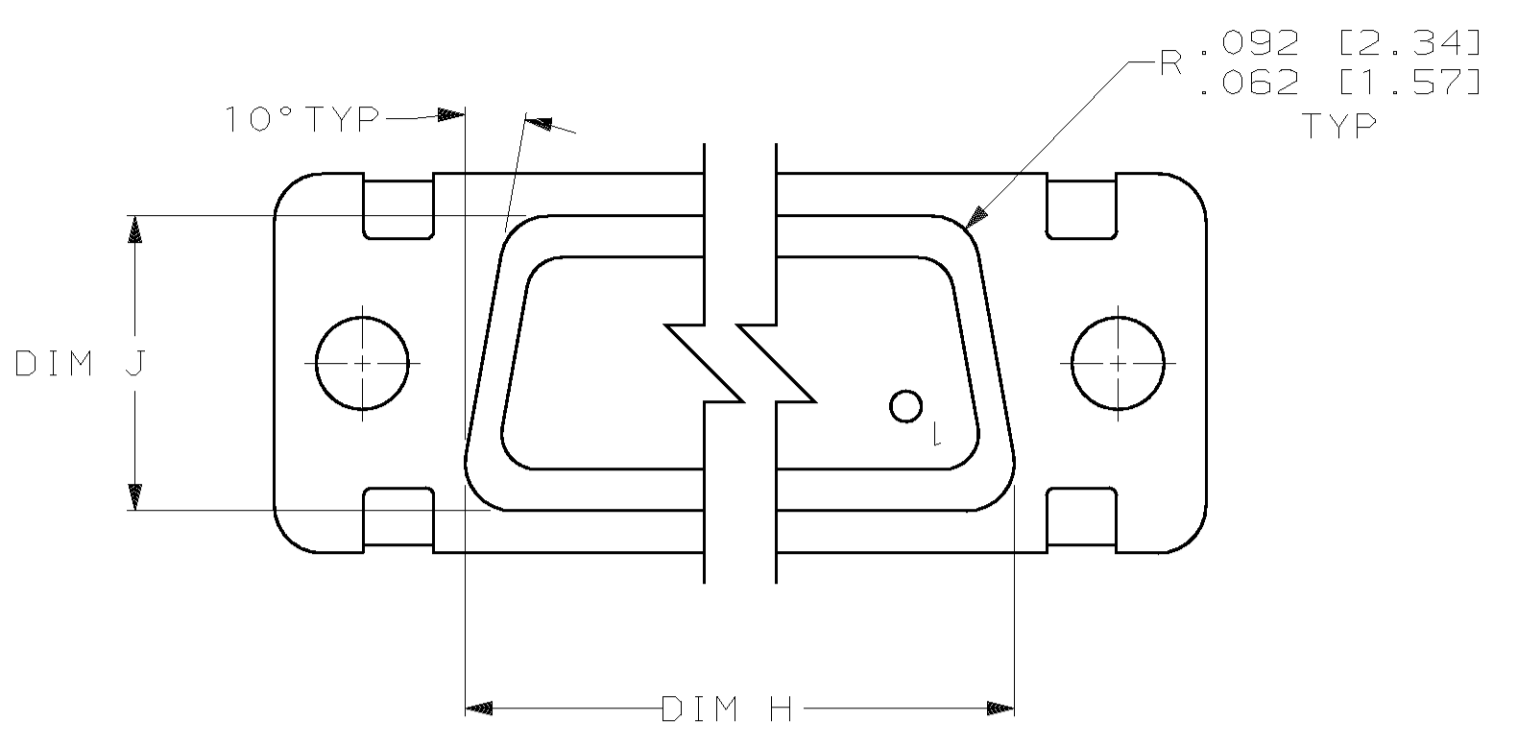
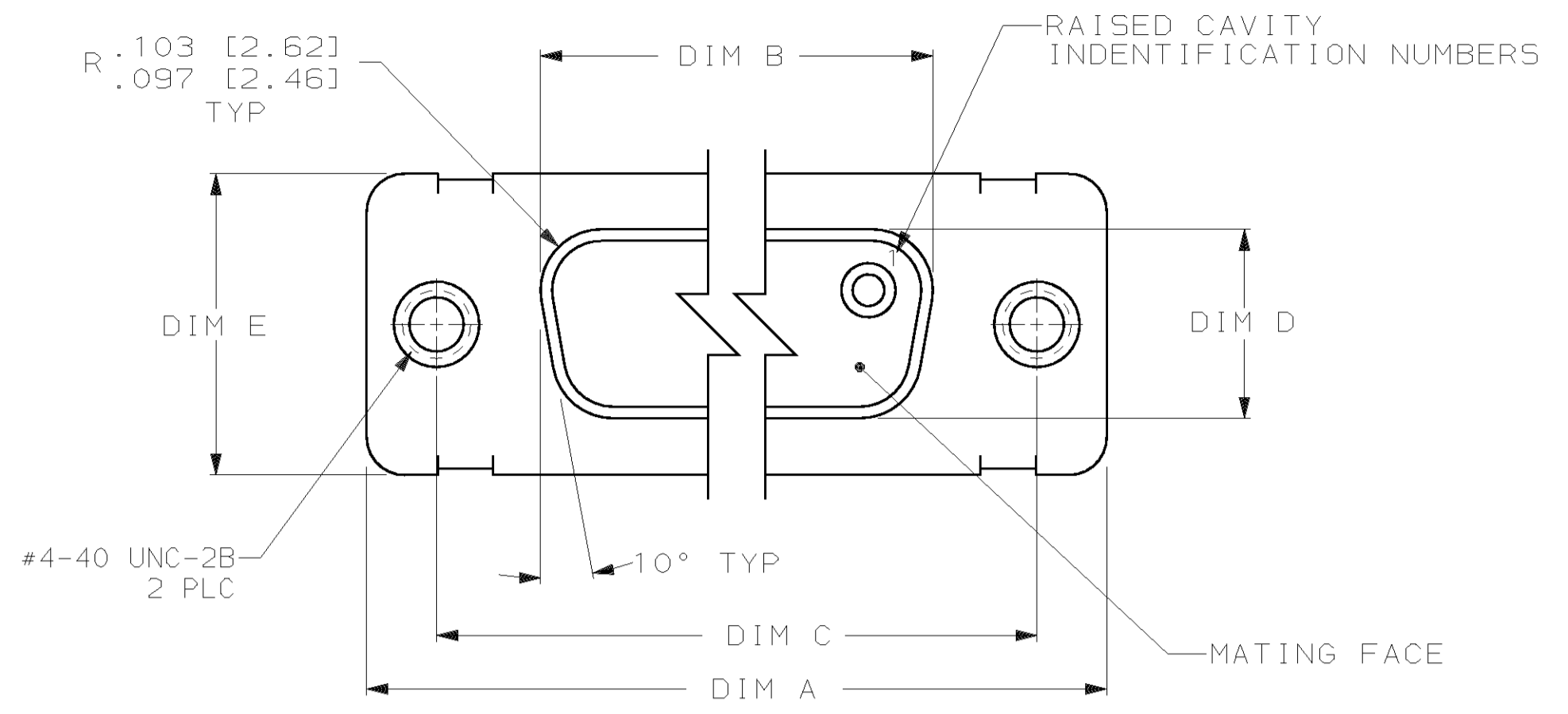


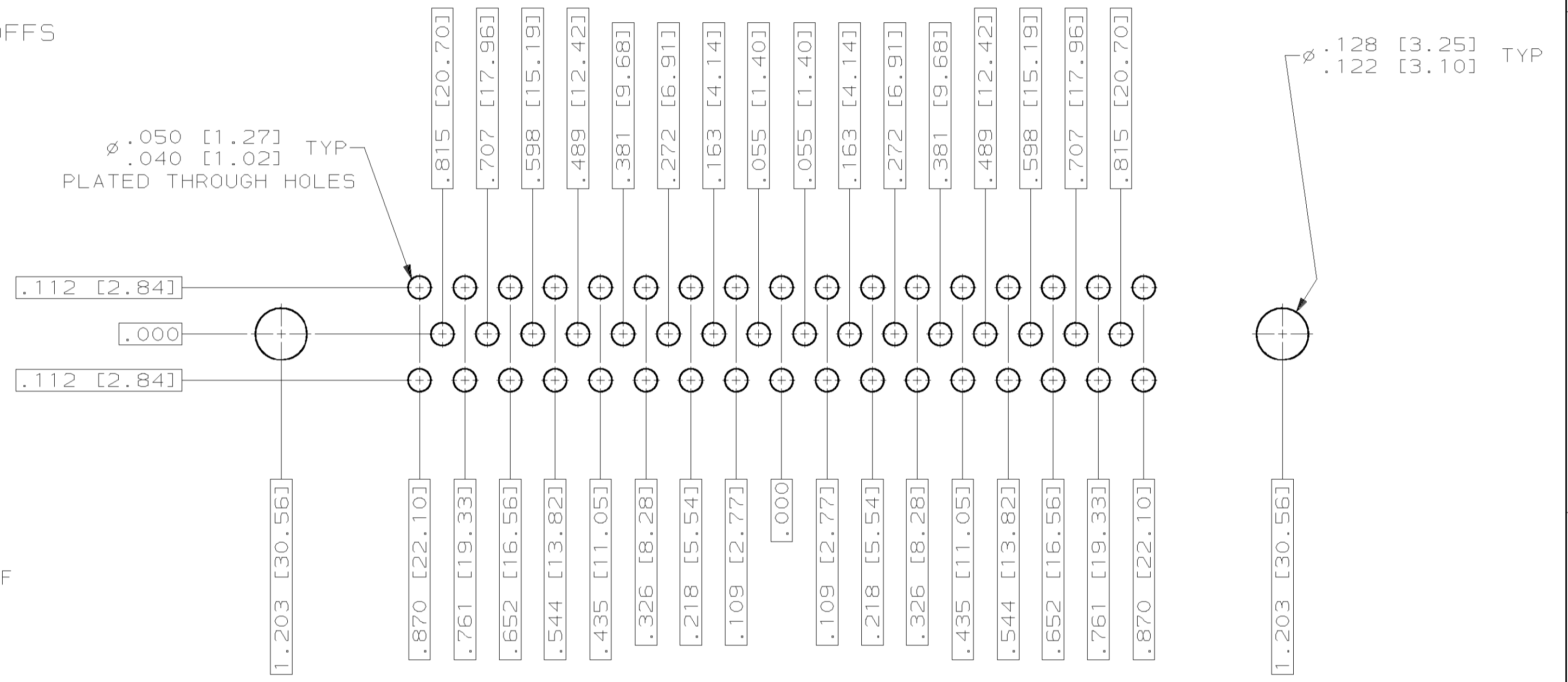
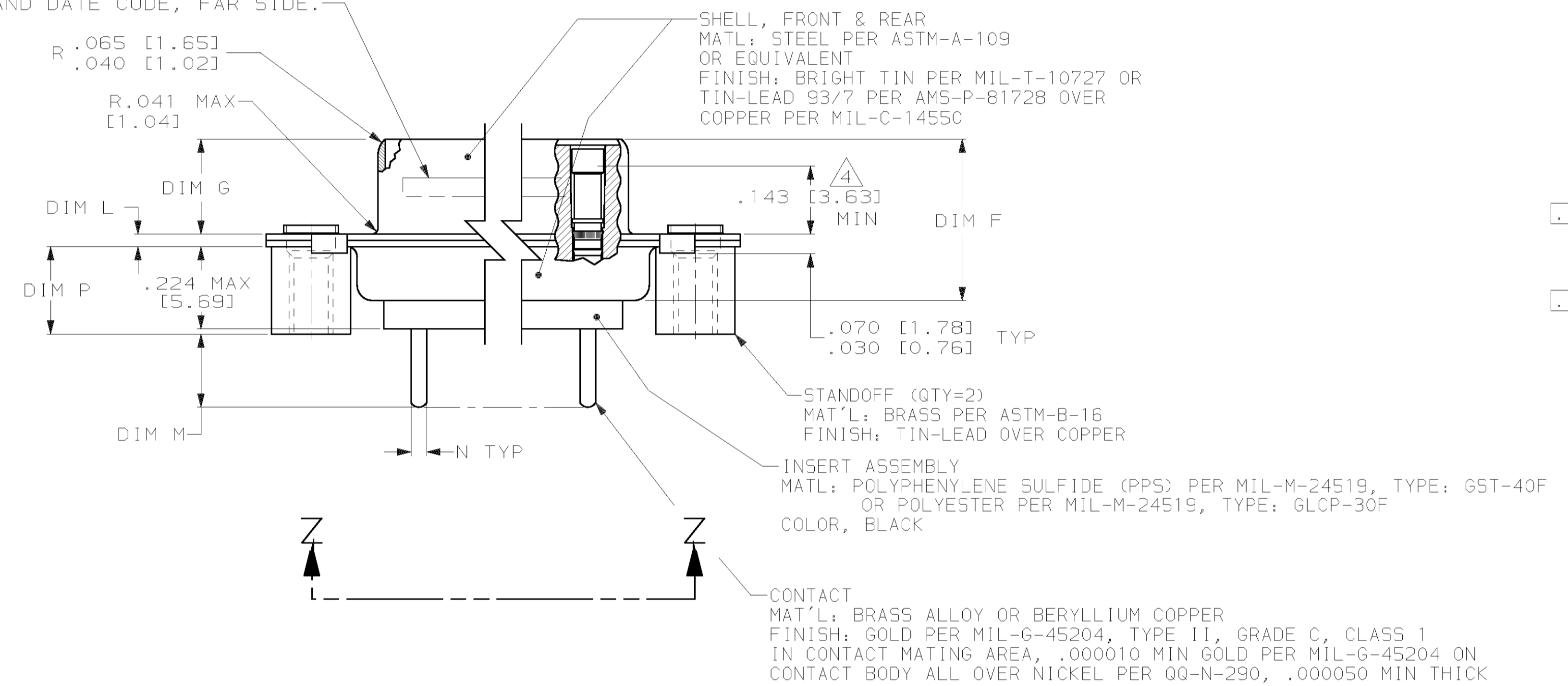
LOC	DIST	REV	DATE	BY	APPV
DF	DO	0	4-01	CT	DM



VIEW Z-Z
SHOWN WITHOUT
CONTACTS & STANDOFFS

- TRUE POSITION TOLERANCE FOR P.C. BOARD LAYOUT IS .010 [0.25] AT MAX MATERIAL CONDITION. SUGGESTED BOARD THICKNESS IS .094 [2.39]
- THE CONNECTORS DESCRIBED IN THIS DOCUMENT WILL MATE WITH ANY PLUG CONNECTOR WITH THE SAME INSERT ARRANGEMENT.
- MARKED WITH .047 [1.19]-.062 [1.57] HIGH CHARACTERS. FAR SIDE REFERS TO THE WIDE SIDE OF THE KEYSTONE. NEAR SIDE REFERS TO THE NARROW SIDE OF THE KEYSTONE. IF THE FRONT SHELL IS TOO SMALL FOR "AMP", AMP PART NUMBER AND DATE CODE, THEN SPLIT AS FOLLOWS:
A. AMP PART NUMBER ON REAR SHELL, NEAR SIDE.
B. "AMP" AND DATE CODE ON FRONT SHELL, NEAR SIDE.
- POINT OF ELECTRICAL ENGAGEMENT - AS MEASURED WITH A .0390 [0.991]-.0393 [0.998] DIA SQUARE ENDED TEST PIN.

3 MARK AMP, AMP PART NO AND DATE CODE, FAR SIDE.



RECOMMENDED P.C. BOARD LAYOUT
SHELL SIZE 5 (50 POSITION)

.230 [5.84]	.033 [0.84]	.171 [4.34]	.040 [1.02]	.544 [13.82]	2.188 [55.58]	.248 [6.30]	.439 [11.15]	.620 [15.75]	.428 [10.87]	2.411 [61.24]	2.069 [52.55]	2.650 [67.31]	M518277-1	50	5	1218997-5
.220 [5.59]	.027 [0.69]	.131 [3.33]	.020 [0.51]	.524 [13.31]	2.168 [55.07]	.238 [6.05]	.419 [10.64]	.590 [14.99]	.418 [10.62]	2.401 [60.99]	2.059 [52.30]	2.620 [66.55]	INSERT ARRANGEMENT	NO OF POS	SHELL SIZE	PART NUMBER

PRELIMINARY- NOT RELEASED FOR PRODUCTION

THIS DRAWING IS A CONTROLLED DOCUMENT.

DIMENSIONS: INCHES (mm)	TOLERANCES UNLESS OTHERWISE SPECIFIED:	DRAWN: C.C. THOMAS 4-23-01	AMP Incorporated Harrisburg, PA 17105-3608
0 PLC ±.005	1 PLC ±.005	CHK: D. MILLER 4-23-01	NAME: AMPLIMITE RECEPTACLE ASSY, LOW PROFILE SIZE 20 POSTED P.C. BOARD CONTACTS SERIES 109, SIZE 5
2 PLC ±.005	3 PLC ±.005	APPV: D. MILLER 4-23-01	PRODUCT SPEC: -
4 PLC ±.005	ANGLES ±.005	APPLICATION SPEC: -	SIZE: A1
MATERIAL: SEE CALLOUTS	FINISH: SEE CALLOUTS	WEIGHT: -	CAGE CODE: 00779
CUSTOMER DRAWING		SCALE: 4:1	SHEET 1 OF 1

单击下面可查看定价，库存，交付和生命周期等信息

[>>TE Connectivity\(泰科\)](#)