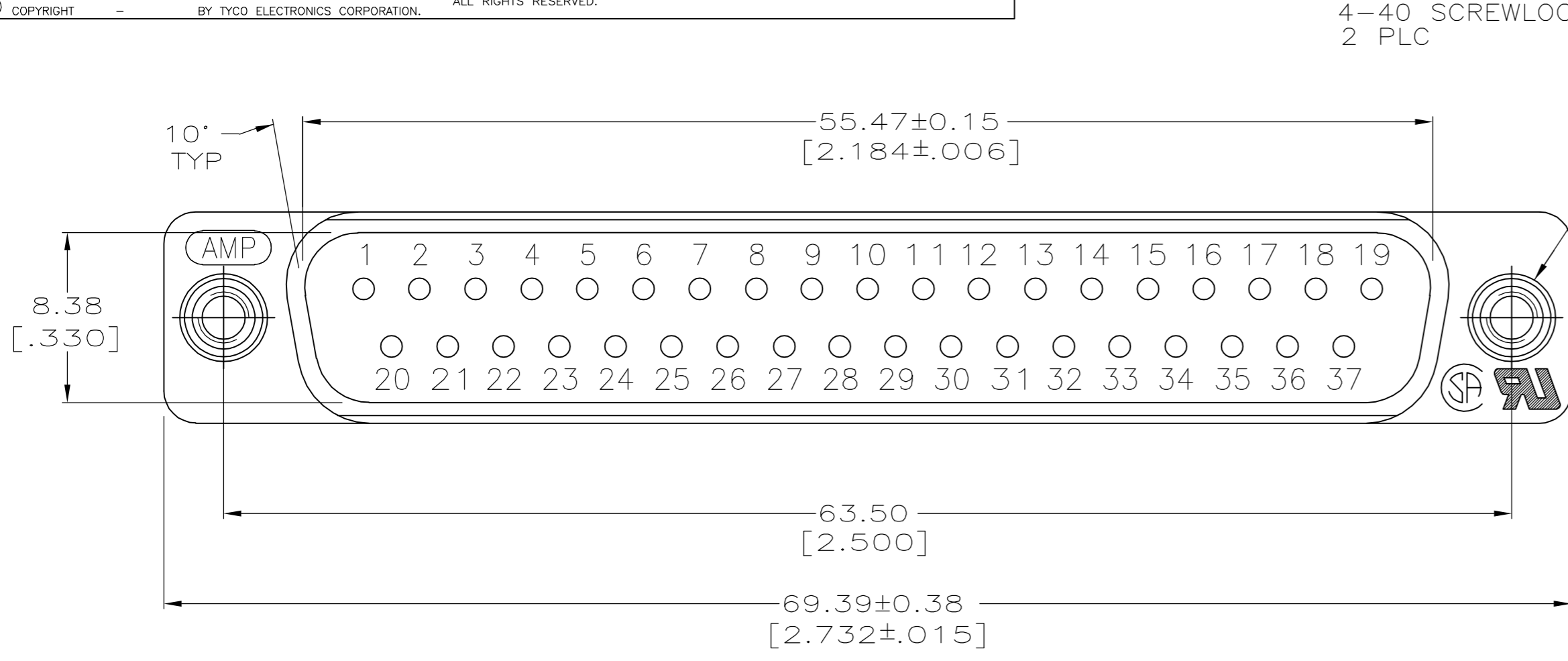
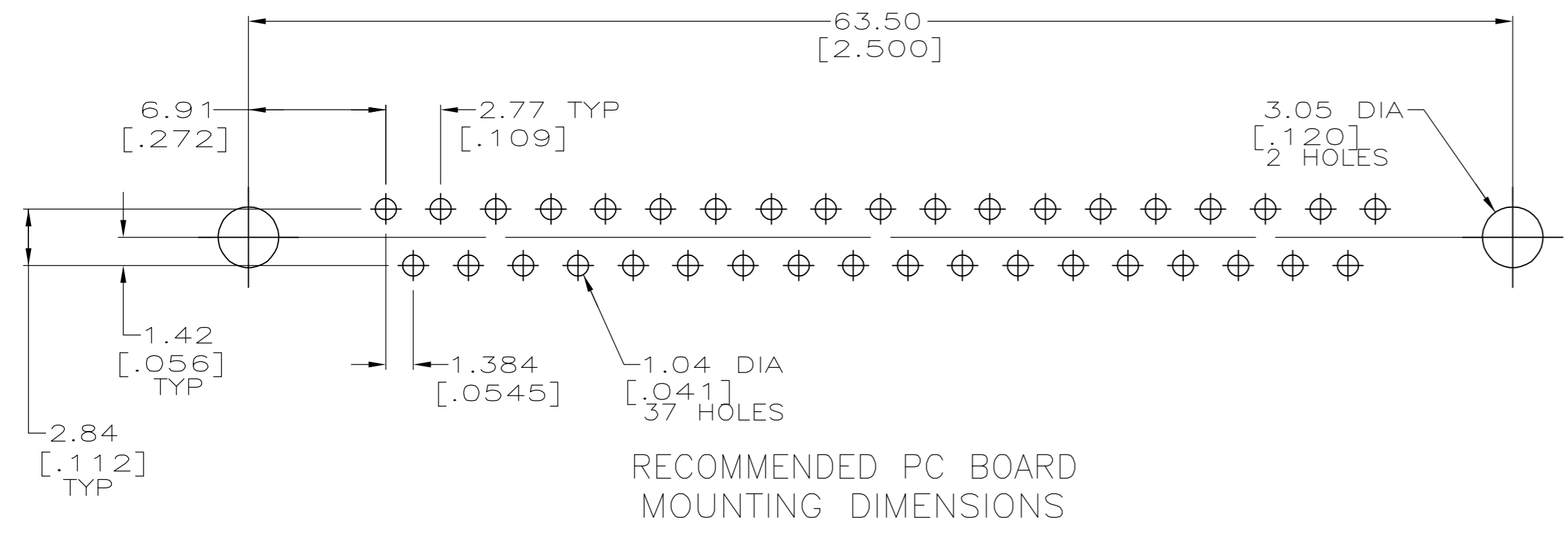
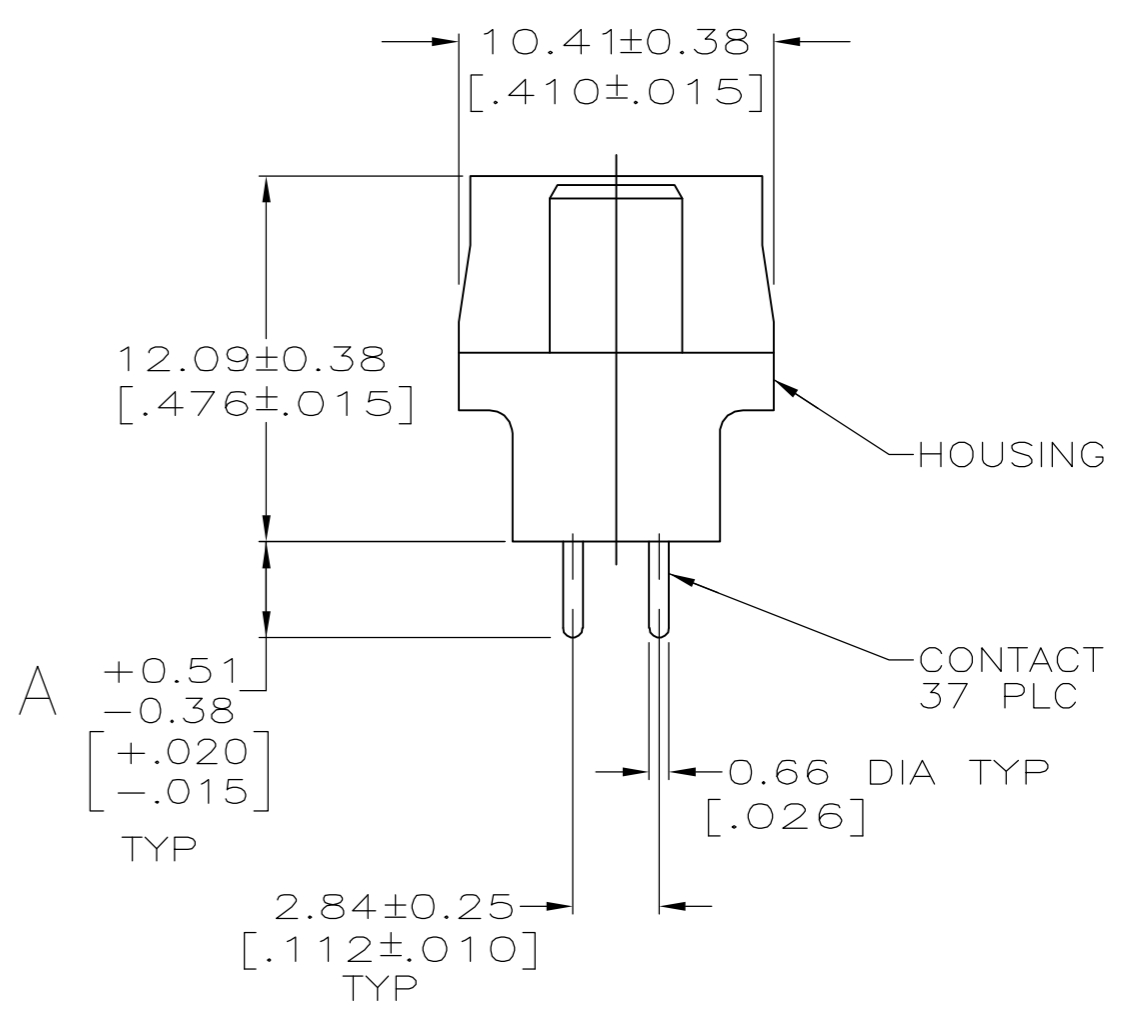
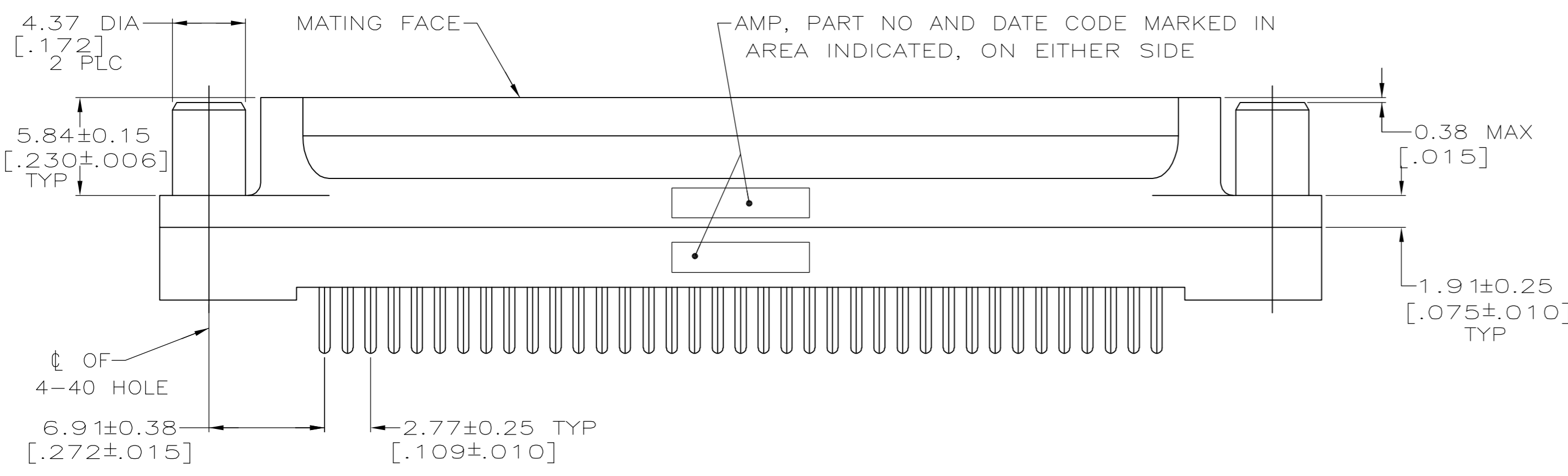


THIS DRAWING IS UNPUBLISHED. RELEASED FOR PUBLICATION
 © COPYRIGHT BY TYCO ELECTRONICS CORPORATION. ALL RIGHTS RESERVED.

| LOC | DIST | REVISIONS | | | | | |
|-----|------|-----------|-----|------------------------|-----------|-----|------|
| GP | 00 | P | LTR | DESCRIPTION | DATE | DWN | APVD |
| | | H | | REVISED PER ECO-028338 | 11/DEC/06 | ZMR | EDB |



- 1 HOUSING: BLACK POLYESTER, UL 94V-0 RATED; CONTACTS: BRASS; SCREWLOCK: BRASS
- 2 GOLD PLATED FOR LENGTH OF 3.81 [.150] MIN FROM MATING END, GOLD FLASH IN MATED AREA, 2.54µm [.000100] MIN TIN OR TIN-LEAD FOR A LENGTH OF DIMENSION A FROM OPPOSITE END, BOTH OVER 1.27µm [.000050] MIN NICKEL.
- 3 GOLD PLATED FOR LENGTH OF 3.81 [.150] MIN FROM MATING END, 0.76µm [.000030] MIN GOLD IN MATED AREA, 2.54µm [.000100] MIN TIN OR TIN-LEAD FOR A LENGTH OF DIMENSION A FROM OPPOSITE END, BOTH OVER 1.27µm [.000050] MIN NICKEL.
-OR-
GOLD FLASH OVER PALLADIUM NICKEL FOR A LENGTH OF 3.81 [.150] MIN FROM MATING END, 0.76µm [.000030] MIN PALLADIUM NICKEL IN MATED AREA, 2.54µm [.000100] MIN TIN OR TIN-LEAD FOR A LENGTH OF DIMENSION A FROM OPPOSITE END, BOTH OVER 1.27µm [.000050] MIN NICKEL.
- 4 1.27µm [.000050] MIN NICKEL OVER COPPER FLASH.



| | | | | |
|----------|-------------|--------|----------------|-------------|
| OBSOLETE | 6.35 | [.250] | 3 | 745074-6 |
| OBSOLETE | 6.35 | [.250] | 2 | 745074-5 |
| | 4.32 | [.170] | 3 | 745074-4 |
| OBSOLETE | 4.32 | [.170] | 2 | 745074-3 |
| | 3.18 | [.125] | 3 | 745074-2 |
| | 3.18 | [.125] | 2 | 745074-1 |
| | DIMENSION A | | CONTACT FINISH | PART NUMBER |

| | | | | | | |
|--|--------------------|------------------|-------------|----------|---|--|
| THIS DRAWING IS A CONTROLLED DOCUMENT. | | DWN | J McCLINTON | 11-15-89 | Tyco Electronics Corporation Harrisburg, PA 17105-3608 | |
| DIMENSIONS: mm [INCHES] | | CHK | R.STONE | 2-1-90 | | |
| TOLERANCES UNLESS OTHERWISE SPECIFIED: | | APVD | C. ROHDE | 2-2-90 | | |
| 0 PLC ± - 1 PLC ± - 2 PLC ± 0.13 [.005] 3 PLC ± - 4 PLC ± - ANGLES ± 2° | | PRODUCT SPEC | 108-40025 | | | |
| MATERIAL | FINISH | WEIGHT | - | | NAME | PLUG ASSEMBLY, SIZE 4, 37 POSN, VERTICAL, AMPLIMITE® HD-20 |
| | SCREWLOCK 4 | CUSTOMER DRAWING | SCALE | 4:1 | SIZE | A2 |
| | CONTACT: SEE TABLE | | SHEET | 1 of 1 | CAGE CODE | 00779 |
| | | | REV | H | DRAWING NO | C=745074 |

单击下面可查看定价，库存，交付和生命周期等信息

[>>TE Connectivity\(泰科\)](#)