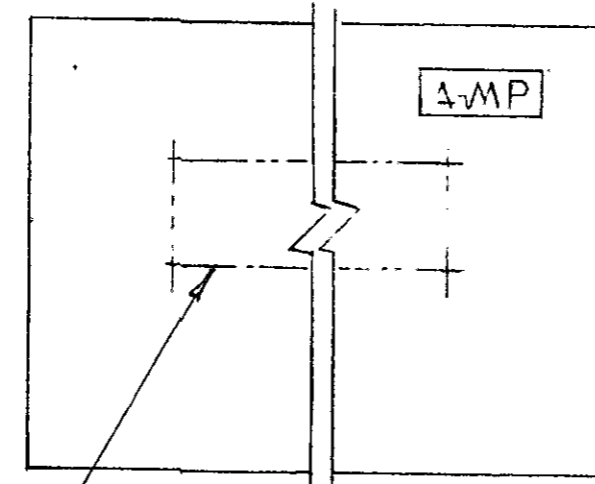
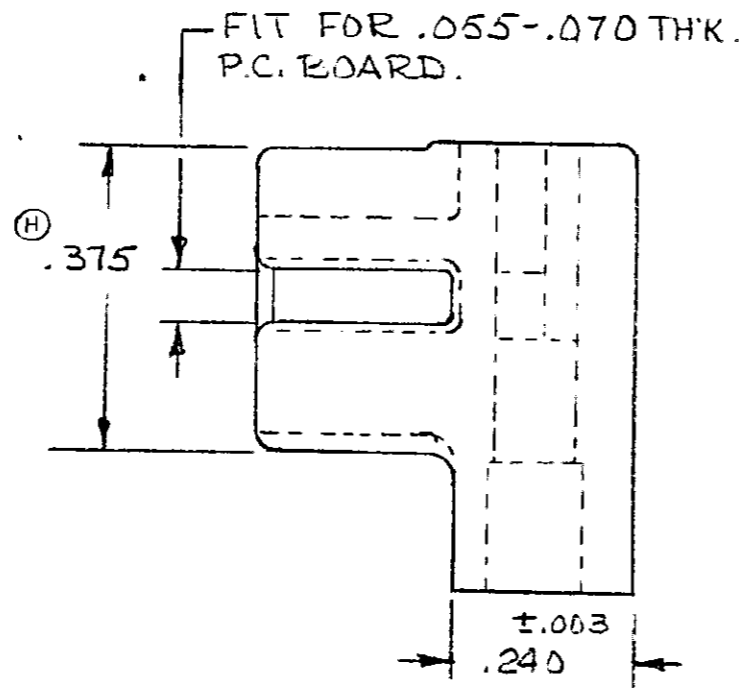
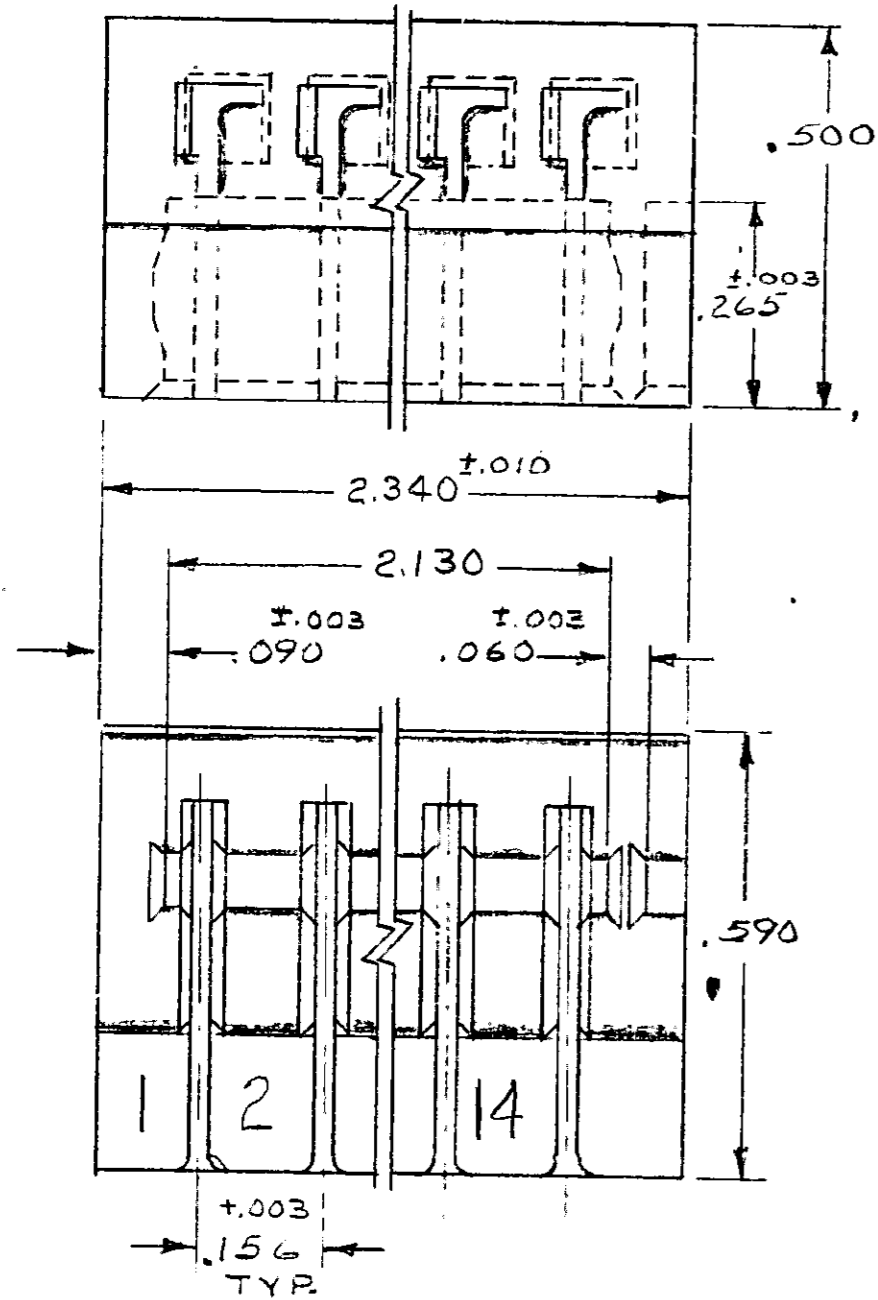


REVISIONS				
ZONE	LTR	DESCRIPTION	DATE	APPROVED
	L2	REVISED PER ECO-13-014539	13SEP13	MM

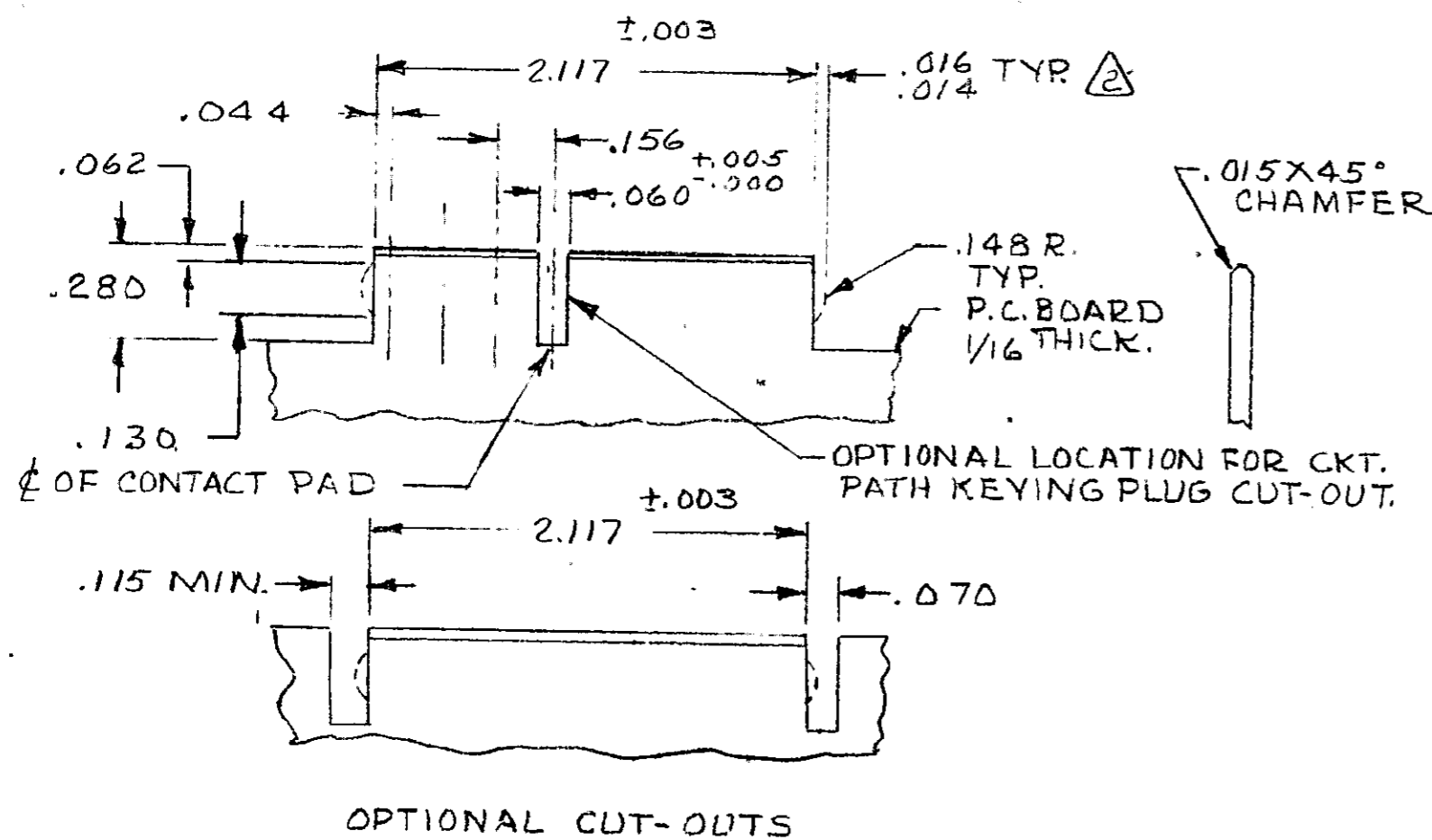
PART NO	COLOR
582372-1	BROWN
582372-2	RED
582372-3	ORANGE
582372-4	YELLOW
582372-5	GREEN
582372-6	BLUE
582372-7	VIOLET
582372-8	GRAY
582372-9	NATURAL
582372-0	BLACK

OBSOLETE



PART NO. & DATE CODE MARKED OR MOLDED IN THIS AREA, DATE CODE (OPTIONAL)

1. REFER TO 60215 & 583284 FOR TERMINAL
2. THE RETAINING DIMPLES ARE OPTIONAL IN BOTH CUT-OUTS.



UNLESS OTHERWISE SPECIFIED, DIMENSIONS ARE IN INCHES TOLERANCES ON: DECIMALS ±.005 ANGLES ±	CONTRACT NO.	TE Connectivity NAME HOUSING, DUO-TYNE FLAG, 14 POSITION.			
	MATERIAL NYLON				DR <i>W. P. ...</i> 2-9-72 CHK <i>J. S. Heide</i> 2-21-72 APPD <i>Dr. Bushey</i> 2-22-72 REL <i>R. Skuman</i> 2-22-72
	OTHER APPD	SCALE 1-1	SHEET 1 OF 1		

NUMBER 582372

单击下面可查看定价，库存，交付和生命周期等信息

[>>TE Connectivity\(泰科\)](#)