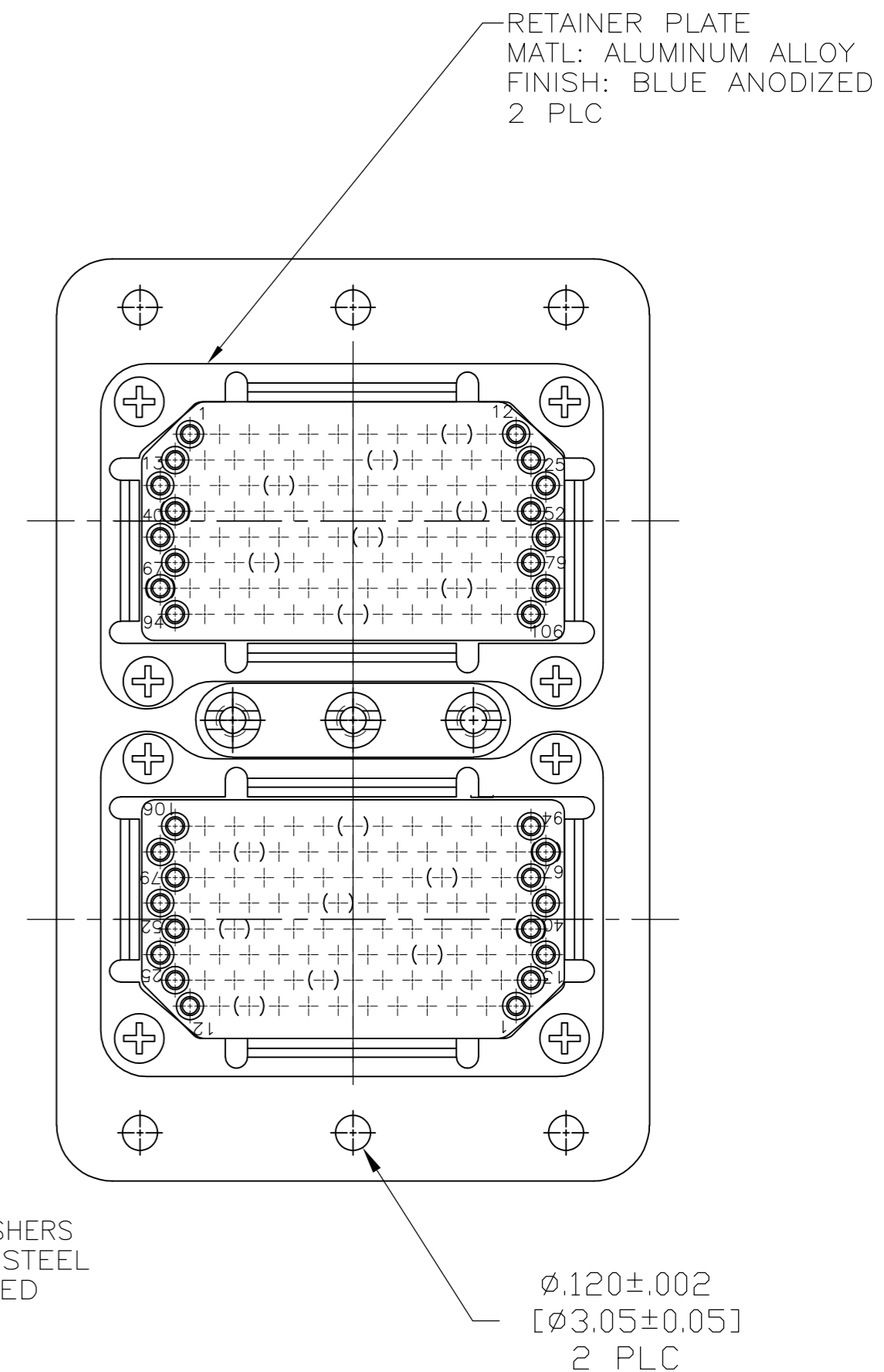
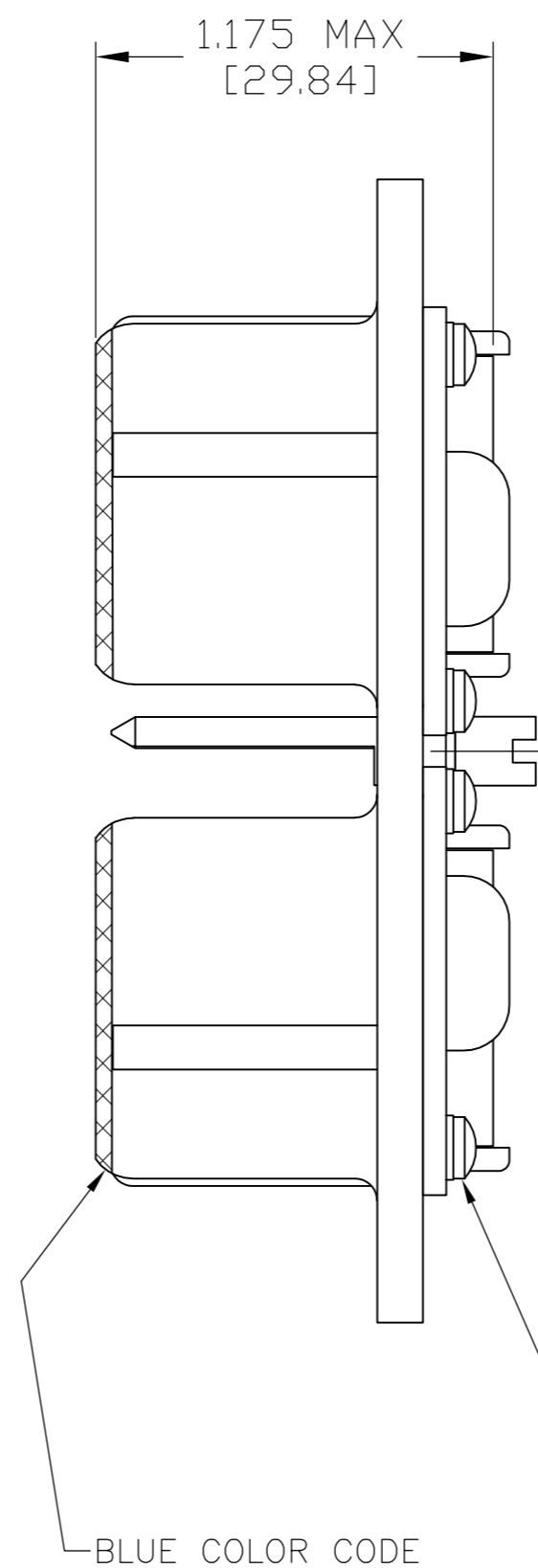
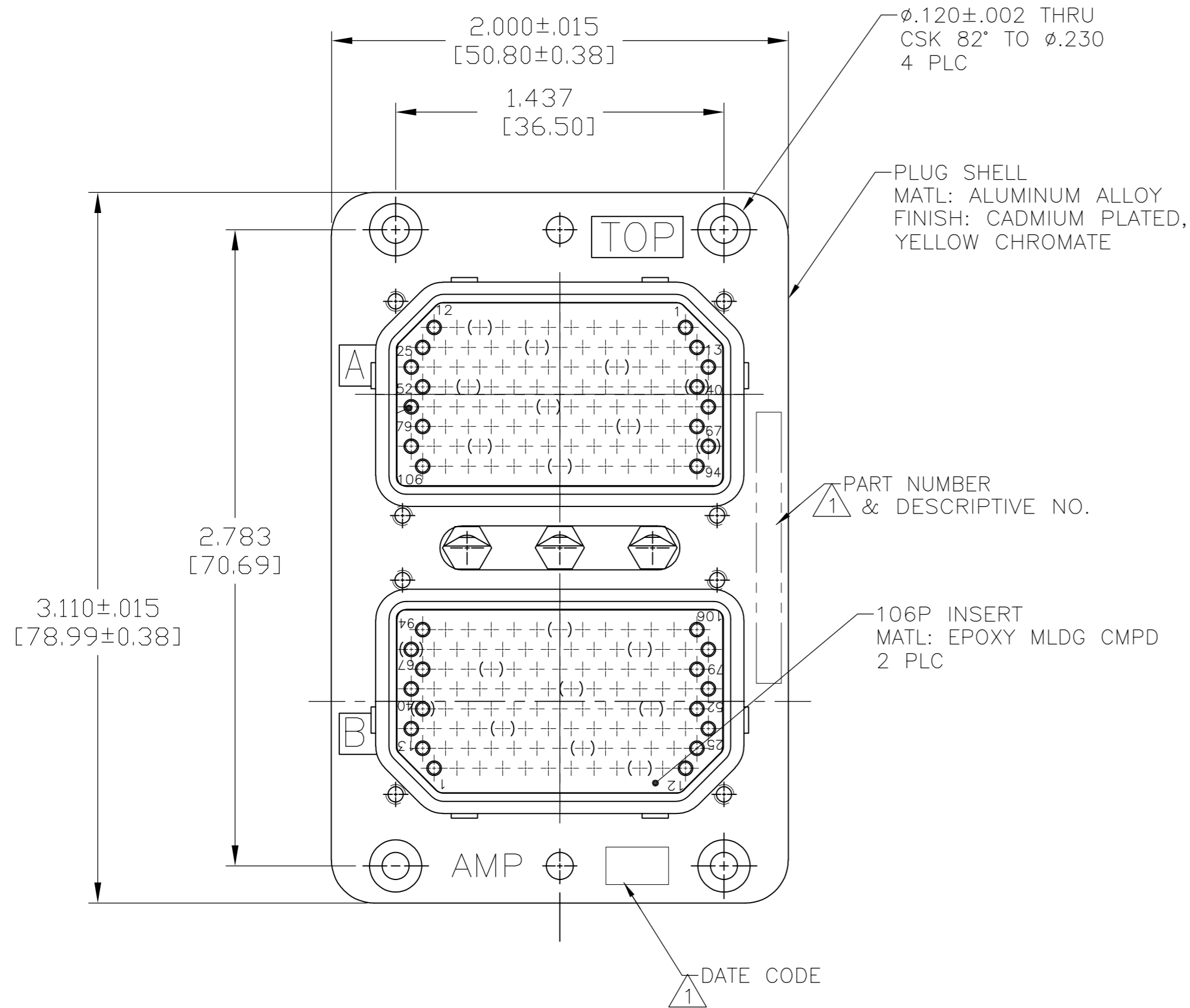


THIS DRAWING IS UNPUBLISHED. RELEASED FOR PUBLICATION  
 © COPYRIGHT BY TYCO ELECTRONICS CORPORATION. ALL INTERNATIONAL RIGHTS RESERVED.

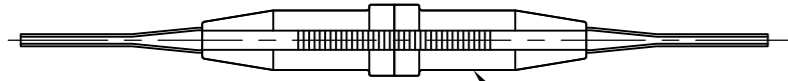
LOC		DIST		REVISIONS			
P	LTR	DESCRIPTION	DATE	DWN	APVD		
-	-	A	RELEASED	4-9-10	CT	DE	

1 TE PART NO., DESCRIPTIVE NO. AND DATE CODE MARKED IN AREA SHOWN.

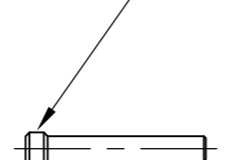
2 CONTACTS, FILLER PLUGS & INS/EXT TOOL ARE PACKAGED IN A SEPARATE CONTAINER AND SHIPPED WITH CONNECTOR.



2 SIZE 22 PIN CONTACT (QTY=219)  
 MATL: LEADED COPPER PER ASTM-B-152  
 FINISH: GOLD PLATED PER MIL-G-45204  
 OVER NICKEL PER QQ-N-290



2 SIZE 22 FILLER PLUG (QTY=32)



2 SIZE 22 INSERTION/EXTRACTION TOOL  
 QTY = 1



THIS DRAWING IS A CONTROLLED DOCUMENT.		DWN C.C.THOMAS 4-9-10	Tyco Electronics Corporation Harrisburg, PA 17105-3608	
DIMENSIONS: INCHES [mm]		CHK D.EABY 4-9-10	NAME PLUG ASSY,ARINC 404,MME2P106P106P-00 (204)	
TOLERANCES UNLESS OTHERWISE SPECIFIED:		APVD D.EABY 4-9-10	SIZE A2 CAGE CODE 00779 C=1996731	
0 PLC ± -		PRODUCT SPEC -	DRAWING NO -	
1 PLC ± -		APPLICATION SPEC -	RESTRICTED TO -	
2 PLC ± -		WEIGHT -	SCALE 2:1 SHEET 1 of 1 REV A	
3 PLC ± .005 [0.13]		CUSTOMER DRAWING		
4 PLC ± -				
ANGLES ± -				
FINISH -				

"01"	1996731-1
KEYING POSITION	PART NUMBER

单击下面可查看定价，库存，交付和生命周期等信息

[>>TE Connectivity\(泰科\)](#)