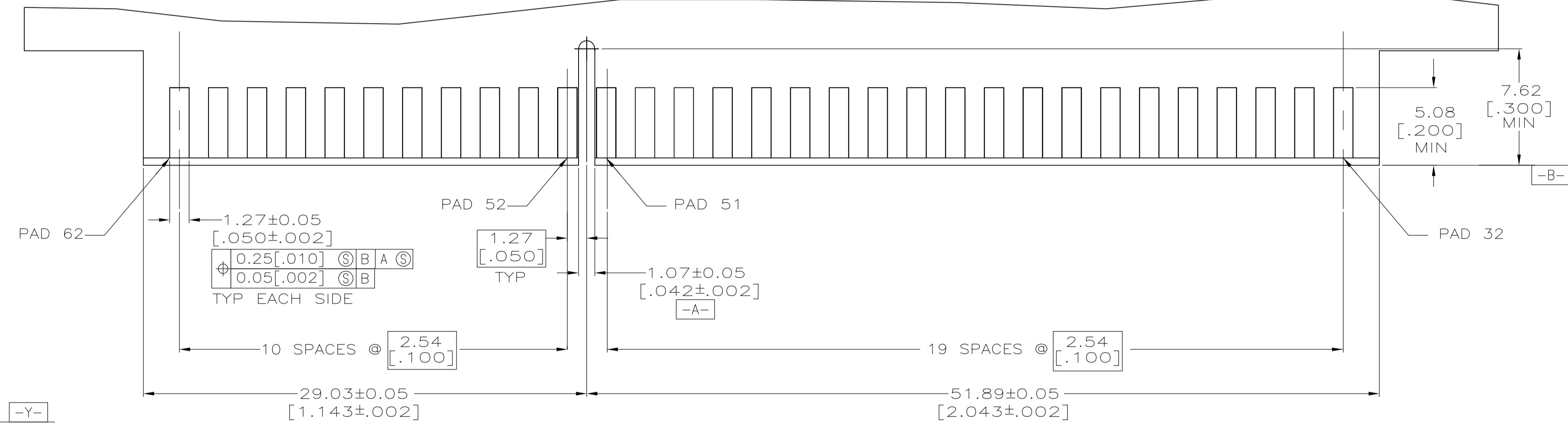
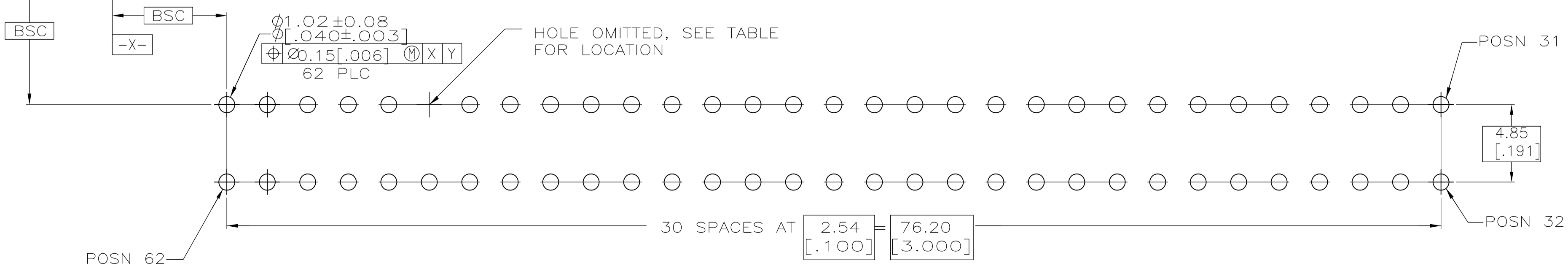


- △ HOUSING: GLASS FILLED POLYESTER; COLOR: BLACK.
- △ CONTACT: PHOSPHOR BRONZE.
- △ NICKEL PLATE: 0.00127 [.000050] MIN - ALL OVER.
- △ MATTE TIN PLATE: 0.00254 [.000100] MIN - SOLDER POSTS.
- △ GOLD PLATE: 0.00076 [.000030] MIN - CONTACT AREA.
- △ NICKEL PLATE PER MIL-G-45204. GOLD PLATE PER QQ-N-290.
- △ TE PART NUMBER, DATE CODE AND CSA LOGO MAY BE MARKED IN APPROXIMATE AREA SHOWN, EITHER SIDE.



RECOMMENDED MATING BOARD EDGE CONFIGURATION



RECOMMENDED PC BOARD HOLE LAYOUT

10,11,12,14,16,18,20,22,23,24,26,28,30,33,35,37,39,40,41,43,45,47,49,51,52,53	11,12	2,3,29,31,32,34,60,61	6364999-2
6	11,12	2,3,29,30,33,34,60,61	6364999-1
OMITTED PIN	KEY LOCATION	RETENTION LOCATION	PART NUMBER

THIS DRAWING IS A CONTROLLED DOCUMENT.

DIMENSIONS: mm	TOLERANCES UNLESS OTHERWISE SPECIFIED:	0 PLC ± -	1 PLC ± ±	2 PLC ± ± 0.13[.005]	3 PLC ± ±	4 PLC ± ±	ANGLES ± ±
MATERIAL	FINISH	FRANTUM	FRANTUM	FRANTUM	FRANTUM	FRANTUM	FRANTUM
Tyco Electronics Corporation		Tyco Electronics Corporation		Tyco Electronics Corporation		Tyco Electronics Corporation	
Harrisburg, Pa 17105-3608		Harrisburg, Pa 17105-3608		Harrisburg, Pa 17105-3608		Harrisburg, Pa 17105-3608	
PRODUCT SPEC 108-9039		APPLICATION SPEC 114-13018		SIZE A1		CAGE CODE 00779	
DRAWING NO 6364999		SCALE 5:1		SHEET 1 OF 1		REV B2	

单击下面可查看定价，库存，交付和生命周期等信息

[>>TE Connectivity\(泰科\)](#)