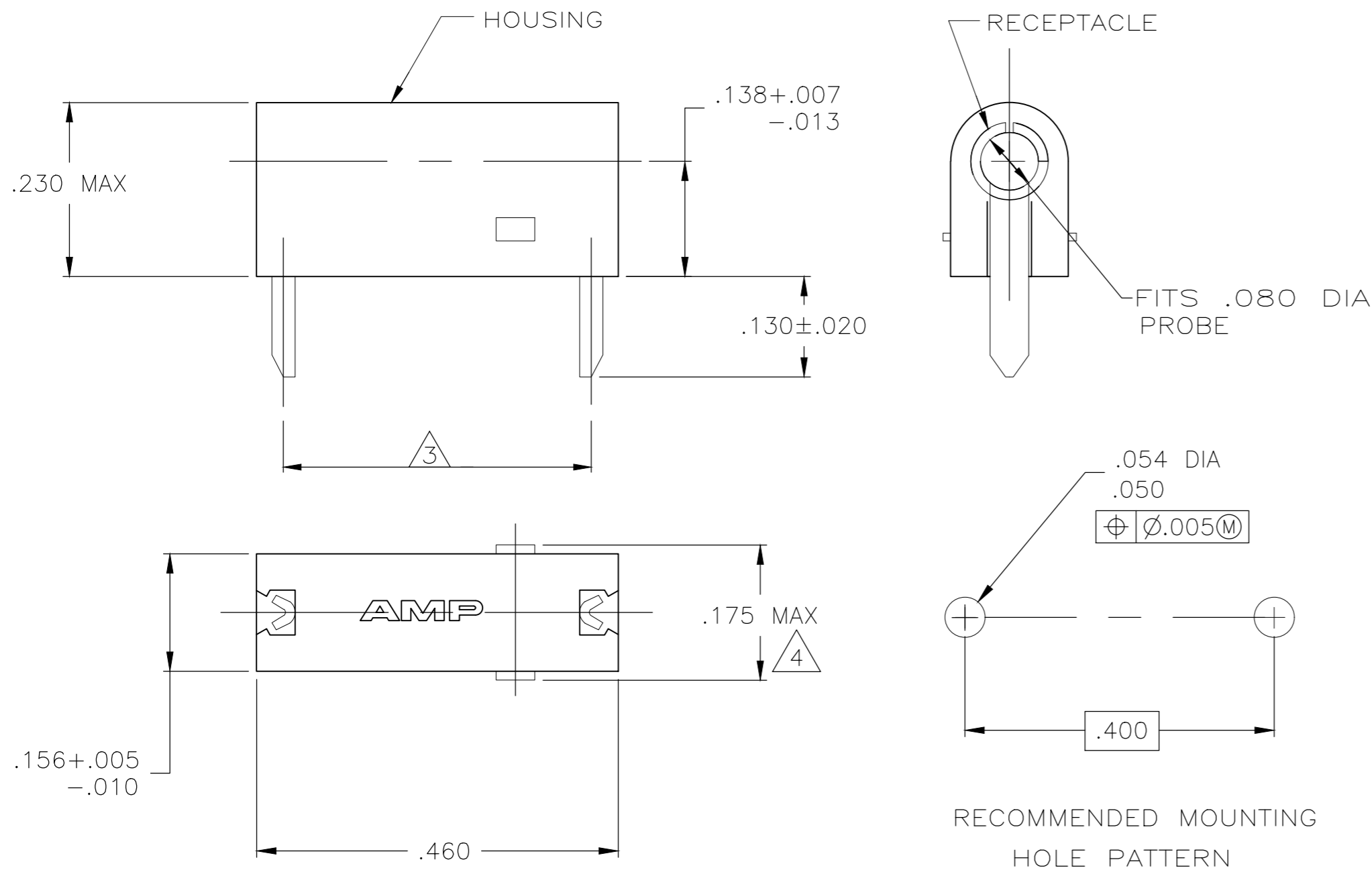


LOC	DIST	REVISIONS					
		P	LTR	DESCRIPTION	DATE	DWN	APVD
AF	50	AB1		REVISED PER ECO-11-004820	11MAR11	RK	HMR
		AB2		REVISED PER ECR-14-016482	04NOV14	L.P	T.D
		AB3		REVISED PER ECR-18-001453	1APR2020	MK	EW



- 1 OPERATION TEMPERATURE IS 105° C MAX.
- 2 RETENTION FORCE - 16 OUNCES MIN INITIALLY.
6 OUNCES MIN AFTER 500 CYCLES.
- 3 REFER TO MOUNTING HOLE PATTERN.
- 4 .175 MAX TO BE MEASURED ACROSS THE CUT-OFF TABS.

OBSOLETE	NYLON 6/6; WHITE	BRASS - GOLD	3-582118-9
OBSOLETE	NYLON 6/6; GRAY	BRASS - GOLD	3-582118-8
OBSOLETE	NYLON 6/6; VIOLET	BRASS - GOLD	3-582118-7
OBSOLETE	NYLON 6/6; BLUE	BRASS - GOLD	3-582118-6
OBSOLETE	NYLON 6/6; GREEN	BRASS - GOLD	3-582118-5
OBSOLETE	NYLON 6/6; YELLOW	BRASS - GOLD	3-582118-4
OBSOLETE	NYLON 6/6; ORANGE	BRASS - GOLD	3-582118-3
OBSOLETE	NYLON 6/6; RED	BRASS - GOLD	3-582118-2
OBSOLETE	NYLON 6/6; BROWN	BRASS - GOLD	3-582118-1
OBSOLETE	NYLON 6/6; BLACK	BRASS - GOLD	3-582118-0
OBSOLETE	NYLON 6/6; WHITE	BRASS - SILVER	2-582118-9
OBSOLETE	NYLON 6/6; GRAY	BRASS - SILVER	2-582118-8
OBSOLETE	NYLON 6/6; VIOLET	BRASS - SILVER	2-582118-7
OBSOLETE	NYLON 6/6; BLUE	BRASS - SILVER	2-582118-6
OBSOLETE	NYLON 6/6; GREEN	BRASS - SILVER	2-582118-5
OBSOLETE	NYLON 6/6; YELLOW	BRASS - SILVER	2-582118-4
OBSOLETE	NYLON 6/6; ORANGE	BRASS - SILVER	2-582118-3
OBSOLETE	NYLON 6/6; RED	BRASS - SILVER	2-582118-2
OBSOLETE	NYLON 6/6; BROWN	BRASS - SILVER	2-582118-1
OBSOLETE	NYLON 6/6; BLACK	BRASS - SILVER	2-582118-0
OBSOLETE	NYLON 6/6; WHITE	BRASS - TIN	1-582118-9
OBSOLETE	NYLON 6/6; GRAY	BRASS - TIN	1-582118-8
OBSOLETE	NYLON 6/6; VIOLET	BRASS - TIN	1-582118-7
OBSOLETE	NYLON 6/6; BLUE	BRASS - TIN	1-582118-6
OBSOLETE	NYLON 6/6; GREEN	BRASS - TIN	1-582118-5
OBSOLETE	NYLON 6/6; YELLOW	BRASS - TIN	1-582118-4
OBSOLETE	NYLON 6/6; ORANGE	BRASS - TIN	1-582118-3
OBSOLETE	NYLON 6/6; RED	BRASS - TIN	1-582118-2
OBSOLETE	NYLON 6/6; BROWN	BRASS - TIN	1-582118-1
OBSOLETE	NYLON 6/6; BLACK	BRASS - TIN	1-582118-0

—	—	—	
—	—	—	
—	—	—	
NYLON 6/6; NATURAL	BRASS - GOLD	6-582118-9	
OBSOLETE	NYLON 6/6; NATURAL	BRASS - SILVER	5-582118-9
HOUSING - MATERIAL; COLOR	RECEPTACLE - MATERIAL; FINISH	PART NUMBER	

THIS DRAWING IS A CONTROLLED DOCUMENT.		DWN M.S. FEHER 13APR2004	
DIMENSIONS: mm		CHK E. HOWARD 13APR2004	
TOLERANCES UNLESS OTHERWISE SPECIFIED:		APVD E. HOWARD 13APR2004	
0 PLC ± - 1 PLC ± - 2 PLC ± .015 3 PLC ± - 4 PLC ± - ANGLES ± -		NAME ASSEMBLY, TEST PROBE	
MATERIAL SEE TABLE	FINISH SEE TABLE	WEIGHT -	RESTRICTED TO -
CUSTOMER DRAWING		SCALE 6:1	SHEET 1 of 1
		REV AB3	

单击下面可查看定价，库存，交付和生命周期等信息

[>>TE Connectivity\(泰科\)](#)