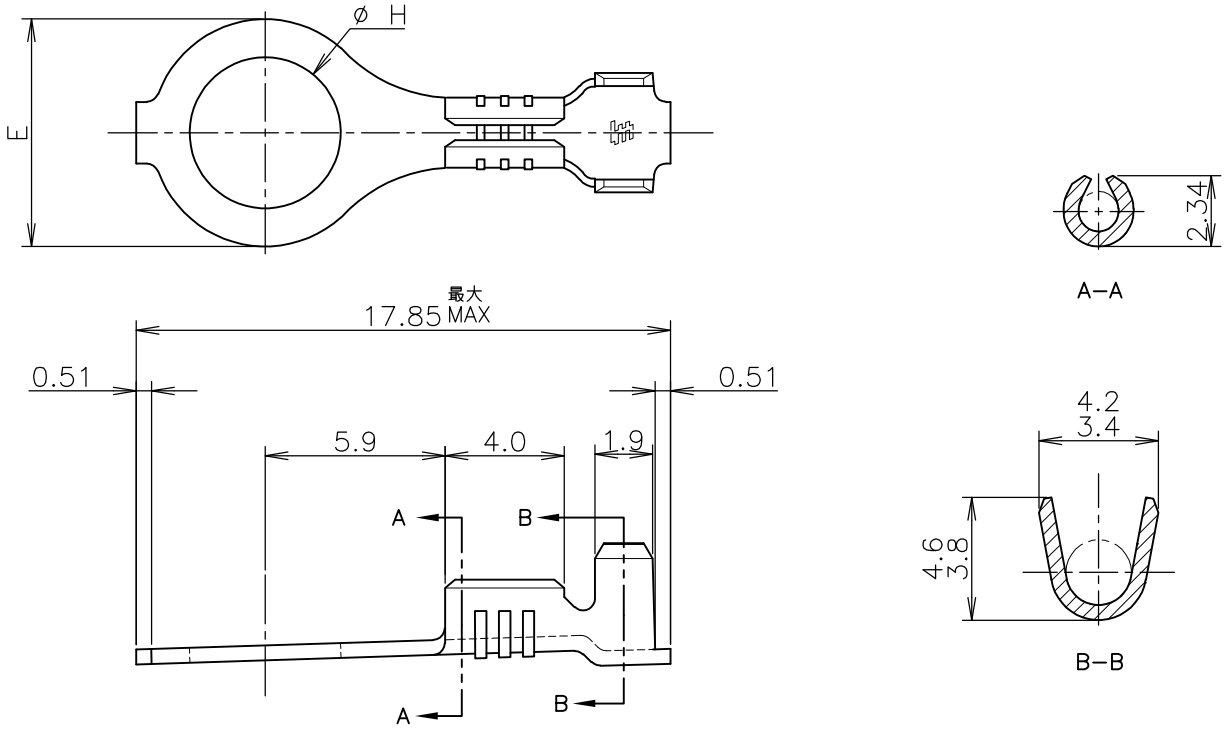


LOC J	DIST /	REVISIONS 変更			DATE	DWN	APVD
		P	LTR	DESCRIPTION			
			B	REDRAWN AND REVISED ECR-10-023816	26NOV2010	T.T	T.M

-2; AS SHOWN



RELEASED FOR PUBLICATION OCT , 1982.

ALL INTERNATIONAL RIGHTS RESERVED.

THIS DRAWING IS UNPUBLISHED.

© COPYRIGHT 1982 BY TYCO ELECTRONICS CORPORATION.

#8	4.34	6.5	1-170225-2	TIN PL 錫めっき	171627-2
STUD	H±0.08	E±0.17	STRIP NO. 連鎖状端子型番	FINISH 仕上	P/N ばら状端子型番
DIMENSIONS					

CLASS 分類	RING 丸型	TYPE 型式	WIRE RANGE 抱合電線断面積	AWG #22-#18 0.3~0.89 mm ²	INSULATION DIA 被覆外径	1.52~2.79 mmφ
-------------	------------	------------	-----------------------	-----------------------------------------	------------------------	---------------

DIMENSIONS: 単位: 耗 mm	DWN	T.TSUZAKI	25NOV2010	MATERIAL 材料	黄銅 BRASS 0.5t	FINISH 仕上	表参照 SEE TABLE
	CHK	T.MASUDA	26NOV2010	Tyco Electronics Corporation Kawasaki, Japan			
TOLERANCES UNLESS OTHERWISE SPECIFIED: 一般公差	APVD	T.MASUDA	26NOV2010				
0 PLC ±	PRODUCT SPEC 製品規格		SIZE		A4	CAGE CODE	00779
1 PLC ±	APPLICATION SPEC 取付適用規格		DRAWING NO 番号		C-171627		RESTRICTED TO
2 PLC ±			WEIGHT		CUSTOMER DRAWING		
3 PLC ± ±0.4			SCALE 尺度		4:1	SHEET	1 OF 1
4 PLC ±							REV
ANGLES ±1°							B

单击下面可查看定价，库存，交付和生命周期等信息

[>>TE Connectivity\(泰科\)](#)