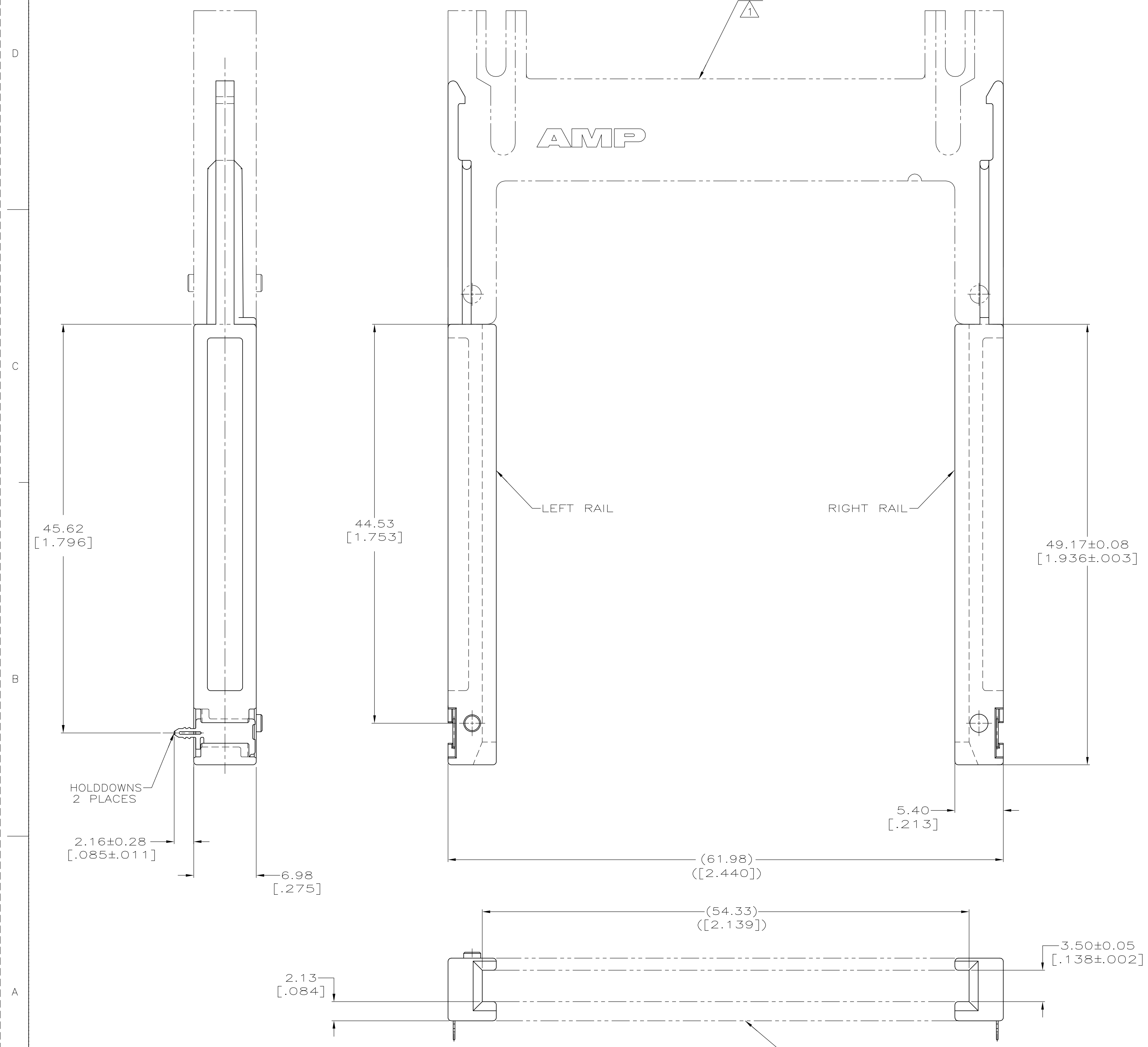
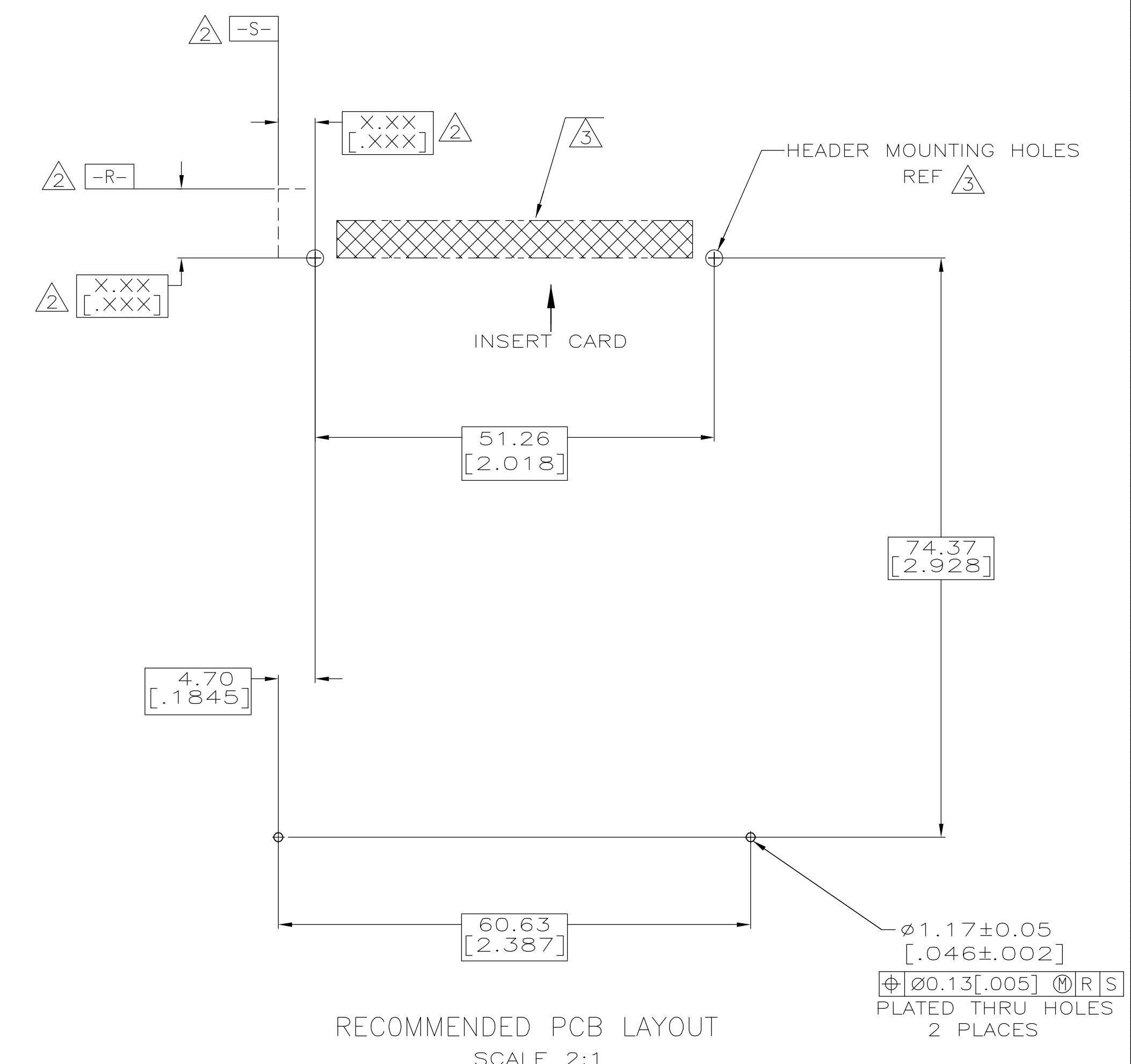


LOC		DIST		REVISIONS			
P	LR	DESCRIPTION	DATE	DWN	APVD		
0		REL PER EC 0513-0031-05	03-30-05	LV	JG		



- ① SMT OR THRU-HOLE HEADER ASSY NOT SUPPLIED AND MUST BE ORDERED SEPERATELY. CONTACT AMP INCORPORATED FOR HEADER PART NUMBER
- ② DATUMS AND BASIC DIMENSIONS ESTABLISHED BY CUSTOMER
- ③ FOR HEADER PC BOARD LAYOUT SEE APPROPRIATE HEADER ASSEMBLY
- ④ MATERIAL:
RAIL: LCP - COLOR: BLACK
HOLD DOWNS: PHOSPHOR BRONZE



RECOMMENDED PCB LAYOUT
SCALE 2:1

RIGHT GUIDE RAIL WITH HOLDDOWN	5535664-2
LEFT GUIDE RAIL WITH HOLDDOWN	5535664-1
DESCRIPTION	PART NO

THIS DRAWING IS A CONTROLLED DOCUMENT.		DWN L. VARELA - DOCKS 03-30-05	Tyco Electronics Corporation Harrisburg, PA 17105-3608	
DIMENSIONS: mm [INCHES]	TOLERANCES UNLESS OTHERWISE SPECIFIED:	CHK D.L. GORENC 03-30-05	NAME M. WALMSLEY	
0 PLC ± -	1 PLC ± -	APVD M. WALMSLEY 03-30-05	PRODUCT SPEC	
2 PLC ± 0.13 [0.05]	3 PLC ± -	APPLICATION SPEC		
4 PLC ± -	ANGLES ± -	SIZE CASE CODE DRAWING NO		
MATERIAL ④	FINISH HOLD DOWNS: TIN	WEIGHT 2.1 GRAMS	A1 00779	C=5535664
CUSTOMER DRAWING		SCALE 4:1	SHEET 1 OF 1	REV 0

**COPYRIGHT 2005
TYCO ELECTRONICS CORP
ALL RIGHTS RESERVED**

单击下面可查看定价，库存，交付和生命周期等信息

[>>TE Connectivity\(泰科\)](#)