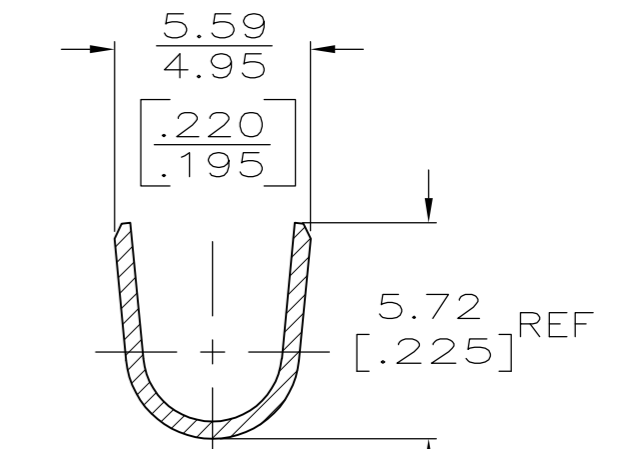
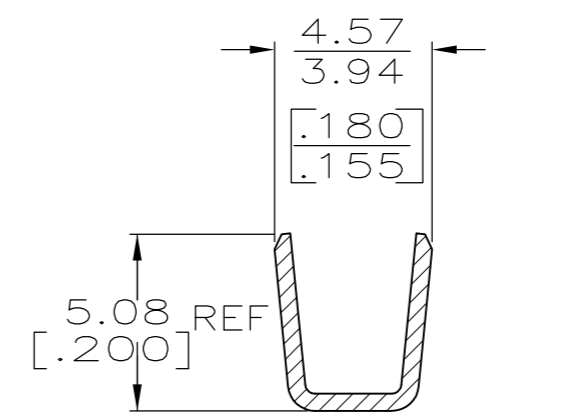
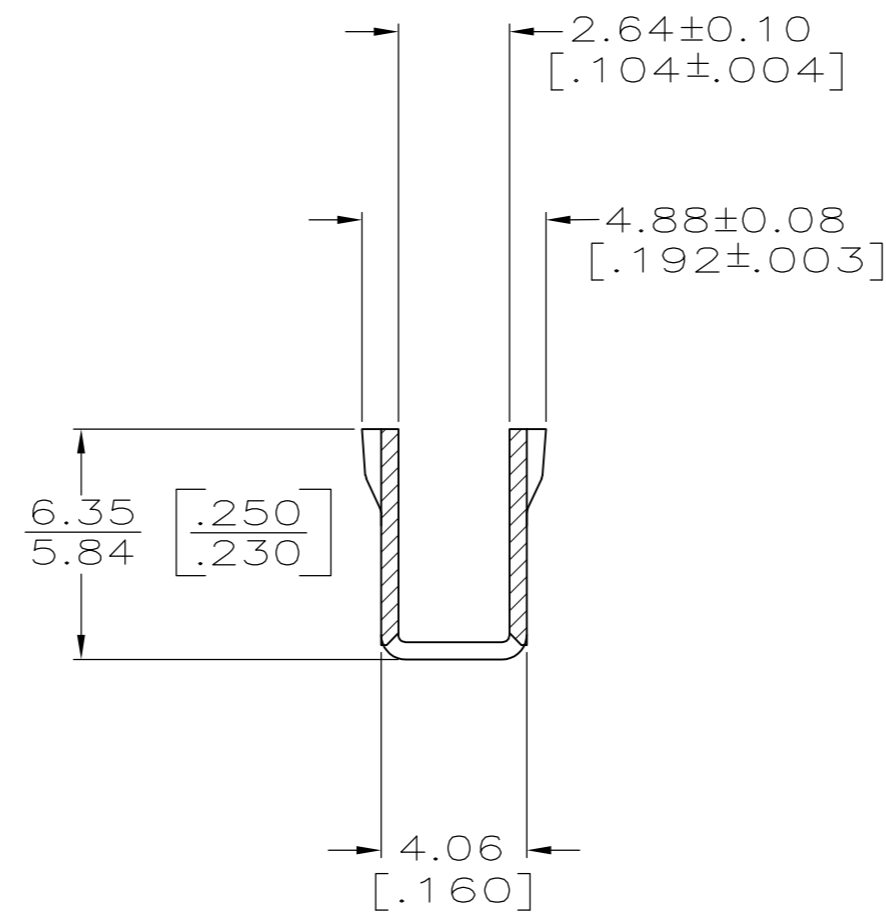
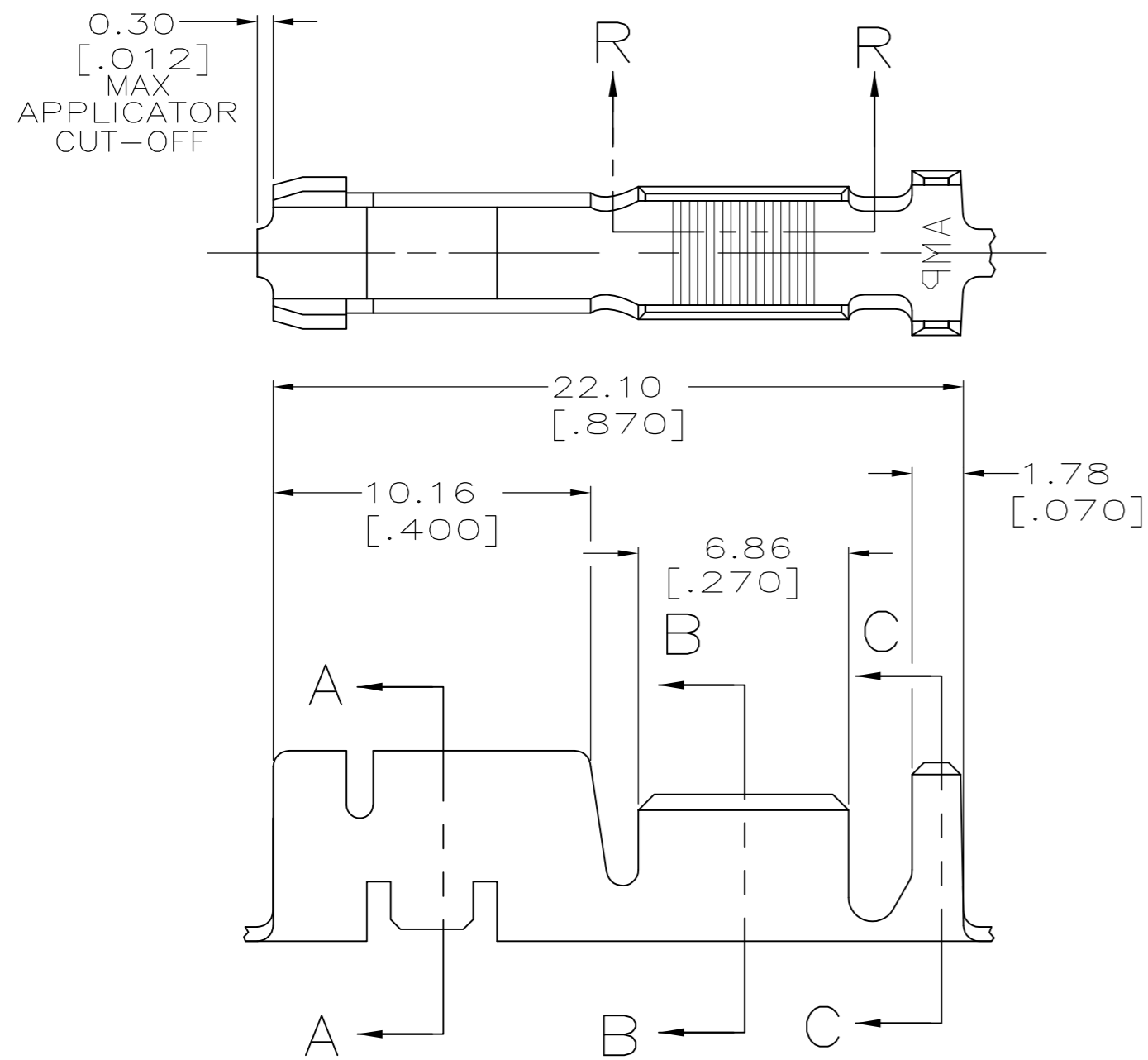


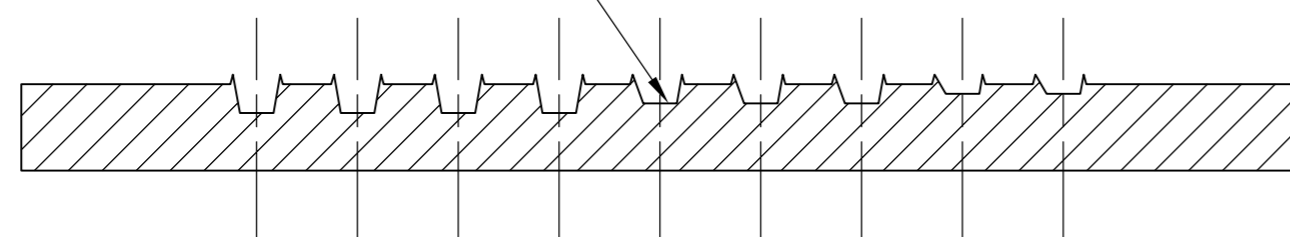
THIS DRAWING IS UNPUBLISHED. RELEASED FOR PUBLICATION
 © COPYRIGHT - By - ALL RIGHTS RESERVED.

LOC	DIST	REVISIONS			
P	LTR	DESCRIPTION	DATE	DWN	APVD
AF	52	N	REVISED PER ECR-14-006300	28AUG2014	MKD/RRP

- CONTINUOUS STRIP ON REELS WITH TERMINALS LOCATED ON 23.75 [.935] CENTERS.
- STANDARD RETENTION TYPE.



MAGNET WIRE INSULATION PIERCING SERRATIONS



2.29-4.32 DIA [.090-.170]	4000-8500 CMA	63455-1
INSULATION RANGE	WIRE RANGE	PART NUMBER

THIS DRAWING IS A CONTROLLED DOCUMENT.		DWN MS FEHER 11/12/87	 TE Connectivity RECEPTACLE, CLUSTER PIN, AMPLIVAR, 3.18 [.125] DIA			
DIMENSIONS: mm [INCHES]		CHK G YETTER 11/17/87				
TOLERANCES UNLESS OTHERWISE SPECIFIED:		APVD J SWARTZ 11/17/87				
0 PLC ± - 1 PLC ± - 2 PLC ± 0.25 [.010] 3 PLC ± - 4 PLC ± - ANGLES ± -		PRODUCT SPEC 108-2008 APPLICATION SPEC 114-2009				
MATERIAL H03 TIN-BRASS	FINISH POST TIN	WEIGHT -	SIZE A2	CAGE CODE 00779	DRAWING NO C=63455	RESTRICTED TO -
CUSTOMER DRAWING			SCALE 5:1	SHEET 1 OF 1	REV N	

单击下面可查看定价，库存，交付和生命周期等信息

[>>TE Connectivity\(泰科\)](#)