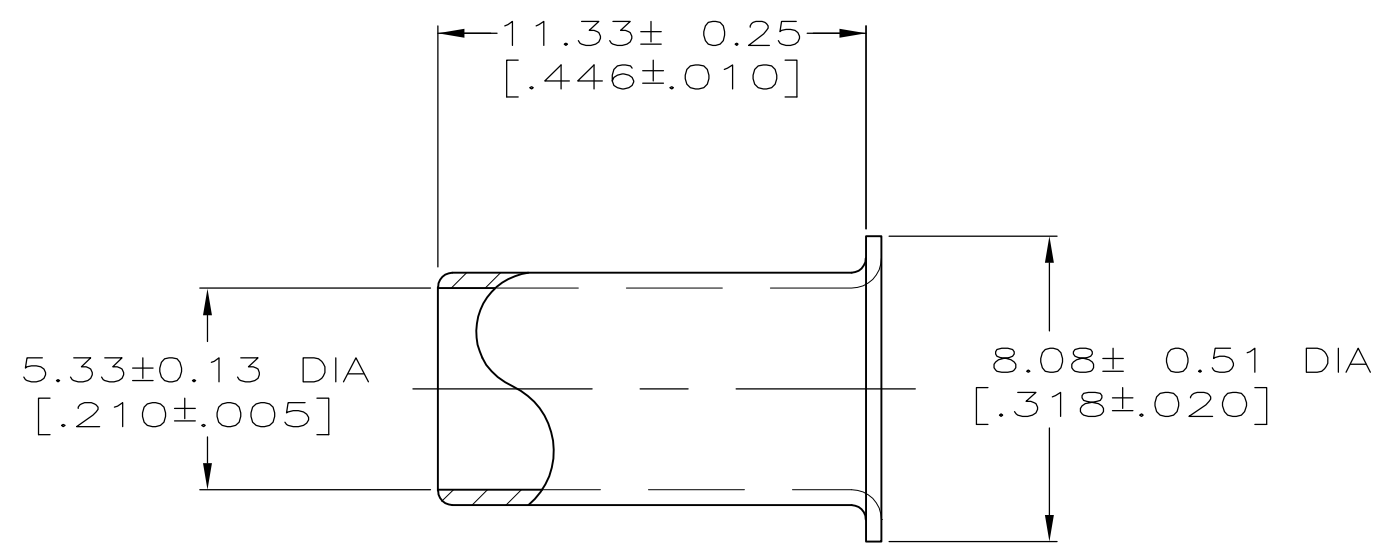
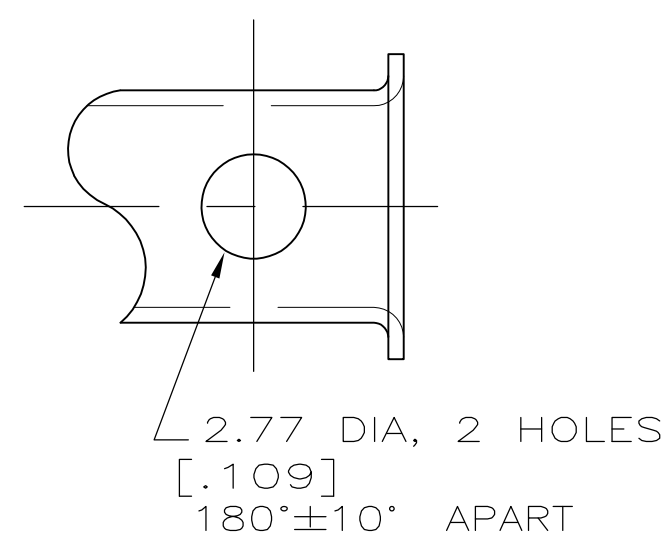


THIS DRAWING IS UNPUBLISHED. RELEASED FOR PUBLICATION  
 © COPYRIGHT BY TYCO ELECTRONICS CORPORATION. ALL INTERNATIONAL RIGHTS RESERVED.

| LOC | DIST | REVISIONS   |                           |         |        |
|-----|------|-------------|---------------------------|---------|--------|
| P   | LTR  | DESCRIPTION | DATE                      | DWN     | APVD   |
| AJ  | 16   | H           | REVISED PER ECO-10-008441 | 17JUN10 | HMR KW |



VIEW X



VIEW Y  
 SAME AS VIEW X EXCEPT

- ① COPPER ALLOY
- ② NICKEL PL PER QQ-N-290
- ③ TIN PL PER MIL-T-10727
- ④ BLACK CHROMATE PLATE OVER ZINC PLATE PER ASTM-B-633
- ⑤ BLACK NICKEL PLATE

| VIEW | FINISH | PART NUMBER |
|------|--------|-------------|
| X    | ④      | 226599-7    |
| X    | ⑤      | 226599-6    |
| Y    | ③      | 226599-4    |
| X    | ②      | 226599-2    |

|  |     |                             |   |       |              |                 |          |       |     |       |     |        |     |                   |            |                    |                        |                    |
|--|-----|-----------------------------|---|-------|--------------|-----------------|----------|-------|-----|-------|-----|--------|-----|-------------------|------------|--------------------|------------------------|--------------------|
| THIS DRAWING IS A CONTROLLED DOCUMENT.   |     | DWN<br>J. MOLL<br>21NOV90   | Tyco Electronics Corporation<br>Harrisburg, PA 17105-3608 |       |              |                 |          |       |     |       |     |        |     |                   |            |                    |                        |                    |
| DIMENSIONS:<br>mm [INCHES]   |     | CHK<br>M. SNEED<br>21NOV90  |   |       |              |                 |          |       |     |       |     |        |     |                   |            |                    |                        |                    |
| TOLERANCES UNLESS OTHERWISE SPECIFIED:   |     | APVD<br>R. HENRY<br>21NOV90 | NAME<br>FERRULE,<br>MINIATURE UHF                         |       |              |                 |          |       |     |       |     |        |     |                   |            |                    |                        |                    |
| <table border="0"> <tr><td>0 PLC</td><td>± -</td></tr> <tr><td>1 PLC</td><td>± -</td></tr> <tr><td>2 PLC</td><td>± -</td></tr> <tr><td>3 PLC</td><td>± -</td></tr> <tr><td>4 PLC</td><td>± -</td></tr> <tr><td>ANGLES</td><td>± -</td></tr> </table> |     | 0 PLC                       | ± -   | 1 PLC | ± -          | 2 PLC           | ± -      | 3 PLC | ± - | 4 PLC | ± - | ANGLES | ± - | PRODUCT SPEC<br>- | SIZE<br>A3 | CAGE CODE<br>00779 | DRAWING NO<br>C-226599 | RESTRICTED TO<br>- |
| 0 PLC  | ± - |                             |   |       |              |                 |          |       |     |       |     |        |     |                   |            |                    |                        |                    |
| 1 PLC  | ± - |                             |   |       |              |                 |          |       |     |       |     |        |     |                   |            |                    |                        |                    |
| 2 PLC  | ± - |                             |   |       |              |                 |          |       |     |       |     |        |     |                   |            |                    |                        |                    |
| 3 PLC  | ± - |                             |   |       |              |                 |          |       |     |       |     |        |     |                   |            |                    |                        |                    |
| 4 PLC  | ± - |                             |   |       |              |                 |          |       |     |       |     |        |     |                   |            |                    |                        |                    |
| ANGLES   | ± - |                             |   |       |              |                 |          |       |     |       |     |        |     |                   |            |                    |                        |                    |
| MATERIAL<br>①  |     | FINISH<br>SEE TABLE         | WEIGHT<br>-   |       | SCALE<br>5:1 | SHEET<br>1 OF 1 | REV<br>H |       |     |       |     |        |     |                   |            |                    |                        |                    |
| CUSTOMER DRAWING   |     |                             |   |       |              |                 |          |       |     |       |     |        |     |                   |            |                    |                        |                    |

单击下面可查看定价，库存，交付和生命周期等信息

[>>TE Connectivity\(泰科\)](#)