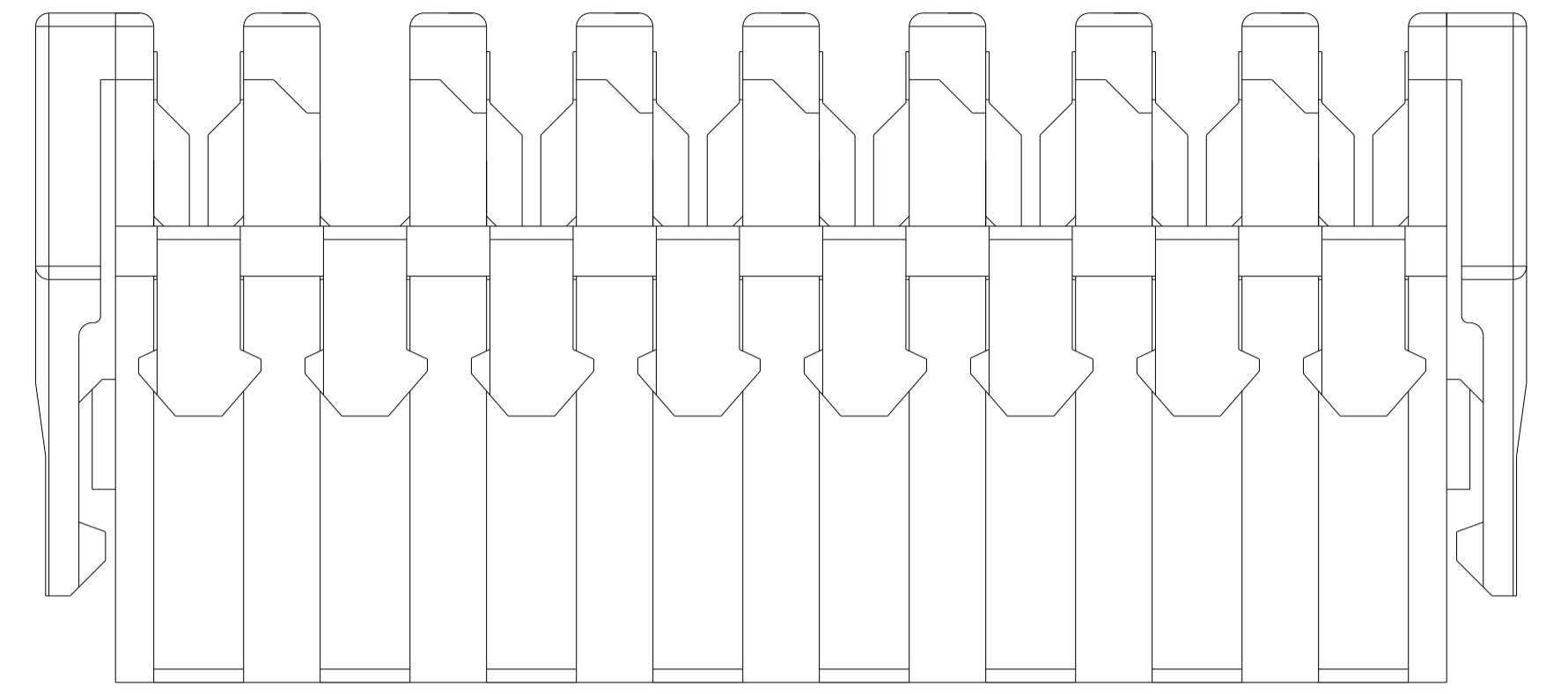
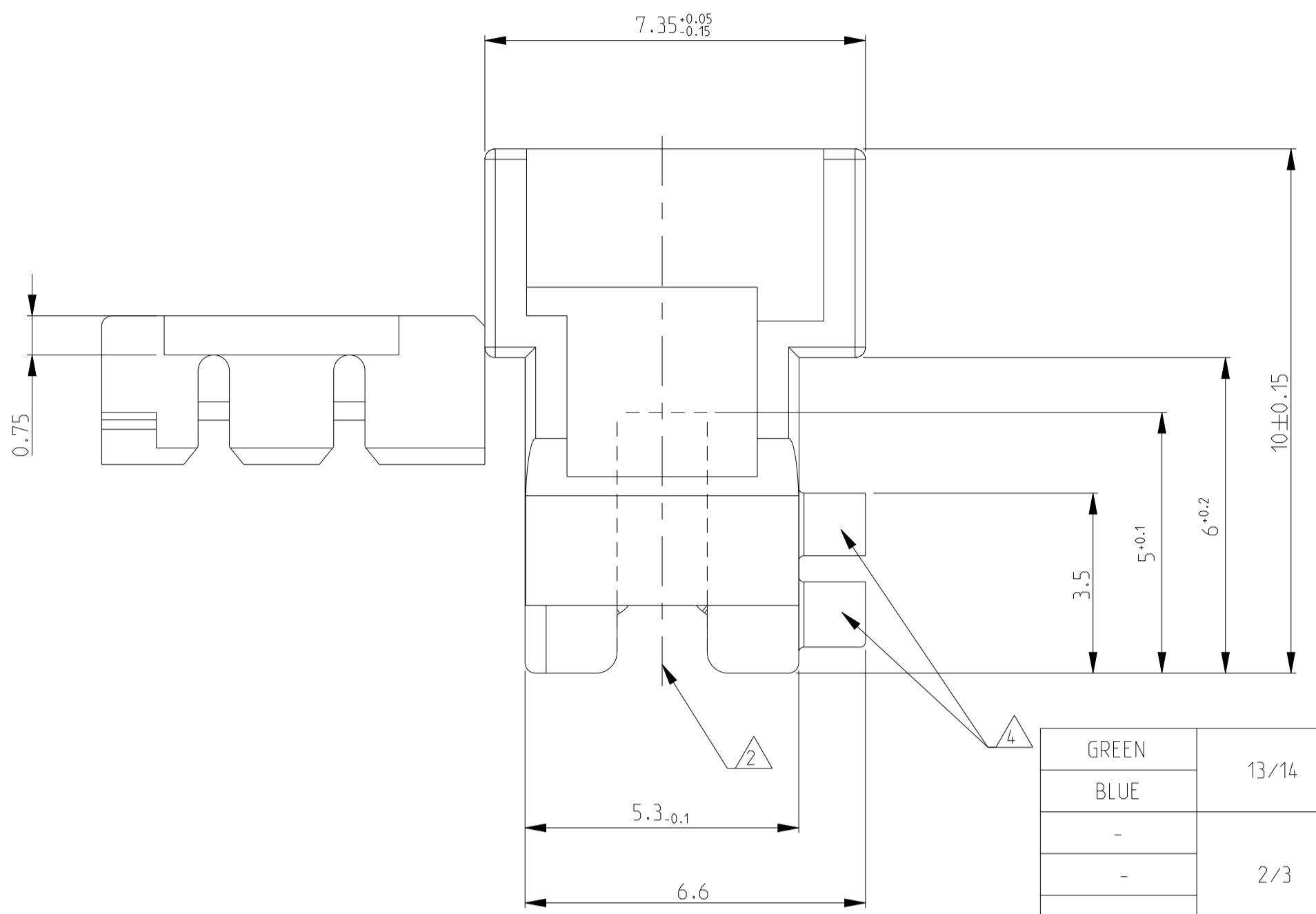
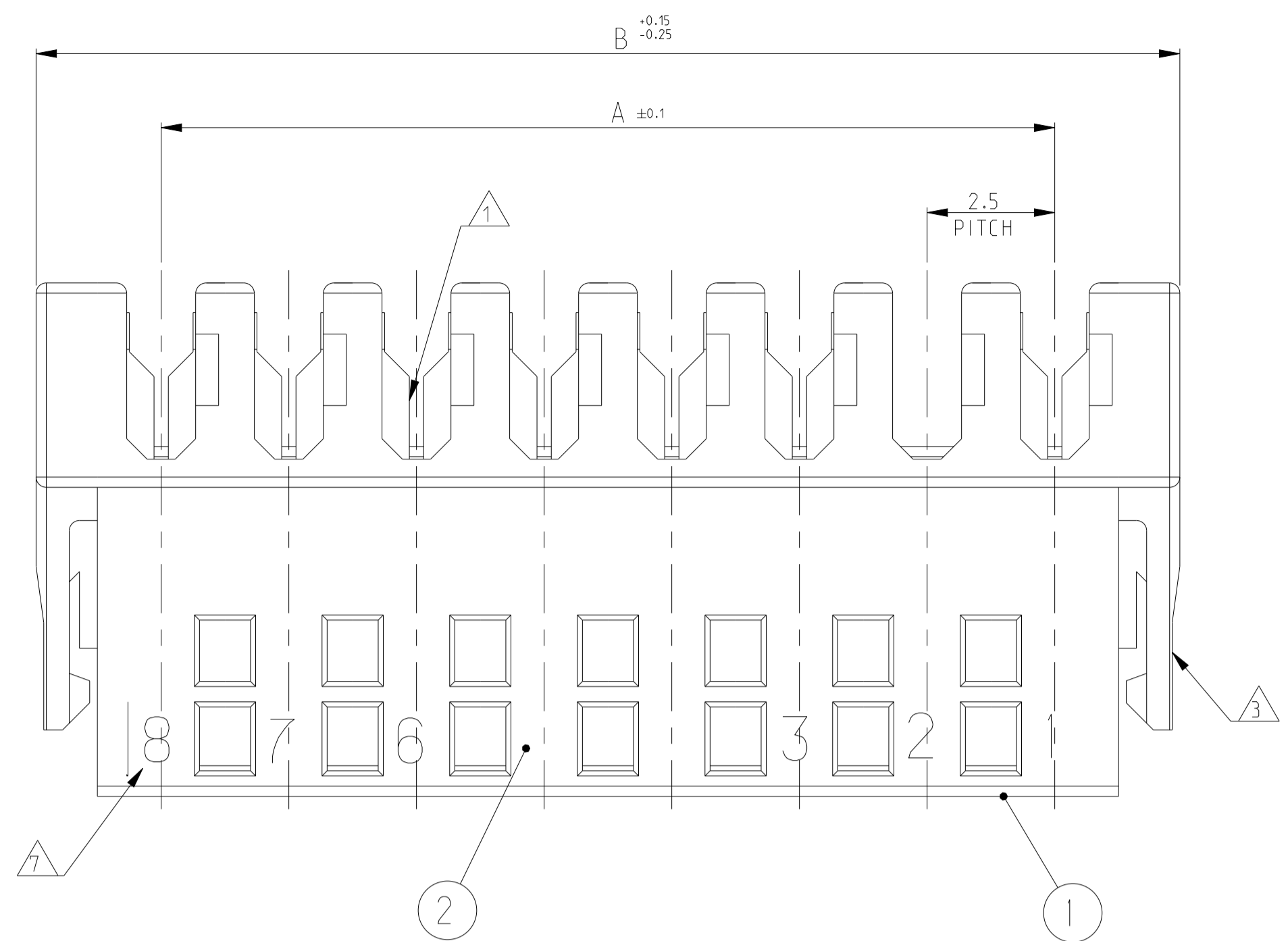


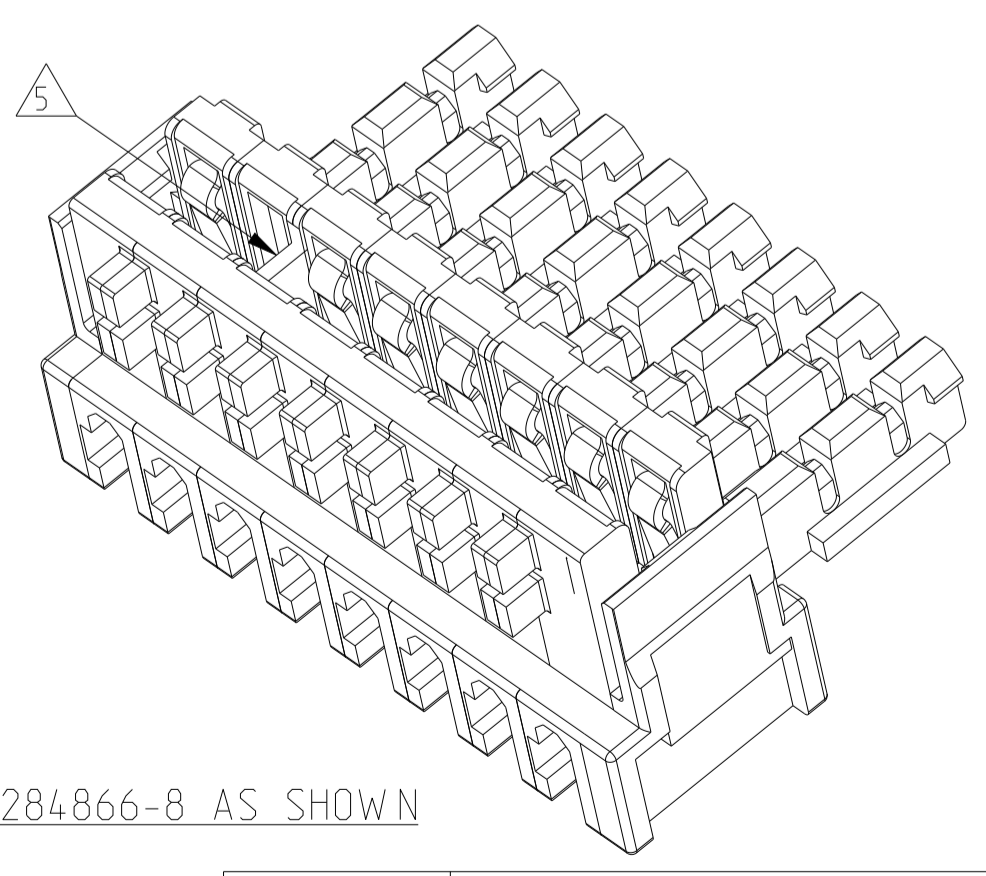
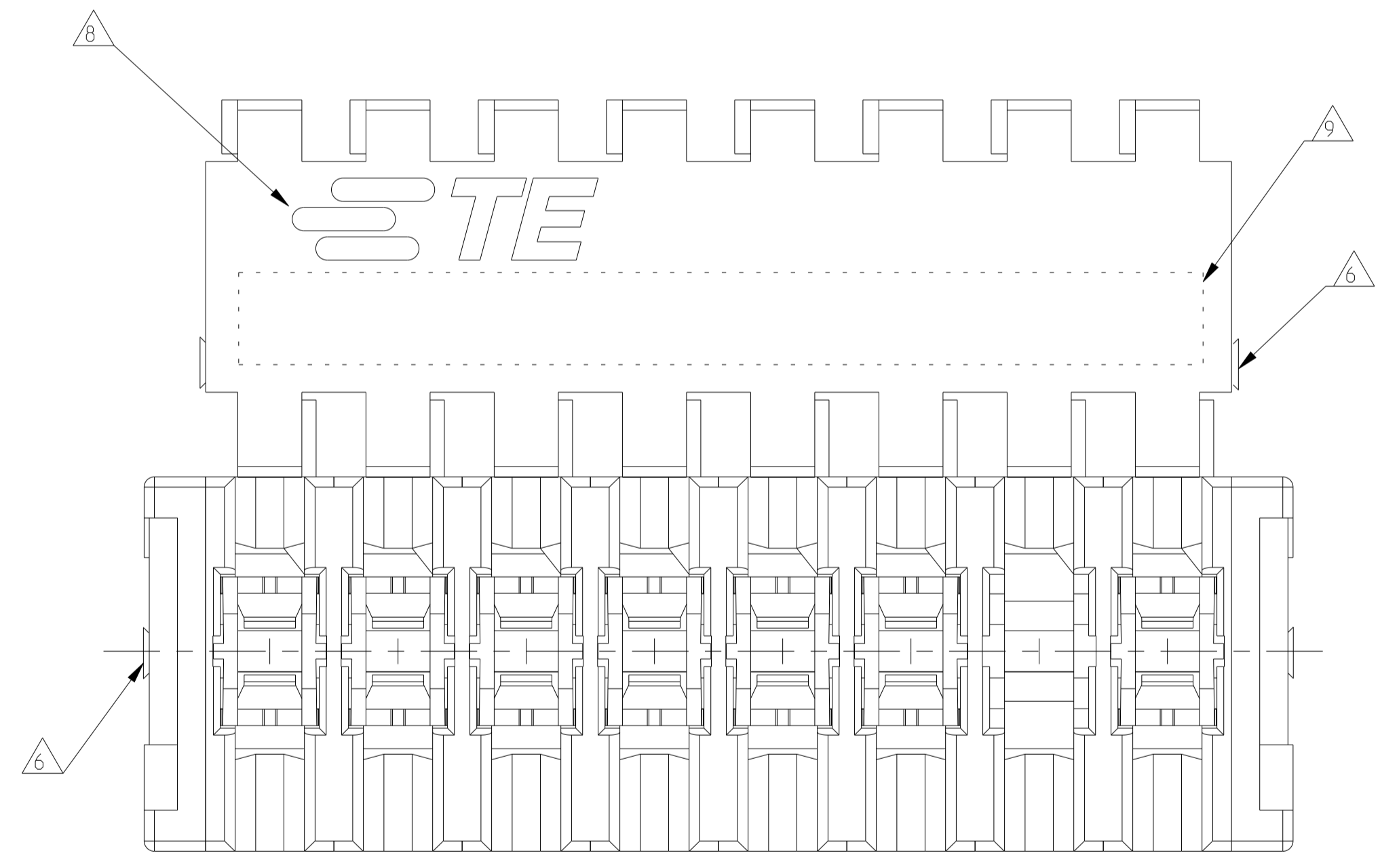
REVISIONS					
P	LTN	DESCRIPTION	DATE	OWN	APVD
C3	ECR-20-012981		23SEP2020	SM	FL
C4	ECR-21-100539		18FEB2021	SM	FL
C5	ECR-21-100786		02MAR2021	SM	FL
C6	ECR-21-121338		23NOV2021	DC	FL



- 1 WIRE RANGE : STRANDED 0.22-0.35 mm² (INS. DIA. 1.30±0.1)
- 2 MATING PART: P.C.B. EDGE, DOUBLE SIDE, THK 1.5 (COPPER CLADDING INCLUDED)
- 3 SIDE LOCKING DEVICE
- 4 KEYING RIBS TO BE REMOVED BY TERMINATION MACHINE
- 5 POLARIZATION RIBS BETWEEN CAVITIES
- 6 CUT OFF DIMENSION DUE TO PRODUCTION PROCESS
- 7 CIRCUIT No. IDENTIFICATION
- 8 TE TRADEMARK (OPTIONAL POSITION)
- 9 TAMPOGRAPHIC COLOUR CODE AREA (P/Ns IDENTIFICATION BEFORE (CRIMPING AREA))
- 10 FOR PCB LAYOUT, SEE SHEET 2
FOR CONNECTION VIEW LAYOUT, SEE SHEET 2
- 11 PRELIMINARY NOT YET RELEASED FOR PRODUCTION
- 12 PBT GF
- 13 PBT GF, UL94-V0 & GWEP7 750 NO-FLAME, NATURAL
- 14 ALTERNATIVE RESIN PBT GF

OBSOLETE

COLOUR CODE	POLARIZ. RIB POS.	CONTACT LOADING	HSG POS.	DIM.A	DIM.B	TE P/N	TE P/N	TE P/N
GREEN	13/14	SELECTIVELY 1,3,4,6,8,9,10,11,12,13,14	14	32.5	37.4	5-284866-4	1-2311508-4	5-2402732-4
BLUE		SELECTIVELY 1,3,4,6,11,12,13,14				1-284866-4	2311508-4	1-2402732-4
-		SELECTIVELY 1,2,5,6,8,10,11,13				4-284866-3	-	4-2402732-3
-	2/3	SELECTIVELY 3,4,5,6,8,10,11,13	13	30.0	34.9	3-284866-3	-	3-2402732-3
-		SELECTIVELY 1,2,3,4,5,6,8,10,11,13				5-284866-3	-	5-2402732-3
BLUE	2/3	SELECTIVELY 1,3,4,6,7,9,11,12	12	27.5	32.4	1-284866-2	2311508-2	1-2402732-2
BLACK	2/3	SELECTIVELY 1,3,5,6,7,8,9,10	10	22.5	27.4	2-284866-0	-	2-2402732-0
BLUE	2/3	SELECTIVELY 1,2,3,4,5,6,7,8,10				1-284866-0	-	-
-	2/3	SELECTIVELY 1,3,5,7,9				-	9-2311507-9	-
-	7/8	SELECTIVELY 1,2,4,6,8,9				2336596-9	-	-
GRAY	3/4	SELECTIVELY 1,3,4,6,8,9				7-284866-9	8-2311507-9	7-2402732-9
RED	4/5	SELECTIVELY 1,2,4,6,8,9				8-284866-9	7-2311507-9	8-2402732-9
-		SELECTIVELY 1,2,4,6,8,9				9-284866-9	/	9-2402732-9
GREEN		SELECTIVELY 1,2,4,6,7,9	9	20.0	24.9	1-284866-9	6-2311507-9	1-2402732-9
BLACK		SELECTIVELY 1,3,5,7,8,9				6-284866-9	5-2311507-9	6-2402732-9
ORANGE		SELECTIVELY 1,2,3,5,7,9				5-284866-9	4-2311507-9	5-2402732-9
ORANGE	2/3	SELECTIVELY 1,3,4,6,8,9				4-284866-9	3-2311507-9	4-2402732-9
RED		SELECTIVELY 1,3,5,6,7,9				3-284866-9	2-2311507-9	3-2402732-9
GREEN		SELECTIVELY 1,3,4,5,6,7,8,9				2-284866-9	1-2311507-9	2-2402732-9
BLUE		SELECTIVELY 1,3,4,6,7,9				0-284866-9	2311507-9	2402732-9
-		SELECTIVELY 1,3,5,6,8				6-284866-8	-	6-2402732-8
-		SELECTIVELY 5,6,7				5-284866-8	-	5-2402732-8
BROWN	2/3	SELECTIVELY 1,2,3,4,6,8	8	17.5	22.4	4-284866-8	3-2311507-8	4-2402732-8
RED		SELECTIVELY 1,3,5,6,7,8				3-284866-8	2-2311507-8	3-2402732-8
GREEN		SELECTIVELY 1,3,4,5,6,7,8				2-284866-8	1-2311507-8	2-2402732-8
BLUE		SELECTIVELY 1,3,4,6,7,8				0-284866-8	2311507-8	2402732-8
BLUE	2/3	SELECTIVELY 1,3,5,7	7	15.0	19.9	1-284866-7	1-2311507-7	1-2402732-7
BLUE		SELECTIVELY 1,3,5,6,7				0-284866-7	2311507-7	2402732-7
-	4/5	SELECTIVELY 1,3,4,6				5-284866-6	-	5-2402732-6
BLACK	2/3	SELECTIVELY 1,3,4,6	6	12.5	17.4	4-284866-6	2-2311507-6	4-2402732-6
GREEN	4/5	SELECTIVELY 1,2,4,6				2-284866-6	1-2311507-6	2-2402732-6
BLUE	2/3	SELECTIVELY 1,3,5,6				0-284866-6	2311507-6	2402732-6
-	2/3	SELECTIVELY 1,3,5				-	4-2311507-5	-
ORANGE	1/2	SELECTIVELY 3,4,5				4-284866-5	3-2311507-5	4-2402732-5
GREEN		SELECTIVELY 1,2,3,5	5	10.0	14.9	3-284866-5	2-2311507-5	3-2402732-5
BLUE	3/4	SELECTIVELY 1,3,4,5				2-284866-5	1-2311507-5	2-2402732-5
RED	2/3	SELECTIVELY 2,4				0-284866-5	2311507-5	2402732-5
GREEN	N/A	SELECTIVELY 1,2,4	4	7.5	12.4	2-284866-4	2311507-4	2-2402732-4
GREEN	1/2	SELECTIVELY 1,3				2-284866-3	1-2311507-3	2-2402732-3
BLUE	-	SELECTIVELY 1,3	3	5.0	9.9	1-284866-3	-	1-2402732-3
BLUE	2/3	SELECTIVELY 1,3				0-284866-3	2311507-3	2402732-3



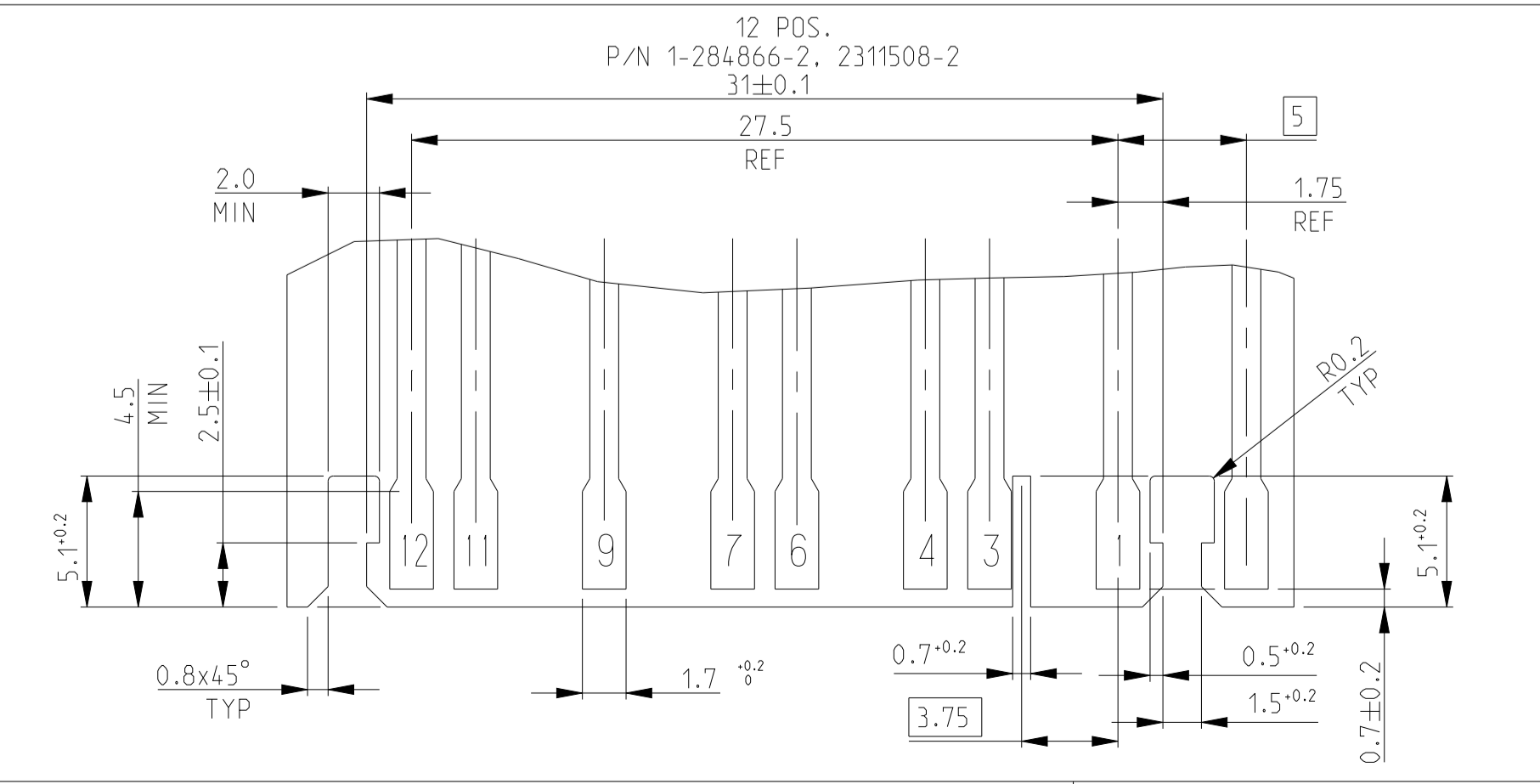
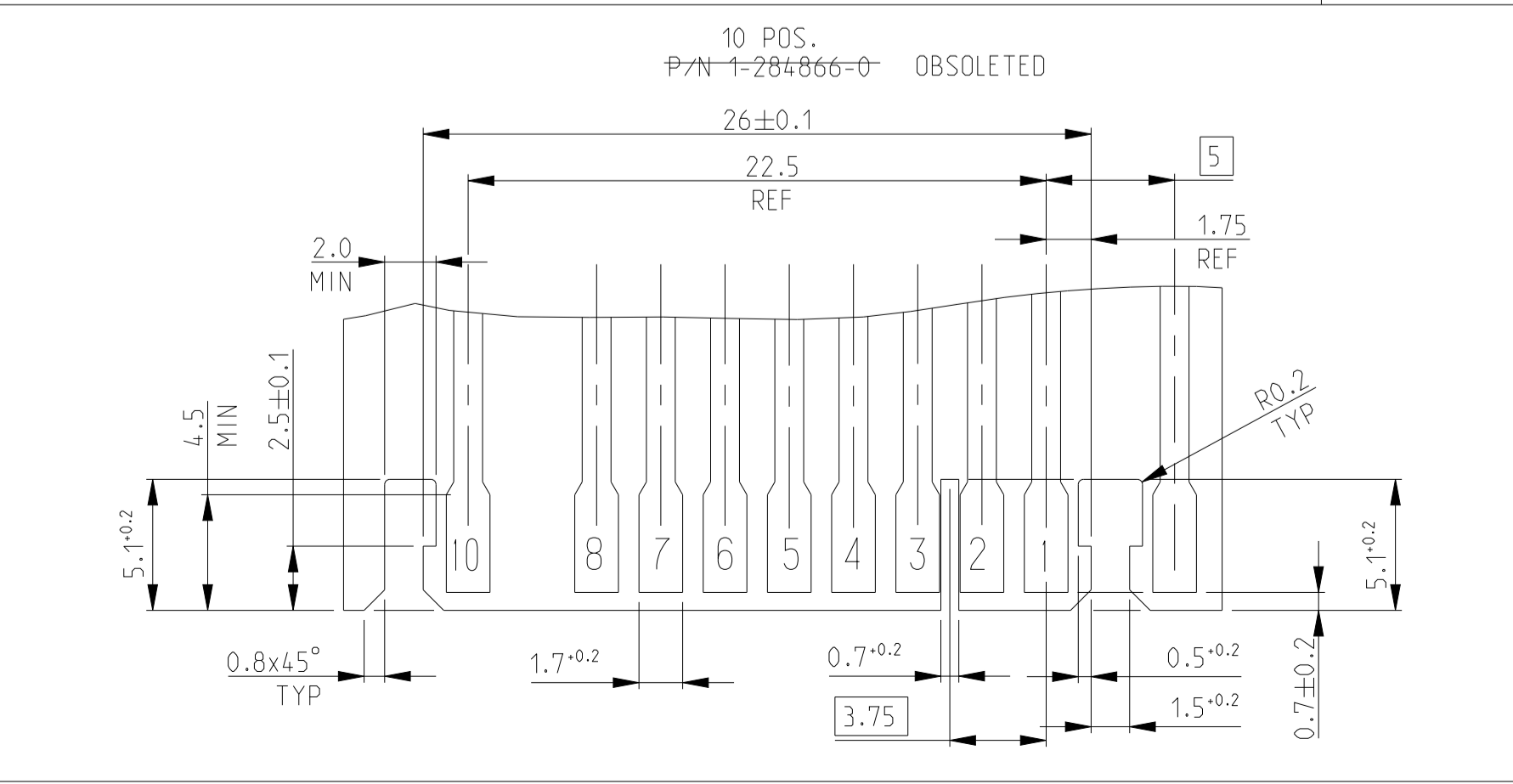
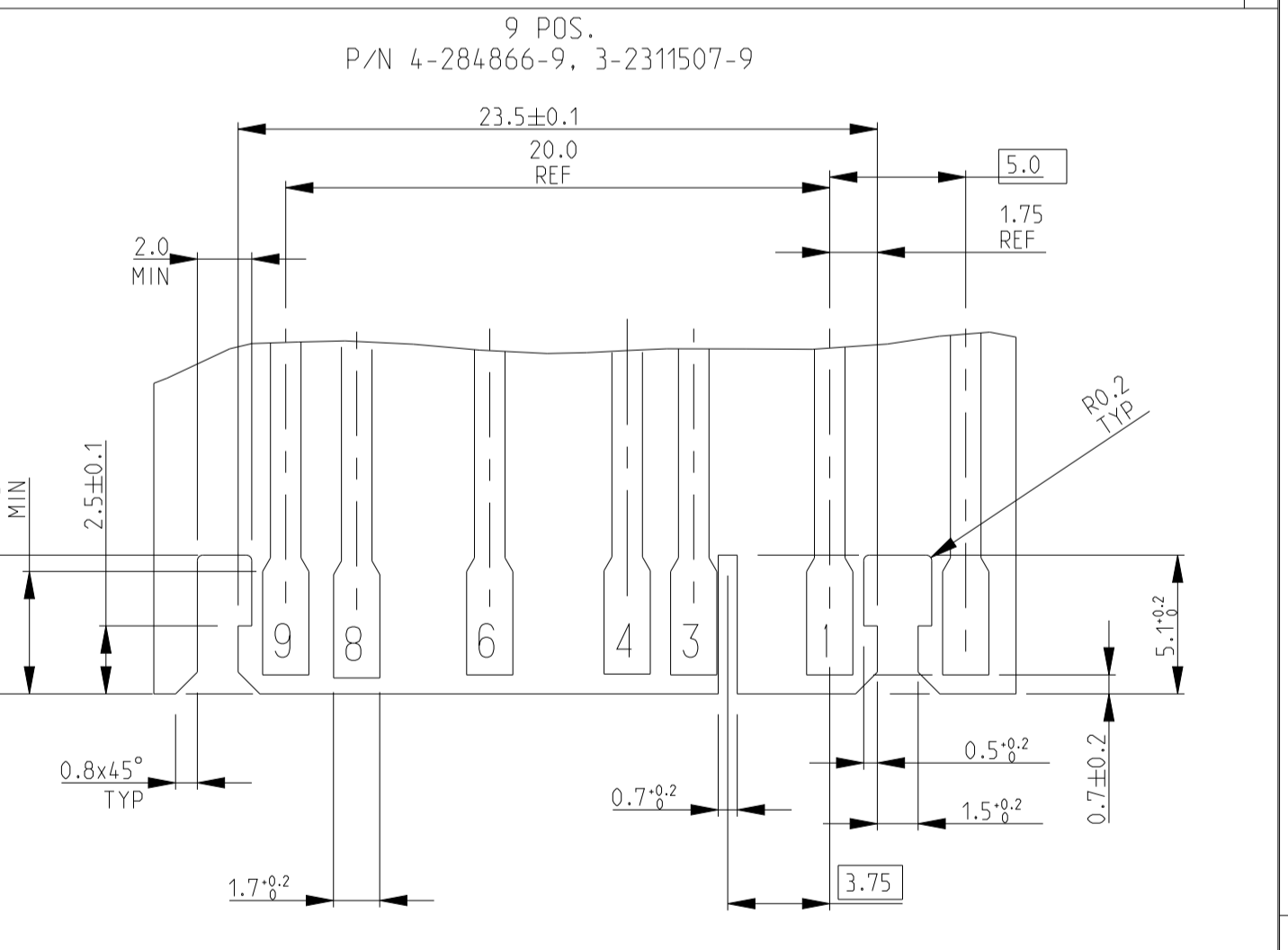
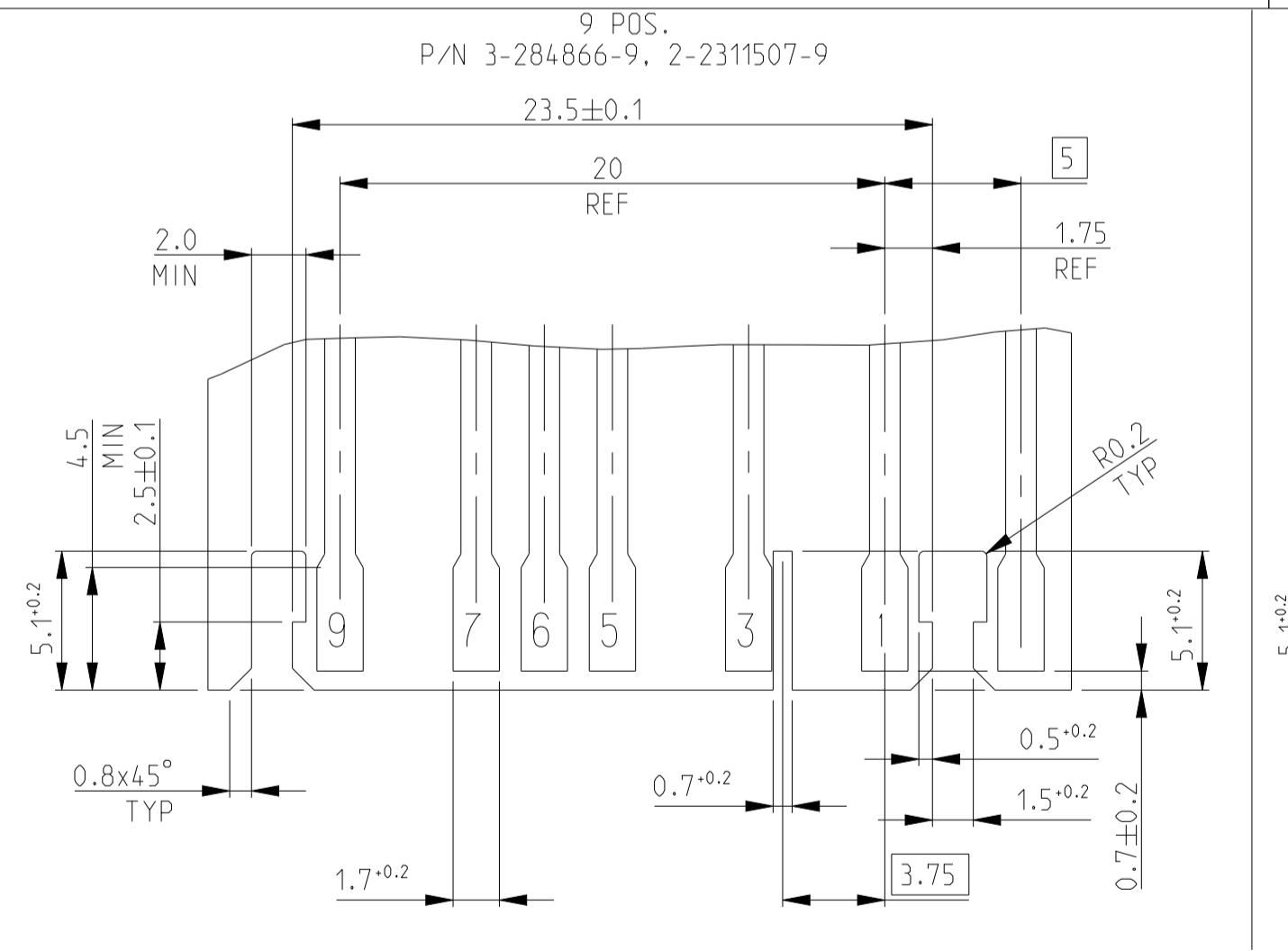
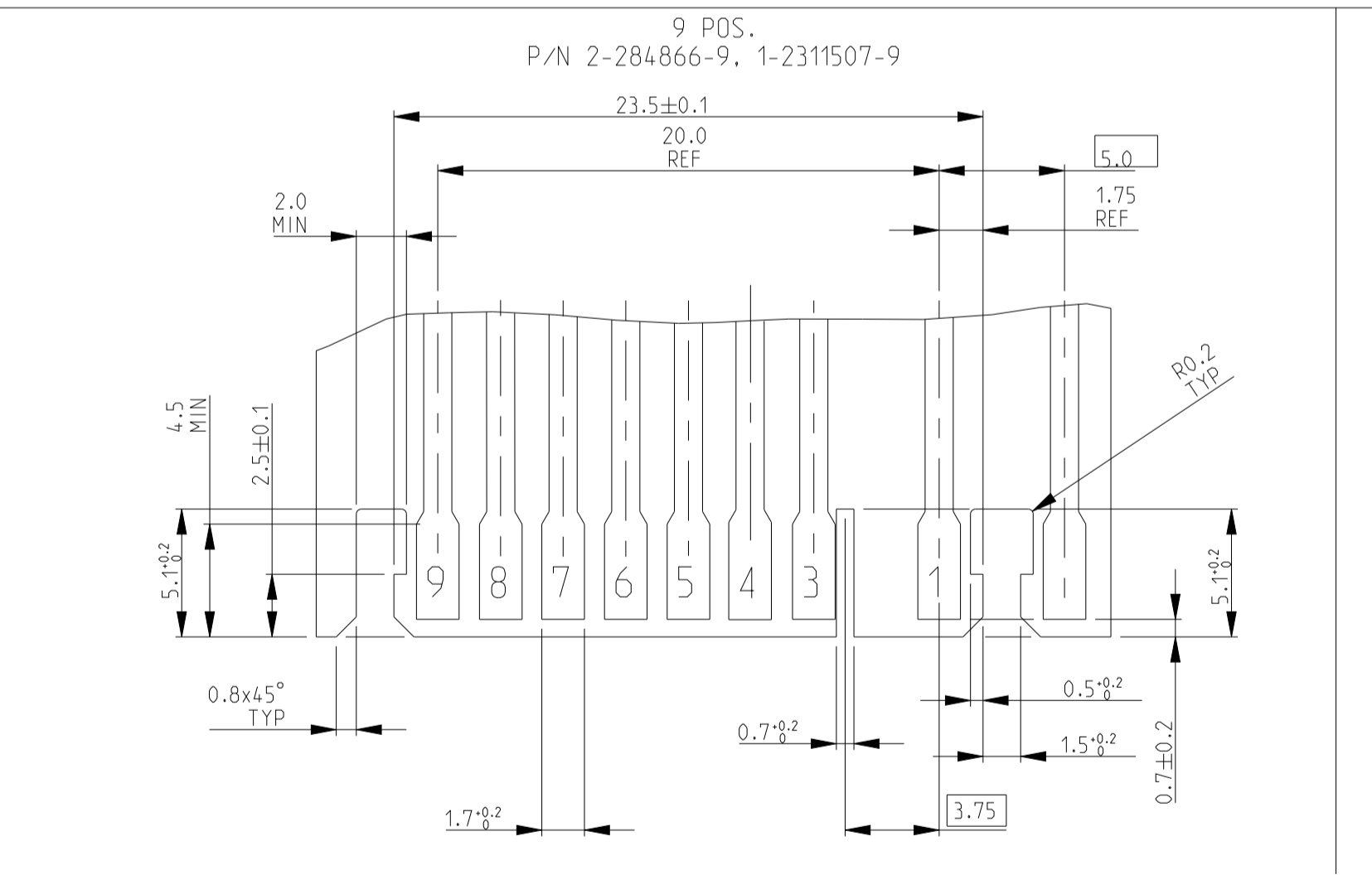
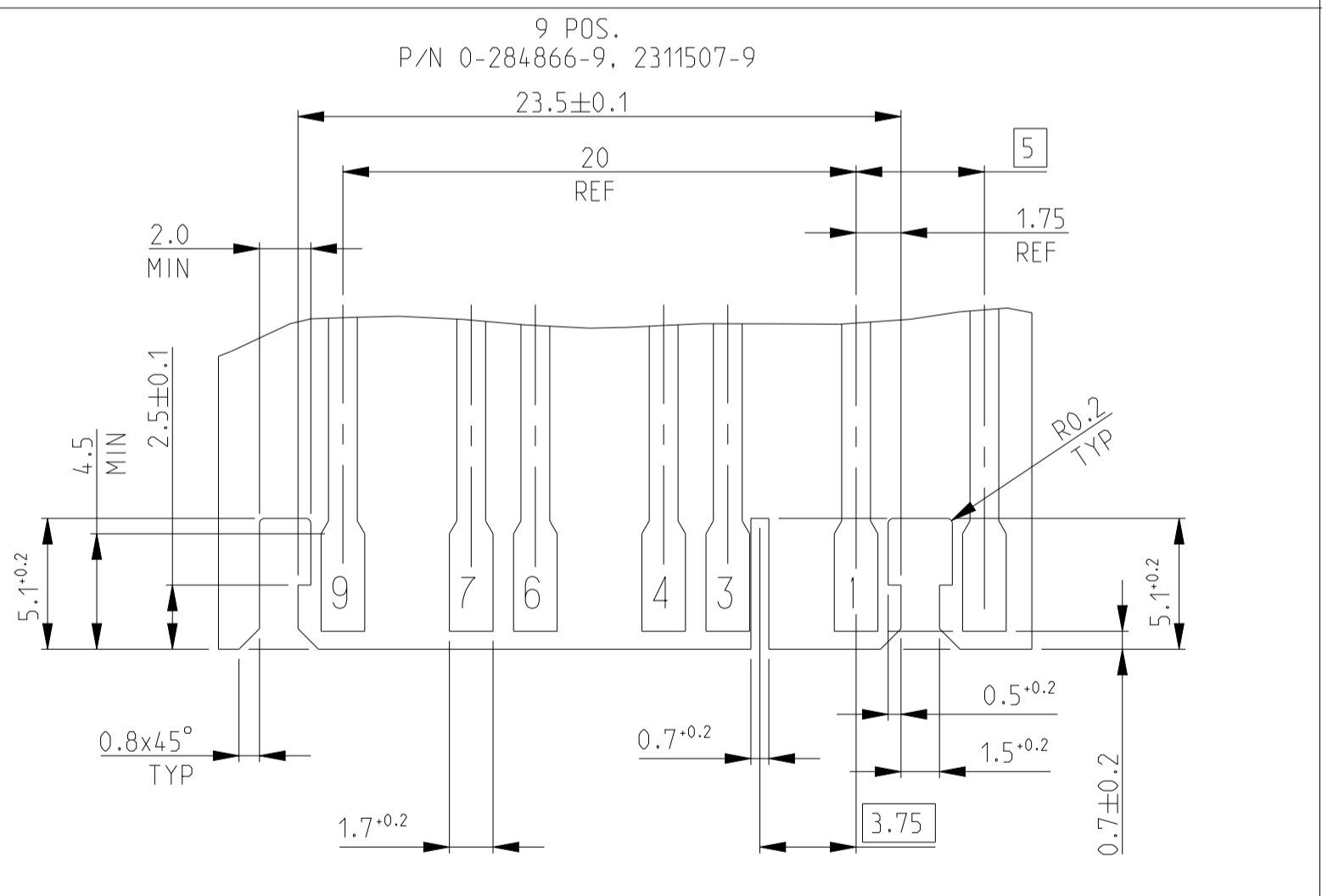
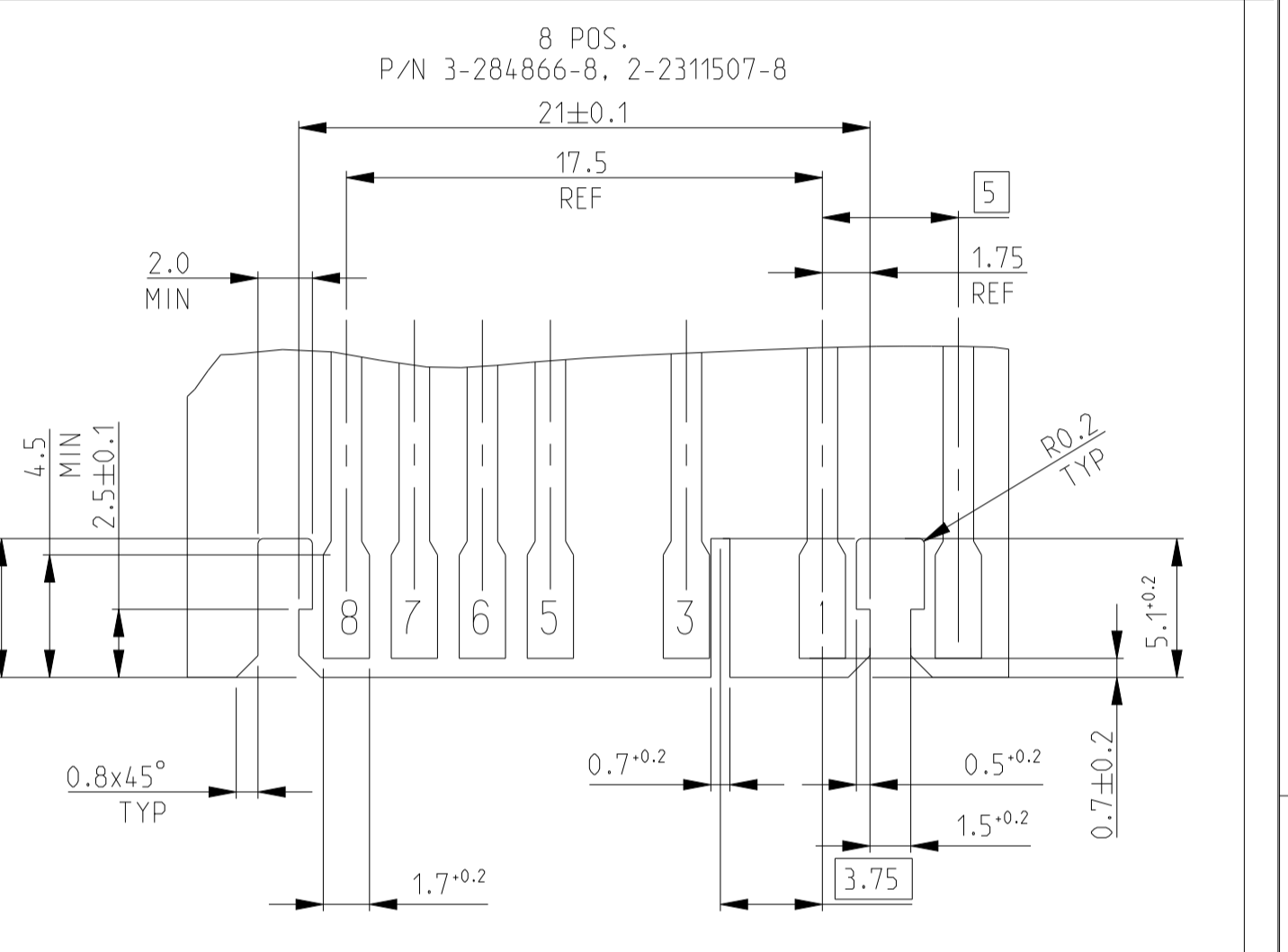
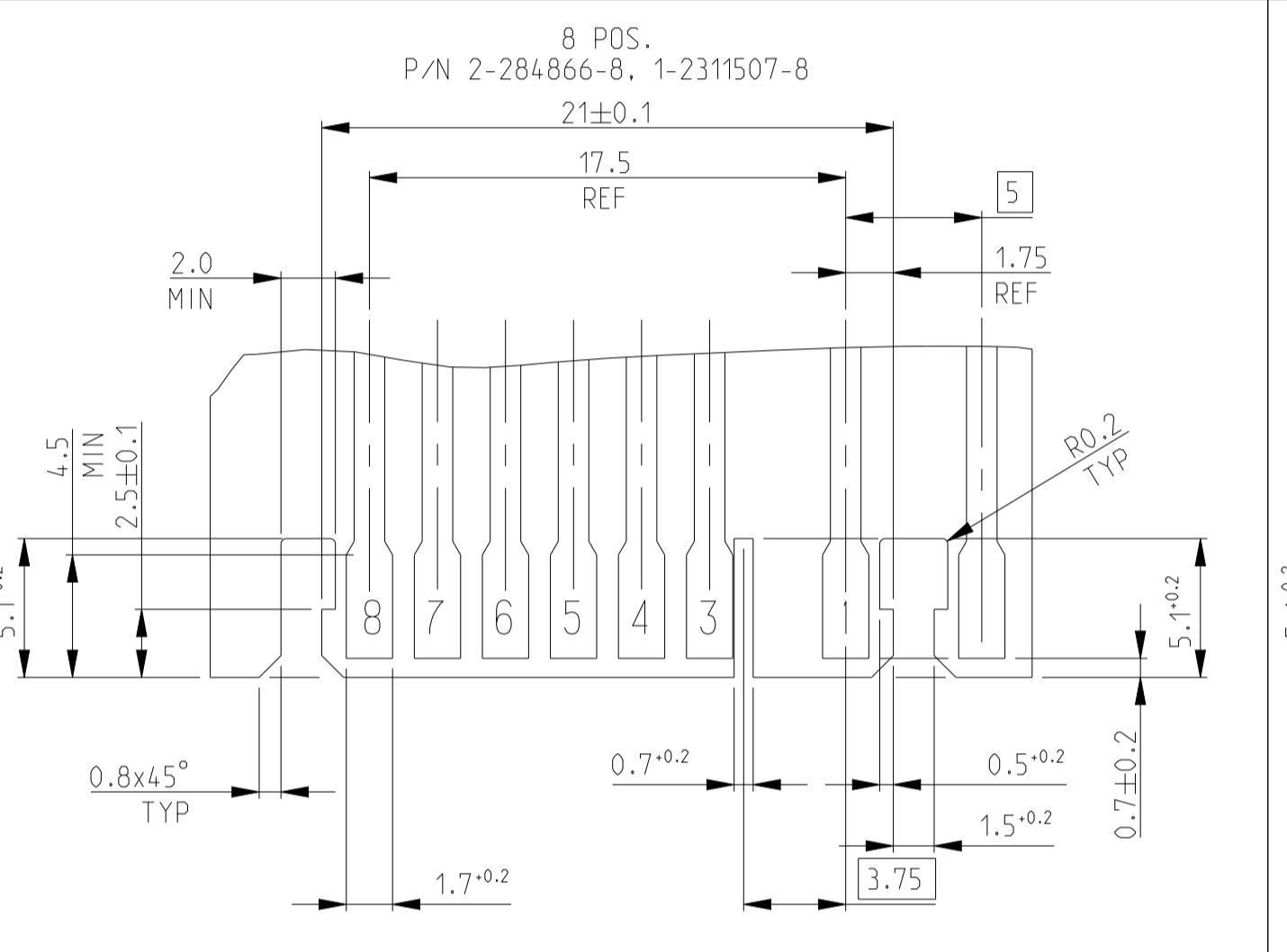
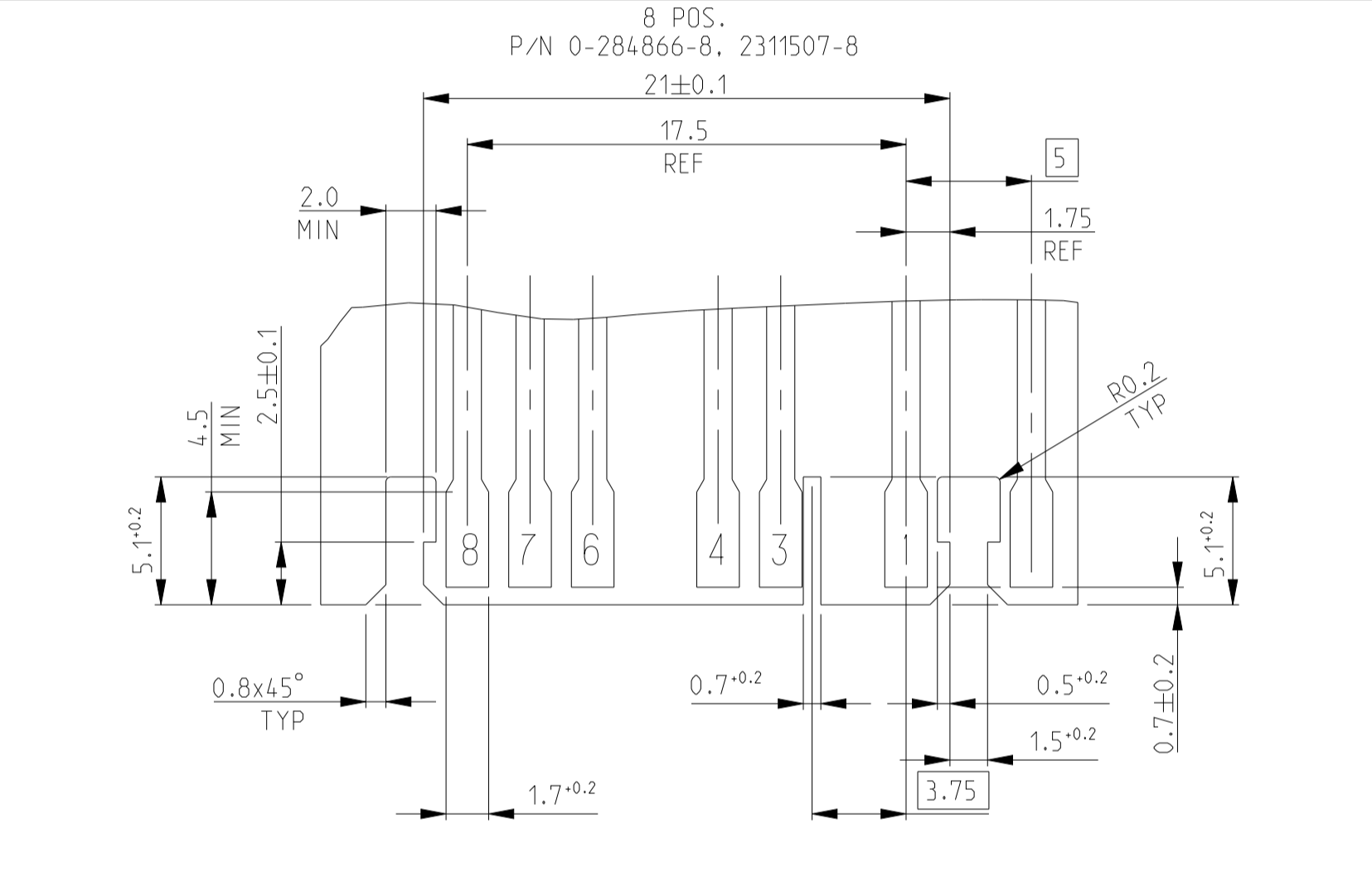
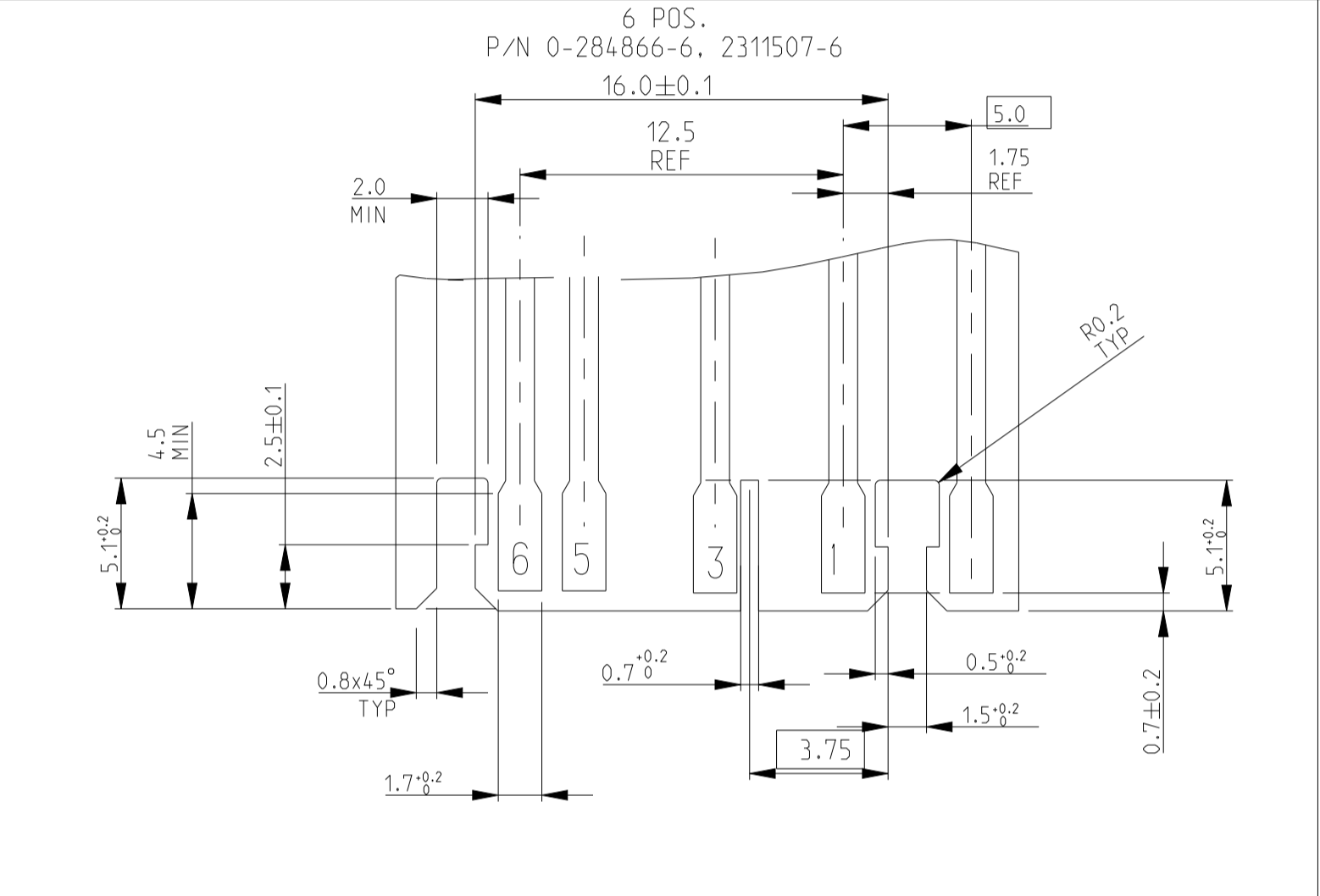
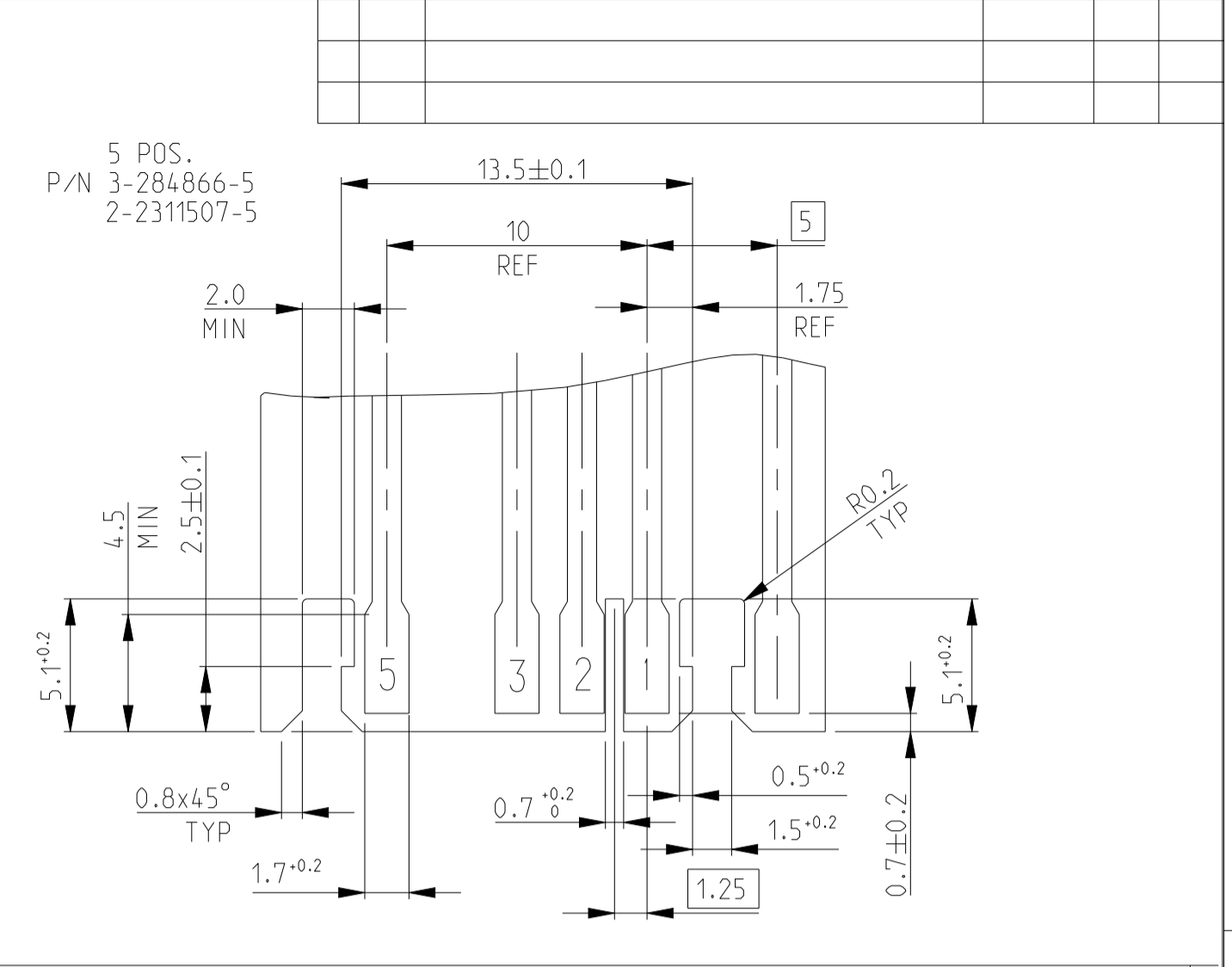
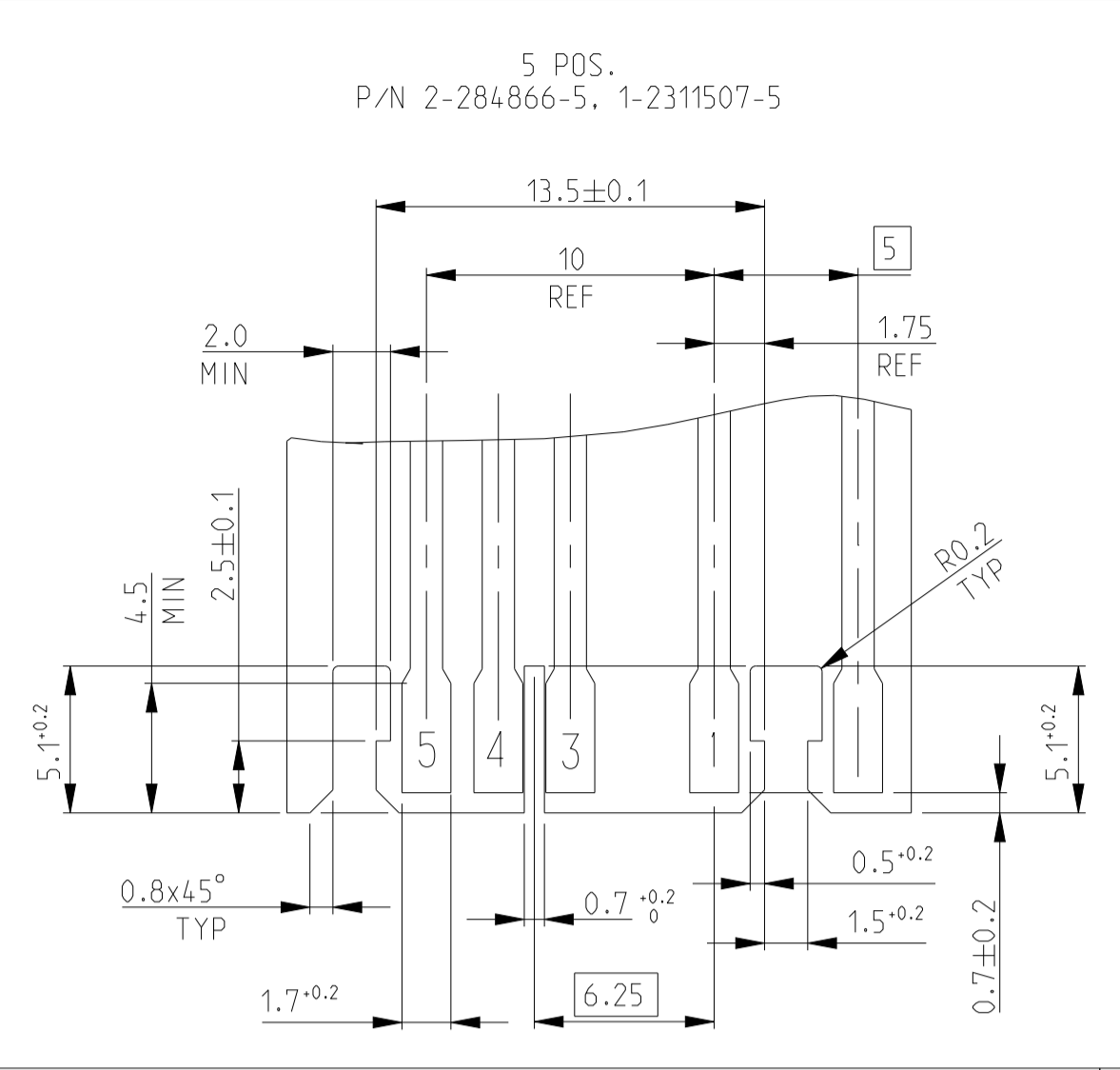
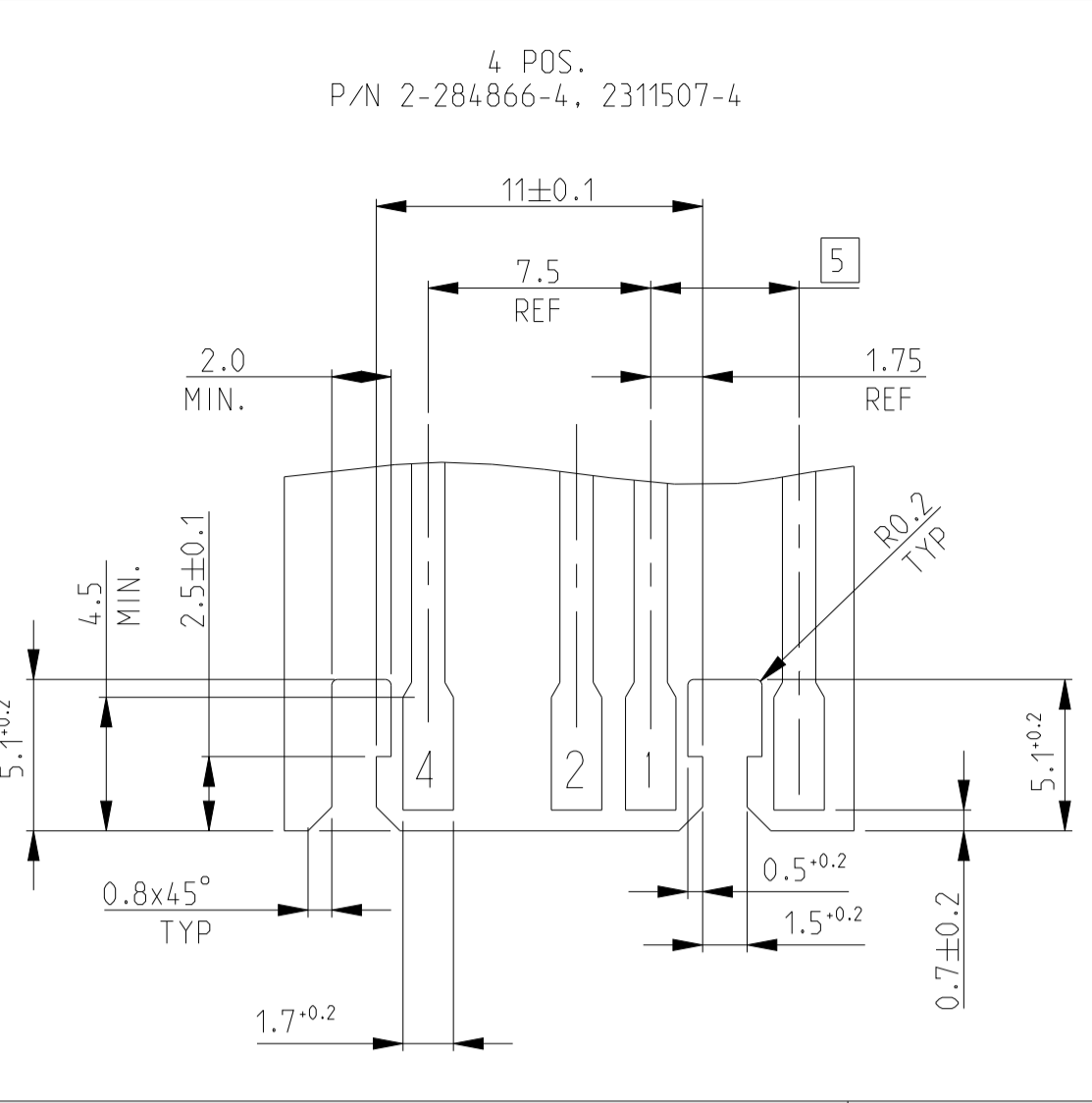
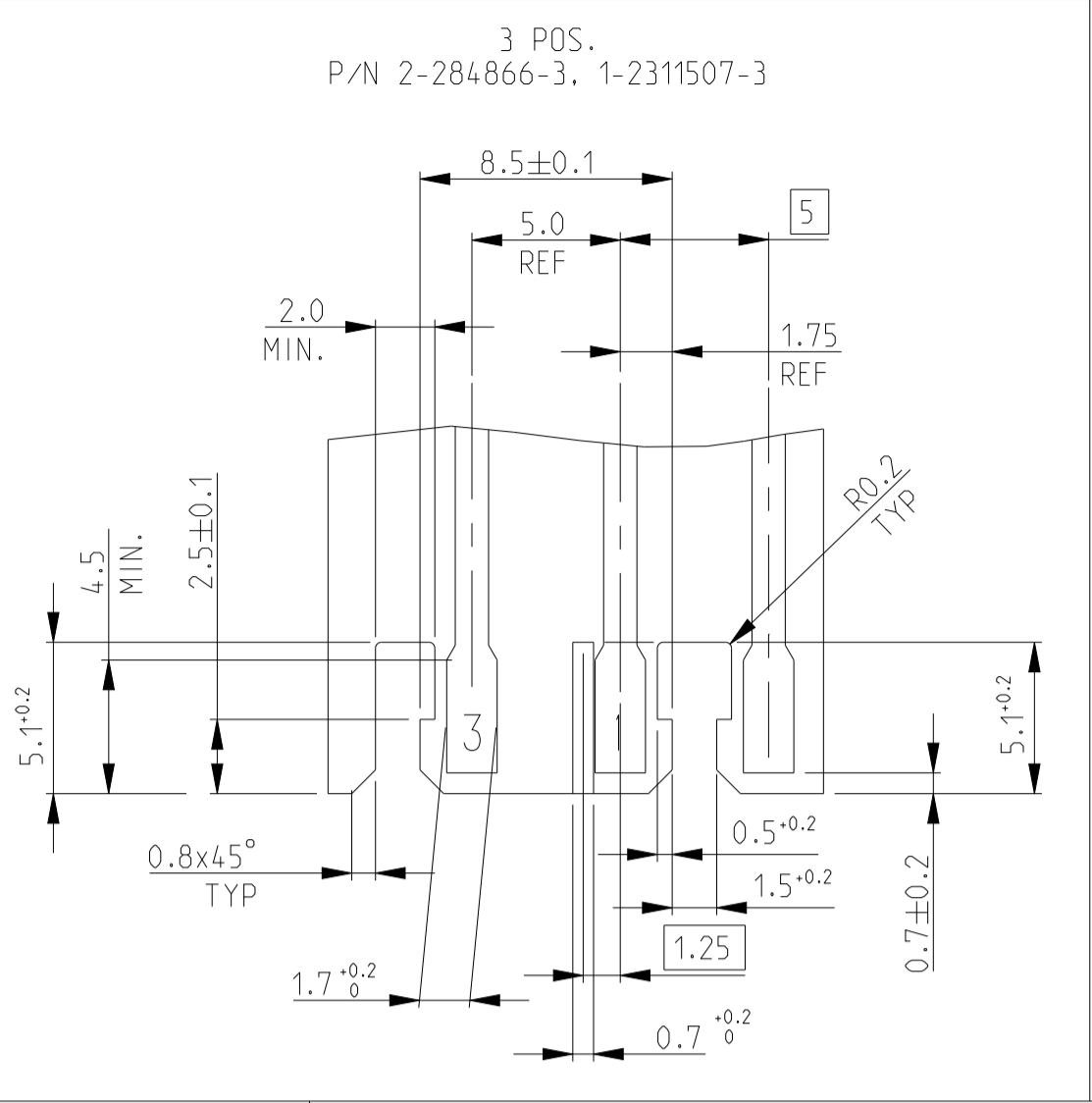
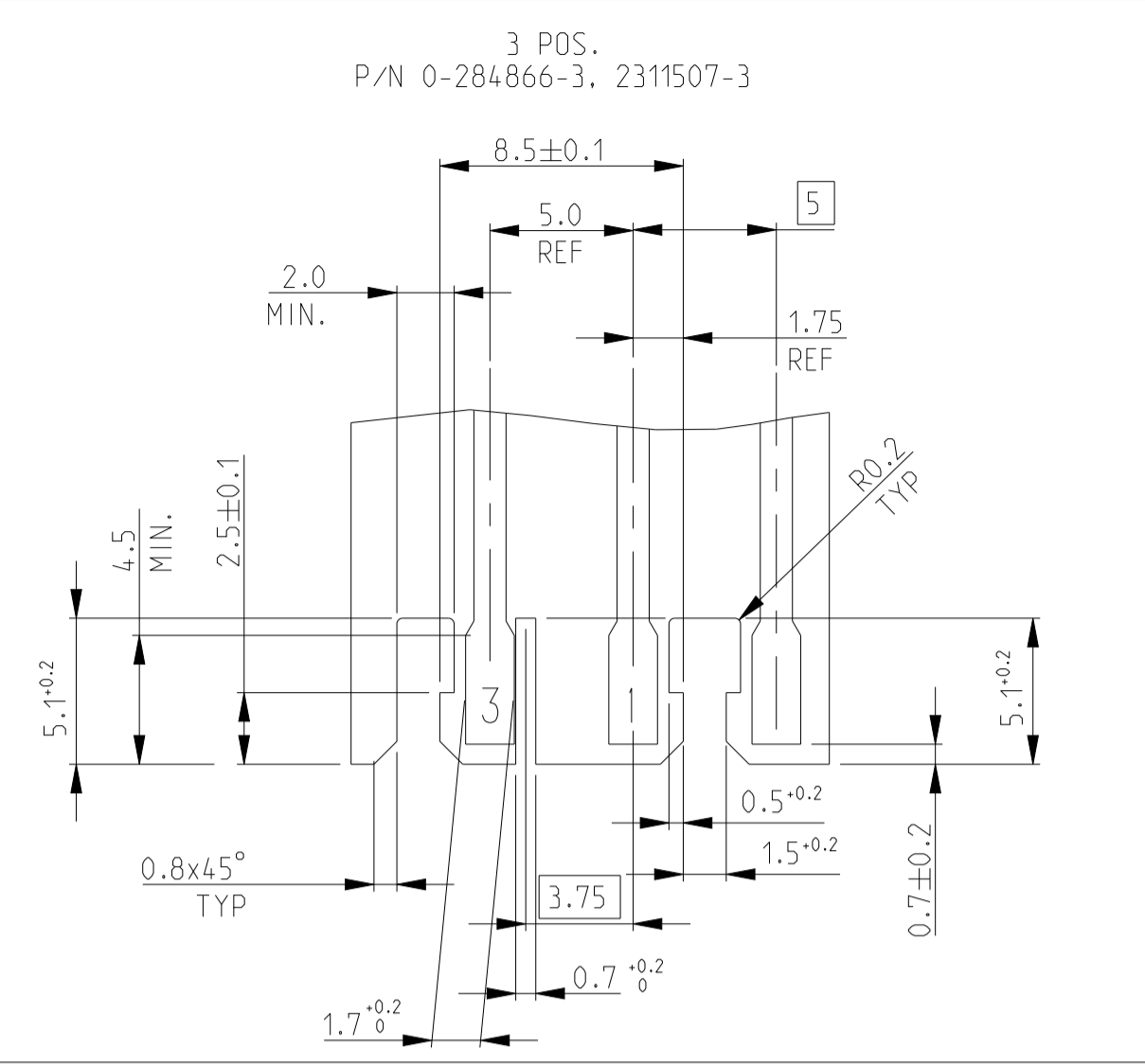
P/N 2-284866-8 AS SHOWN

SEE TABLE	PH. BRONZE, TIN PLATED	IDC RECEPTACLE CONTACT	2	THIS DRAWING IS A CONTROLLED DOCUMENT.		OWN R. FABRIS	03JUL2002	TE Connectivity DUOPLUG 2.5 FEMALE CONN., SIDE LOCKING, KEYED (SELECTIVELY LOADED CONTACTS)
Q.TY	MATERIAL	DESCRIPTION	ITEM	DIMENSIONS: mm	TOLERANCES UNLESS OTHERWISE SPECIFIED:	APVD G. TURCO	NAME	
1		REVISIONE DELL'ASSEMBLATO (REVISION OF EACH ASSY NOI)				108-20238	SIZE	
0.1% PER ASSEMBLATO 0.05% PER ASSY		ELENCO DEI COMPONENTI (PARTS LIST)				116-18049-1	RESTRICTED TO	
						WEIGHT		
						CUSTOMER DRAWING	SCALE 10:1 SHEET 1 OF 5 REV C6	

PCB LAYOUT -Soldering side-

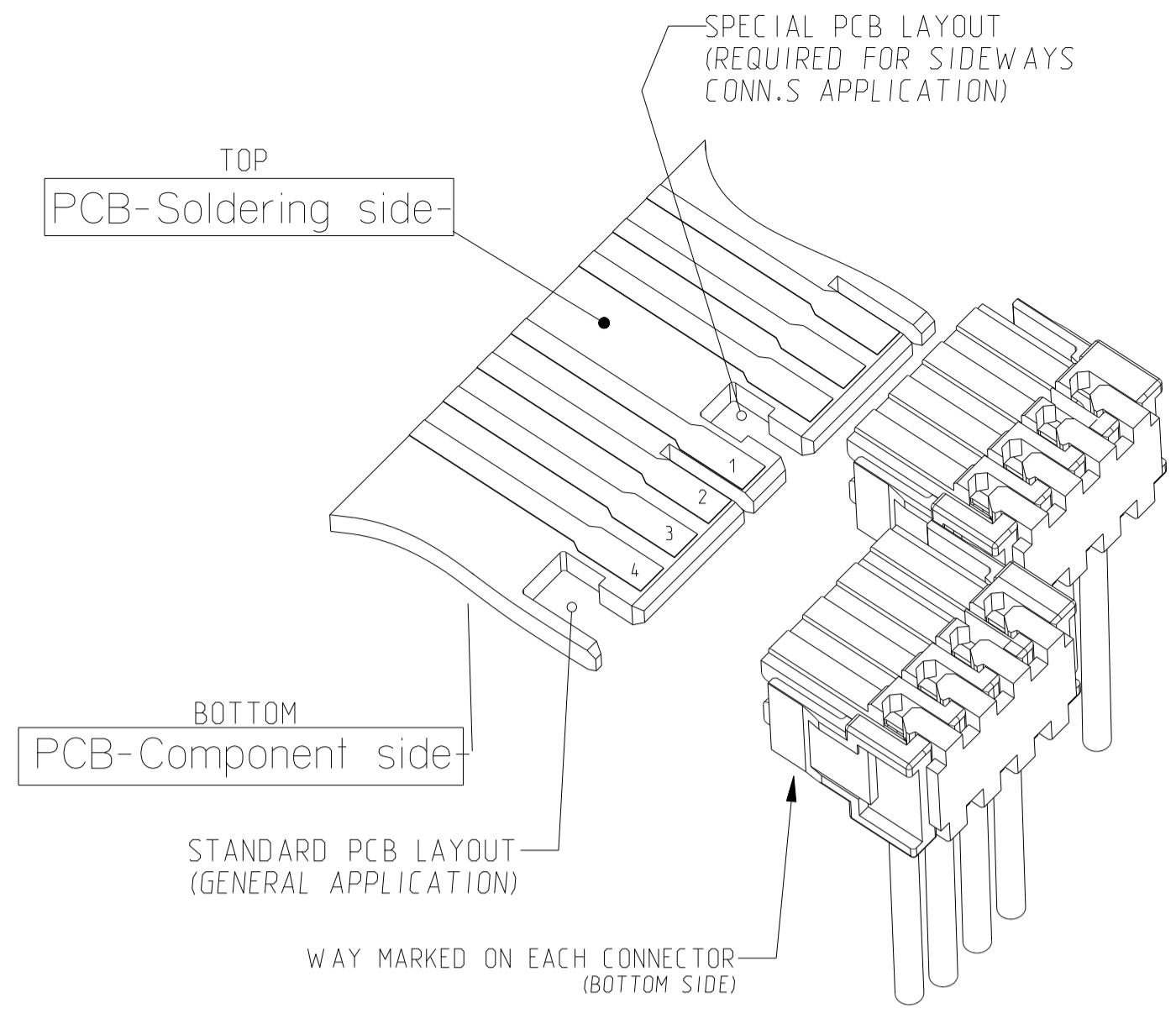
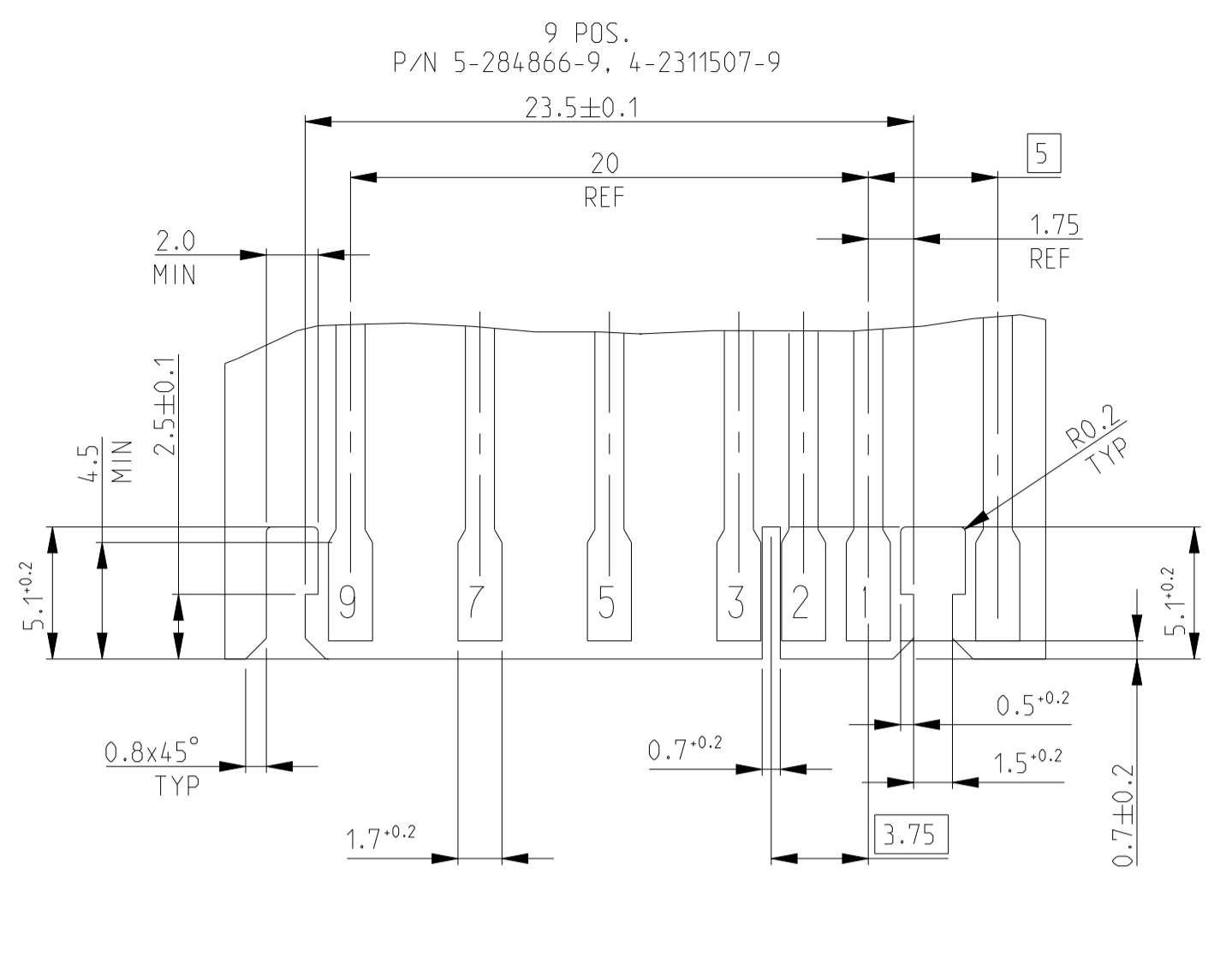
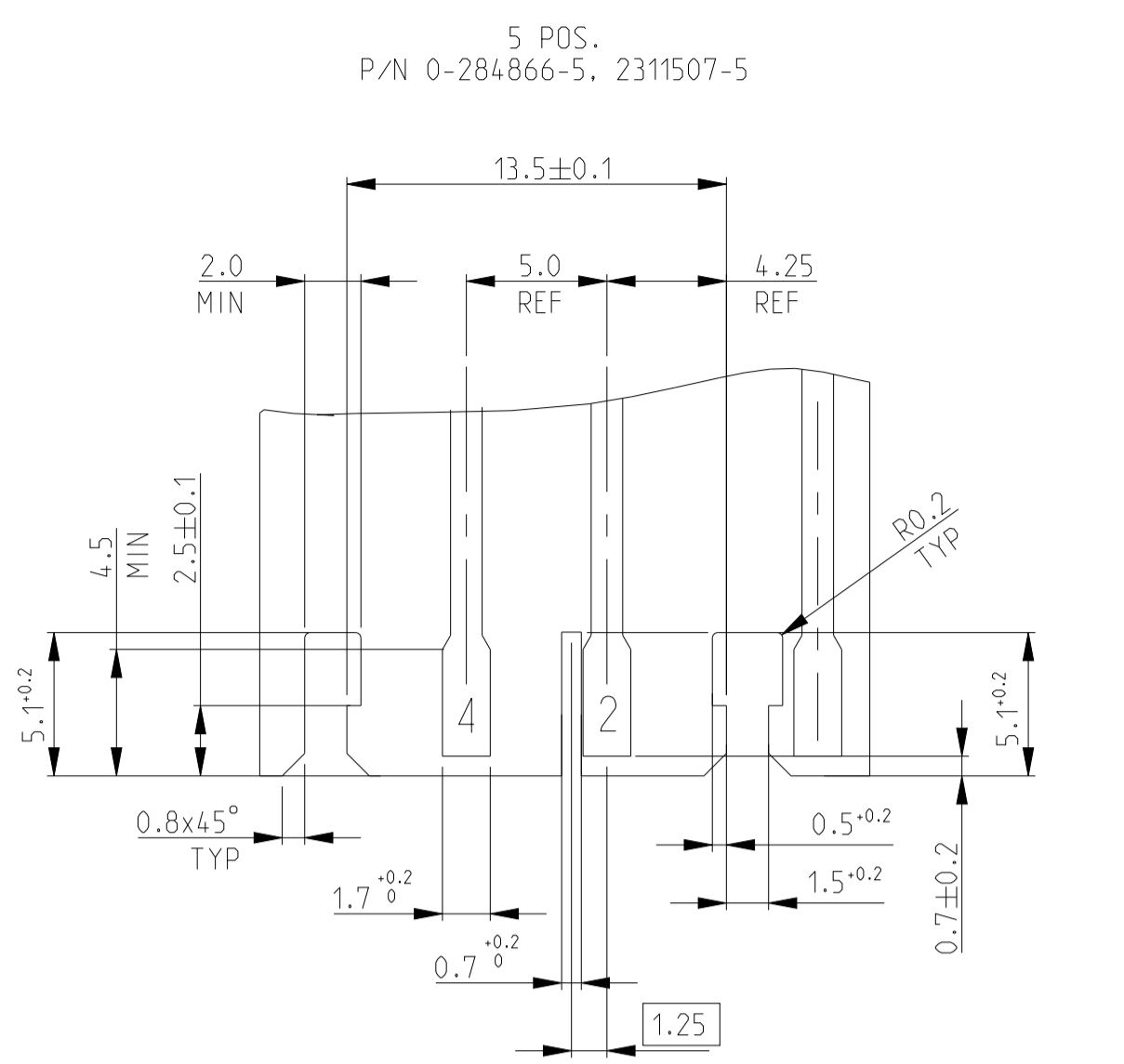
(SCALE 4:1)

REVISIONS				
P	LTN	DESCRIPTION	DATE	OWN APVD
-	-	SEE SHEET 1	-	-

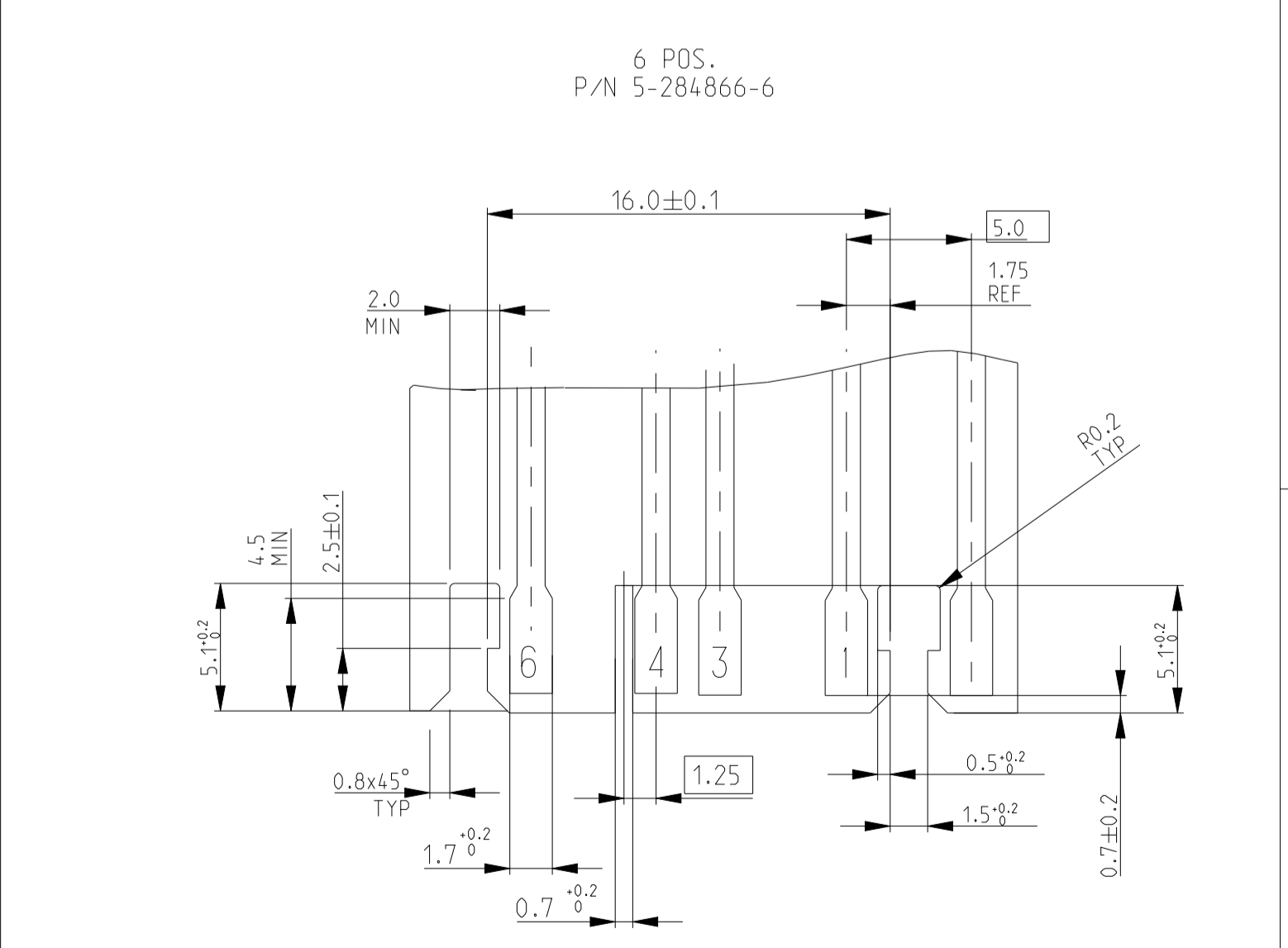
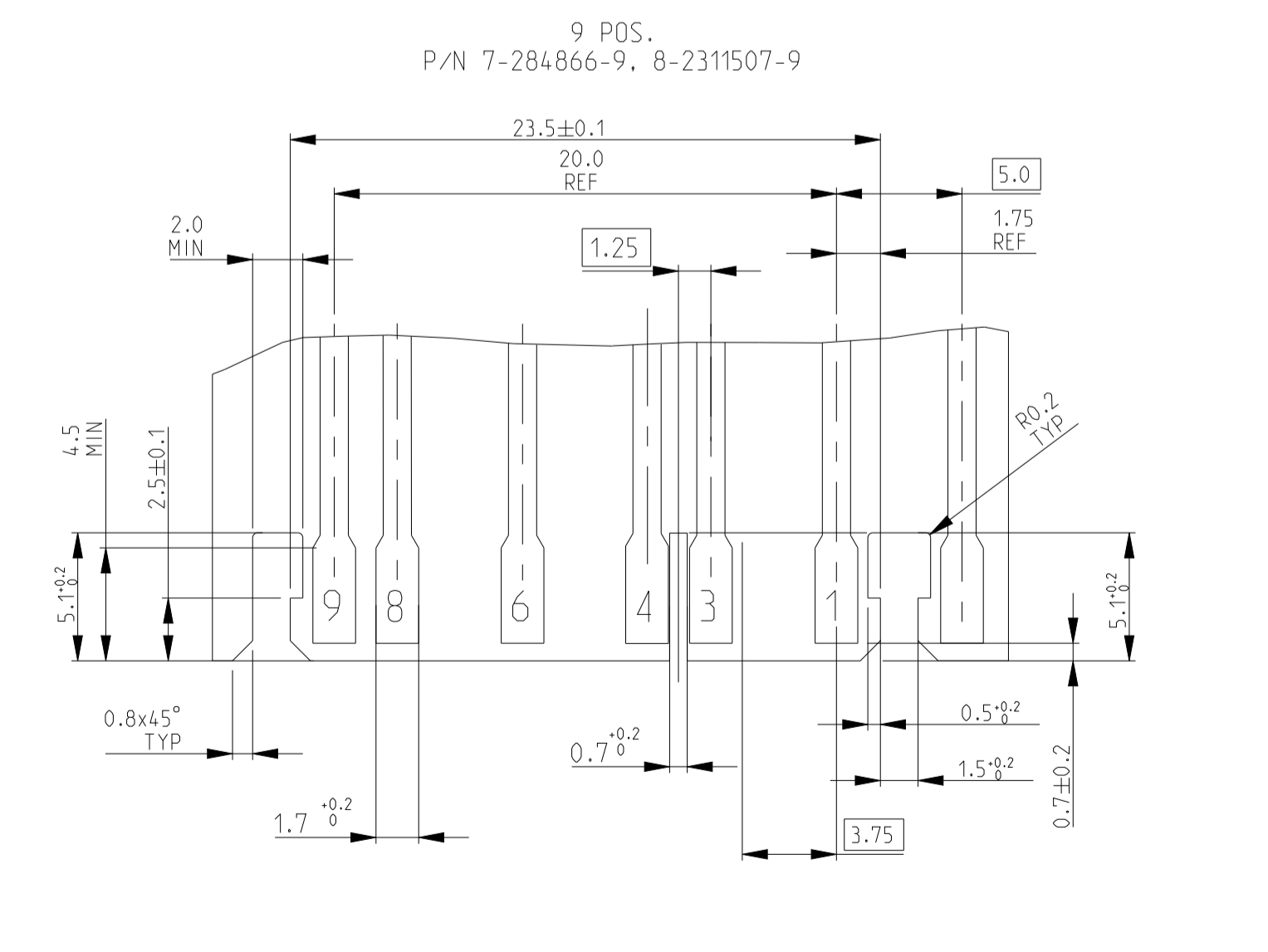
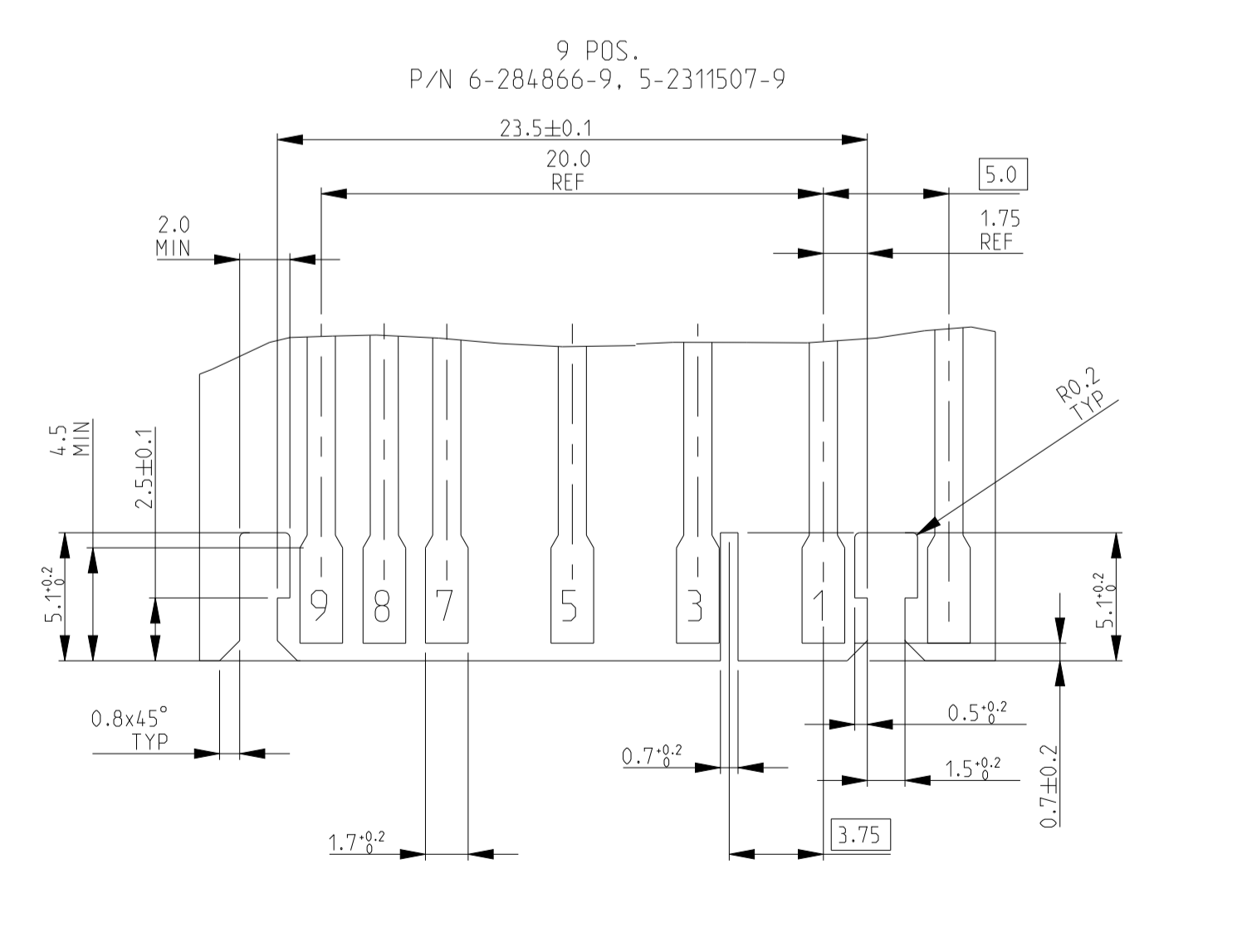
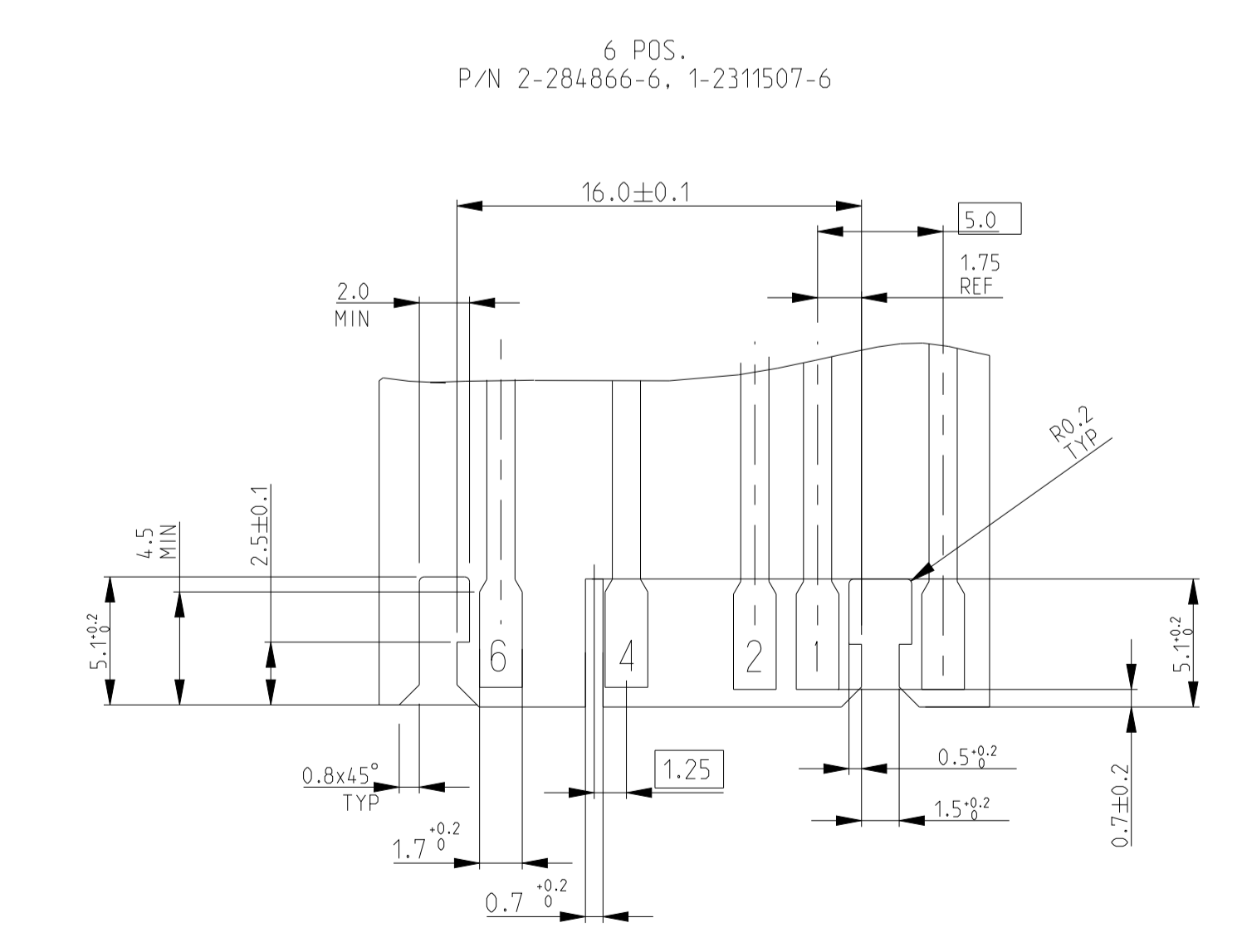
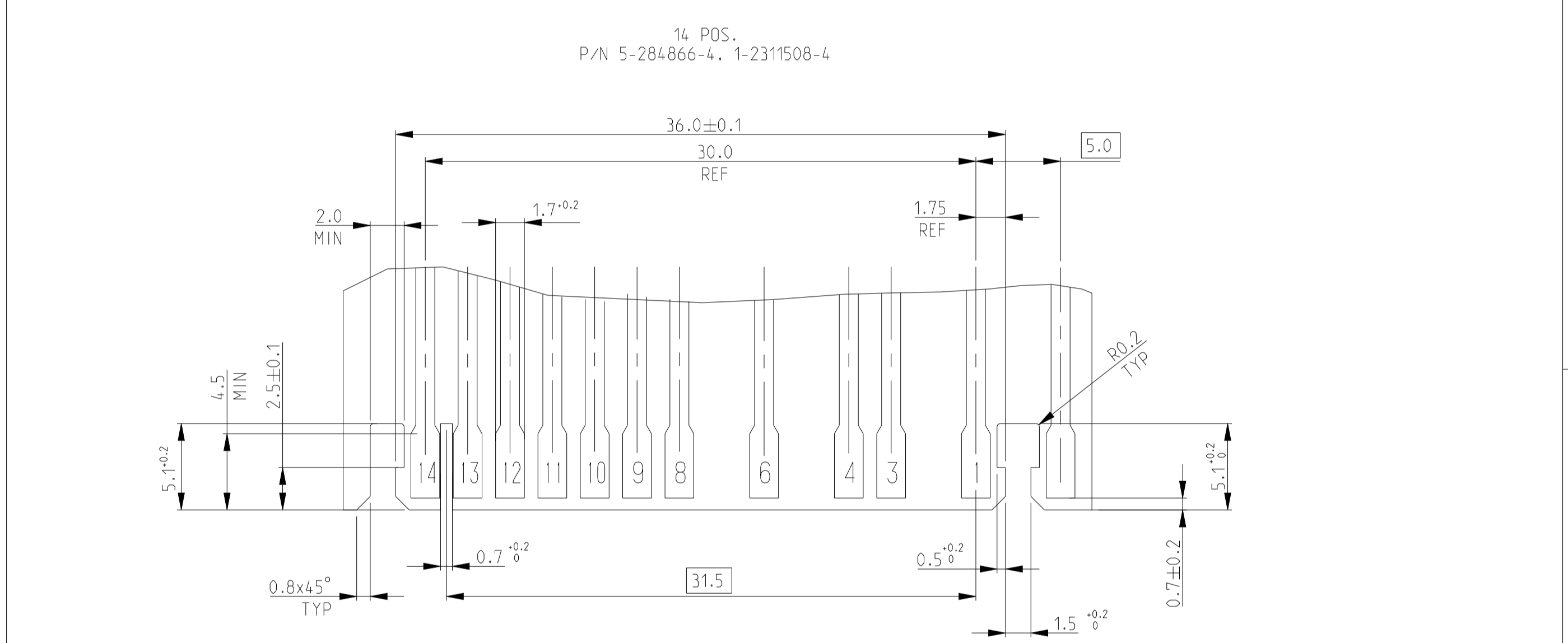
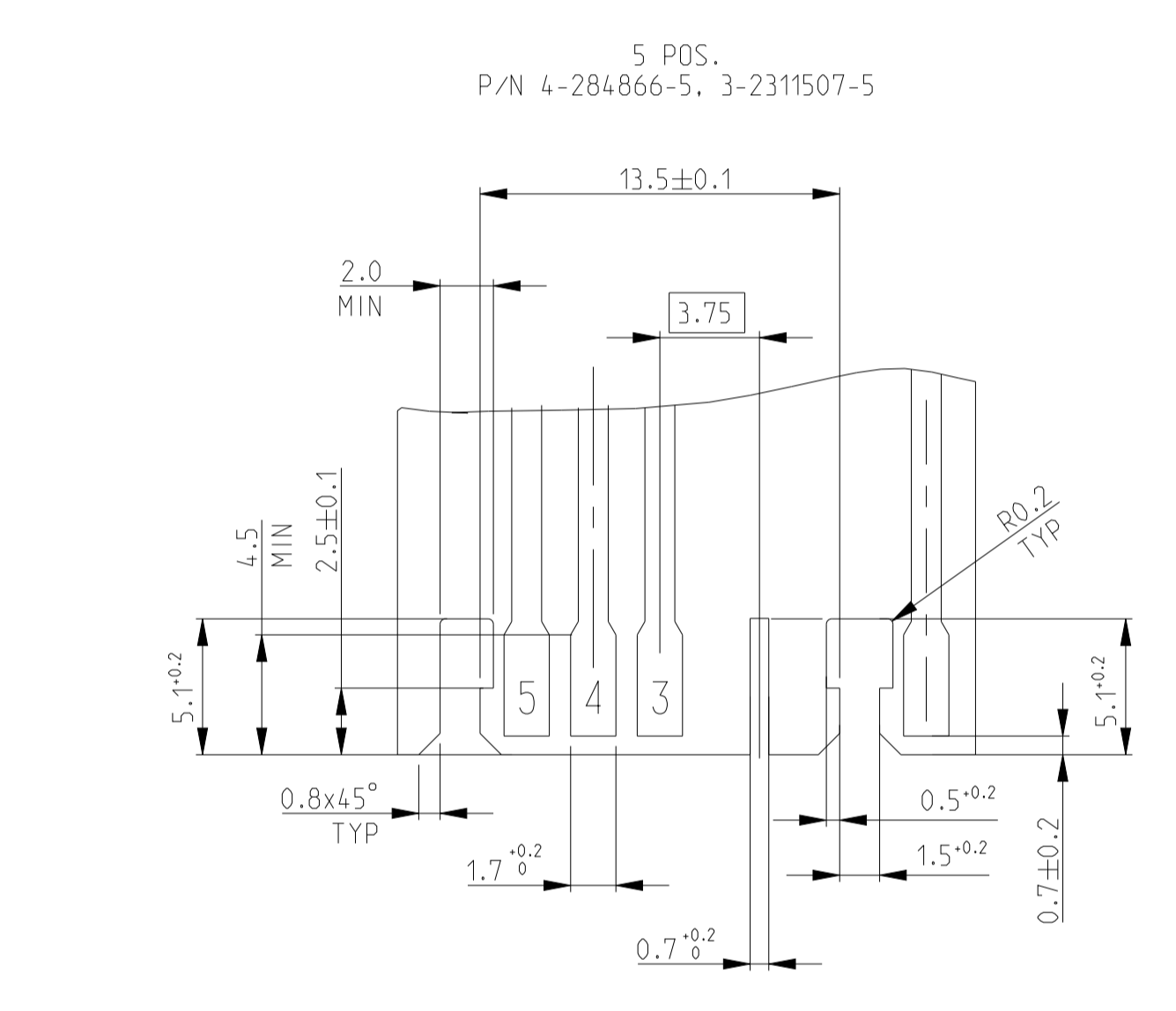
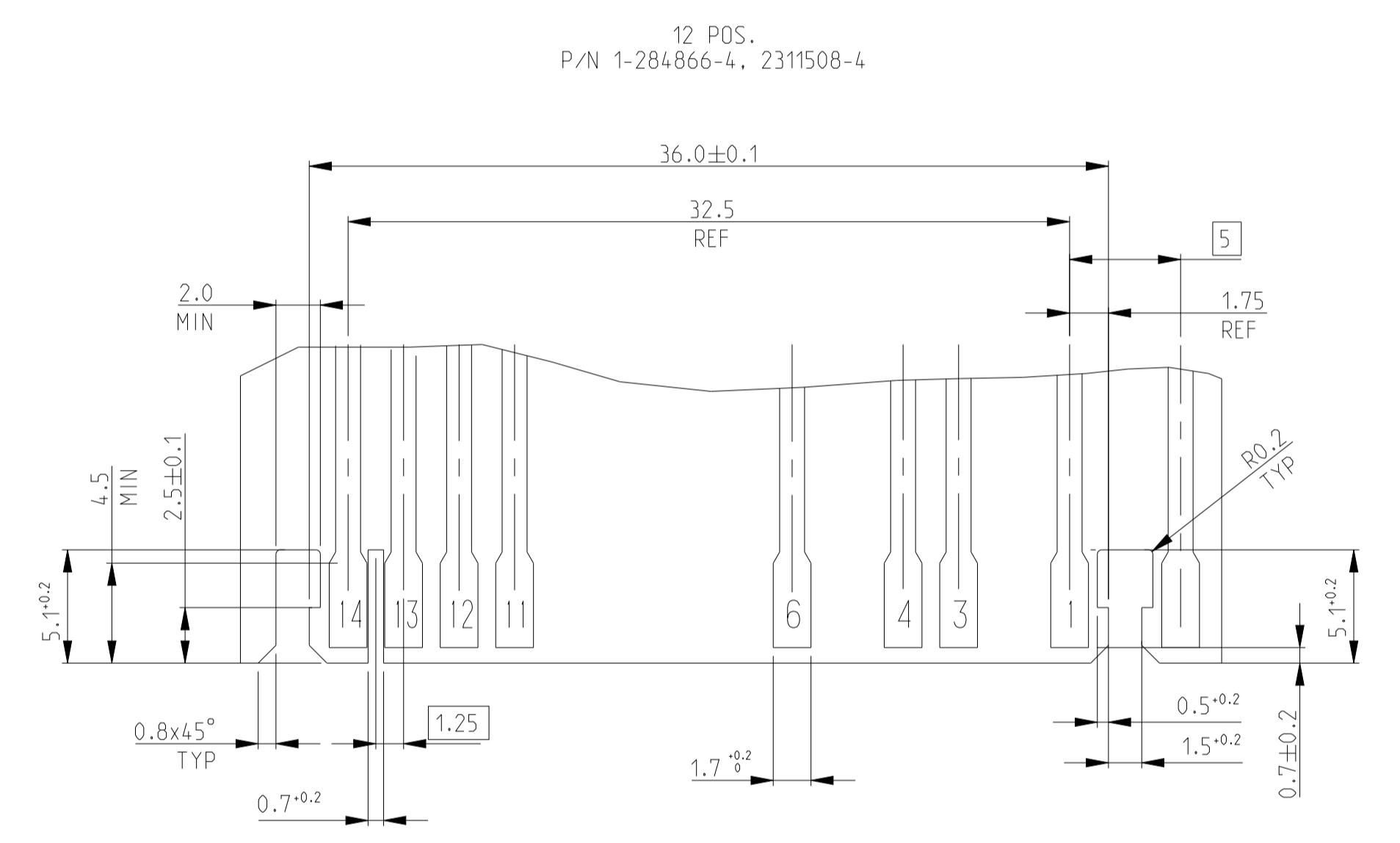


THIS DRAWING IS A CONTROLLED DOCUMENT.		OWN: R. FABRIS	03JUL2002
DIMENSIONS: mm		CHK: -	
TOLERANCES UNLESS OTHERWISE SPECIFIED:		APVD: -	
0 PLC		NAME: DUOPLUG 2.5 FEMALE CONN., SIDE LOCKING, KEYED (SELECTIVELY LOADED CONTACTS)	
1 PLC		PRODUCT SPEC	
2 PLC		APPLICATION SPEC	
3 PLC		108-20238	
4 PLC		116-18049-1	
ANGLES		WEIGHT	
FINISH		SIZE: A1	CAGE CODE: 00779
MATERIAL: SEE TABLE		SCALE: 6:1	SHEET: 2 OF 5
SEE TABLE		CUSTOMER DRAWING	REV: C6

REVISIONS				
P.	LTN.	DESCRIPTION	DATE	APPV.
-	-	SEE SHEET 1	-	-



CONNECTION LAYOUT
 E.G P/N 0-284865-4
 (SCALE 4:1)

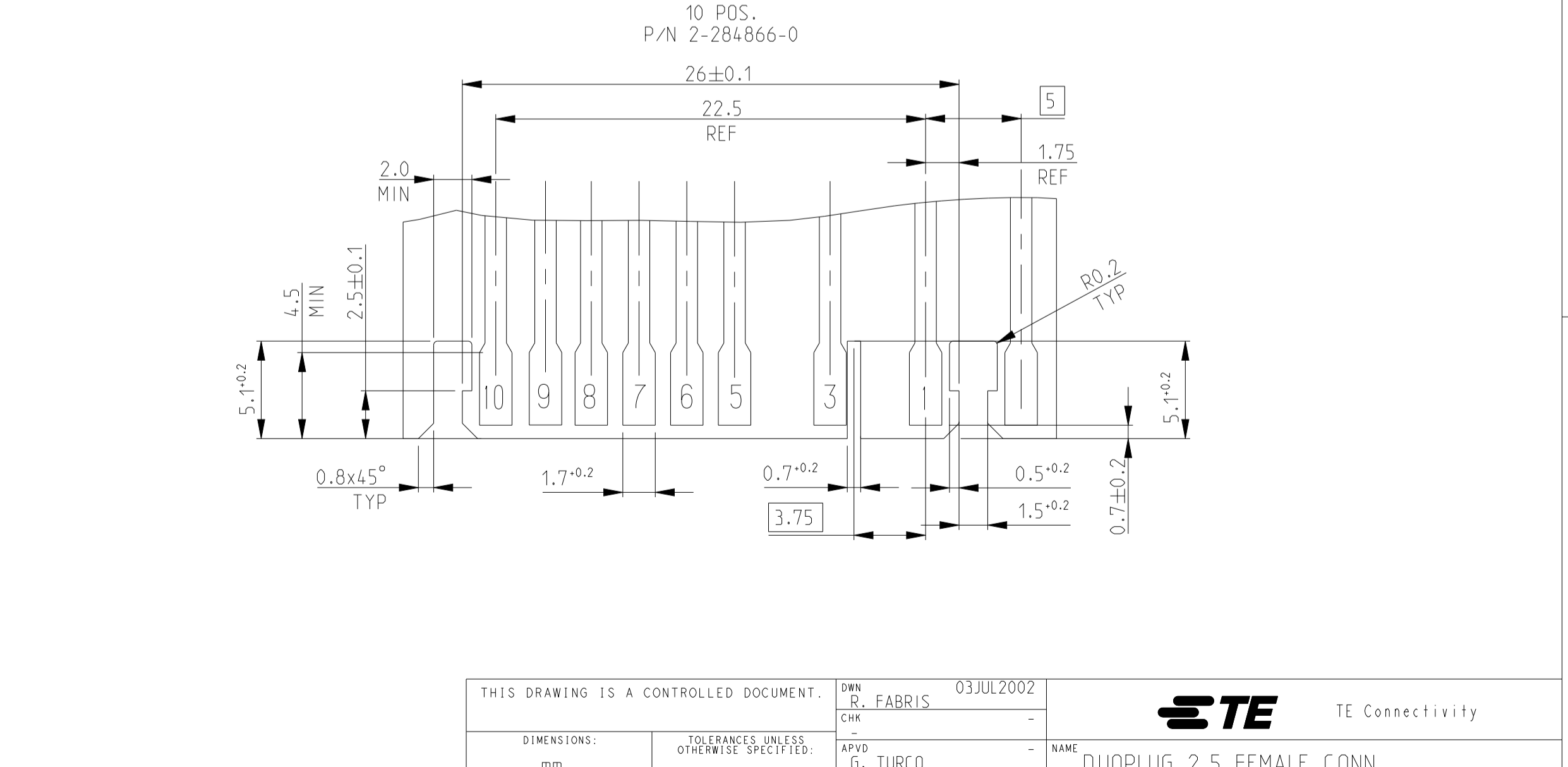
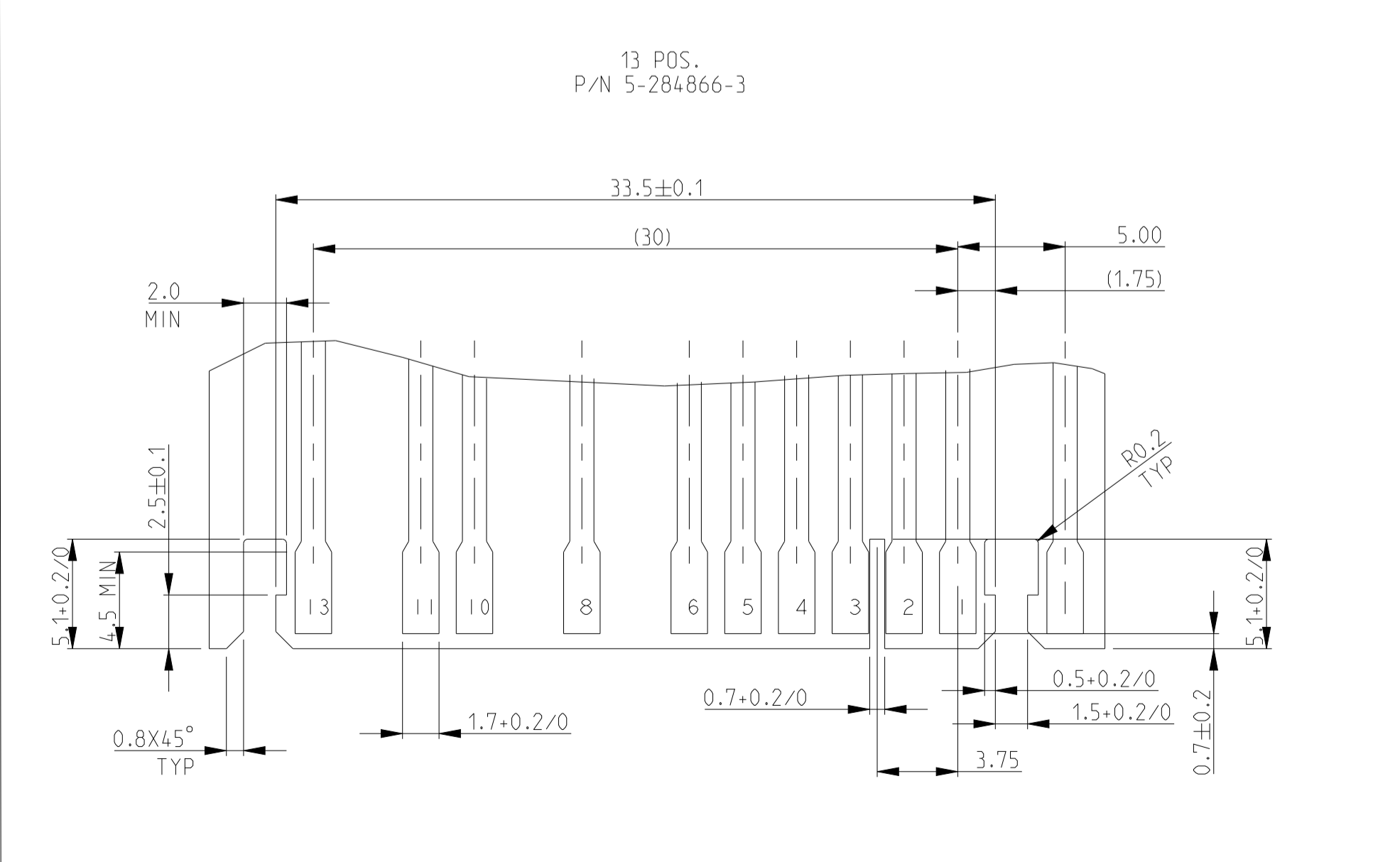
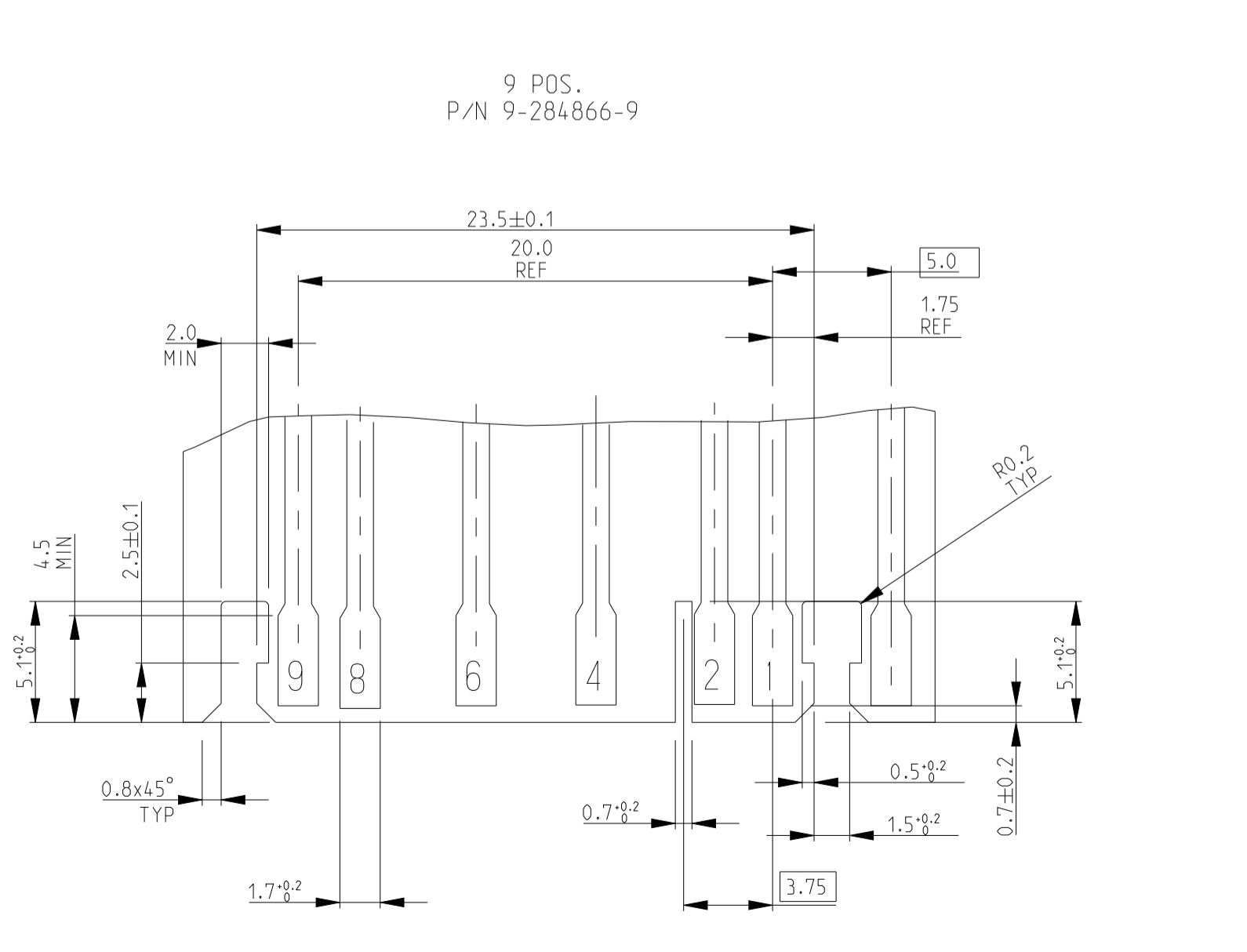
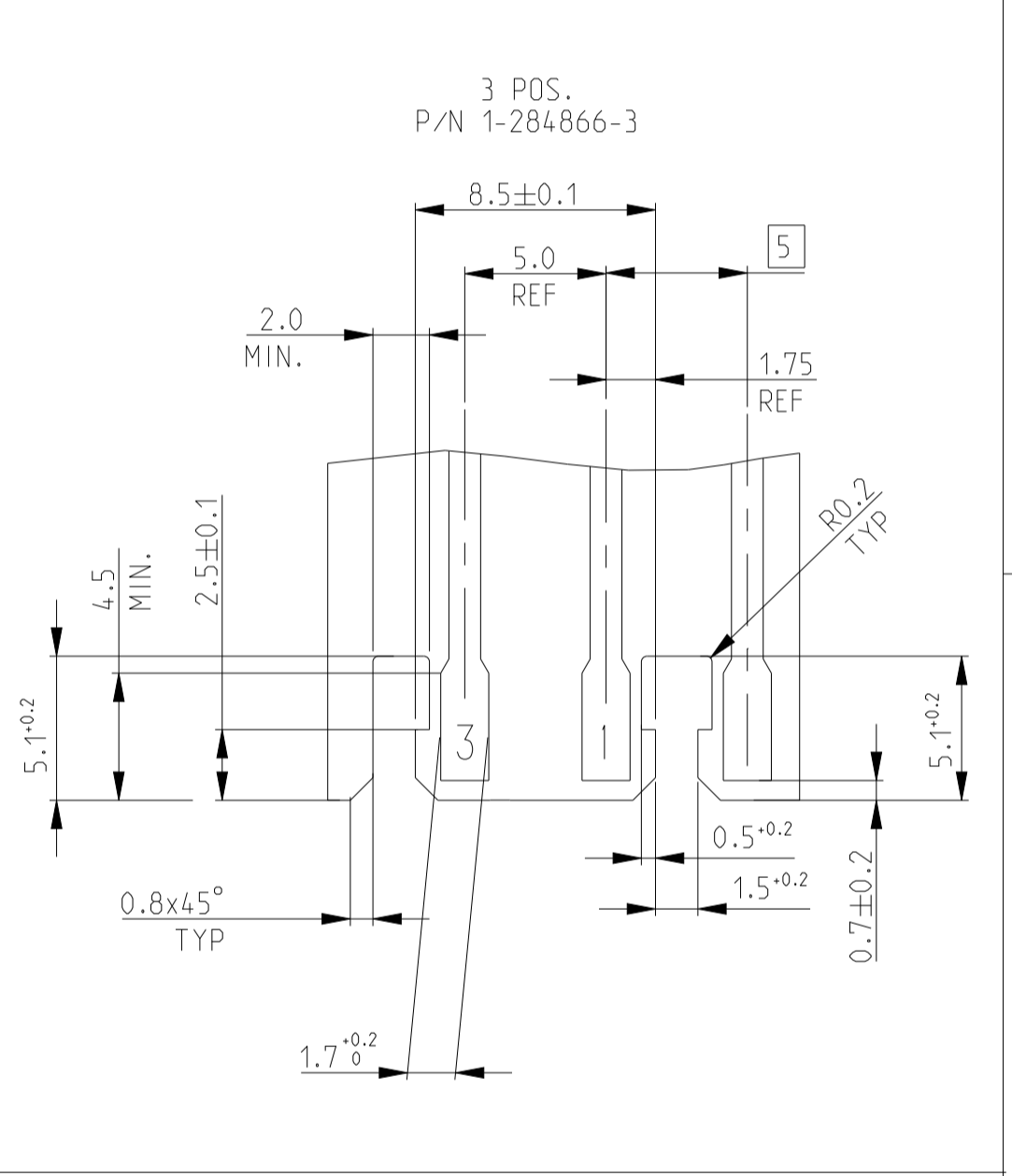
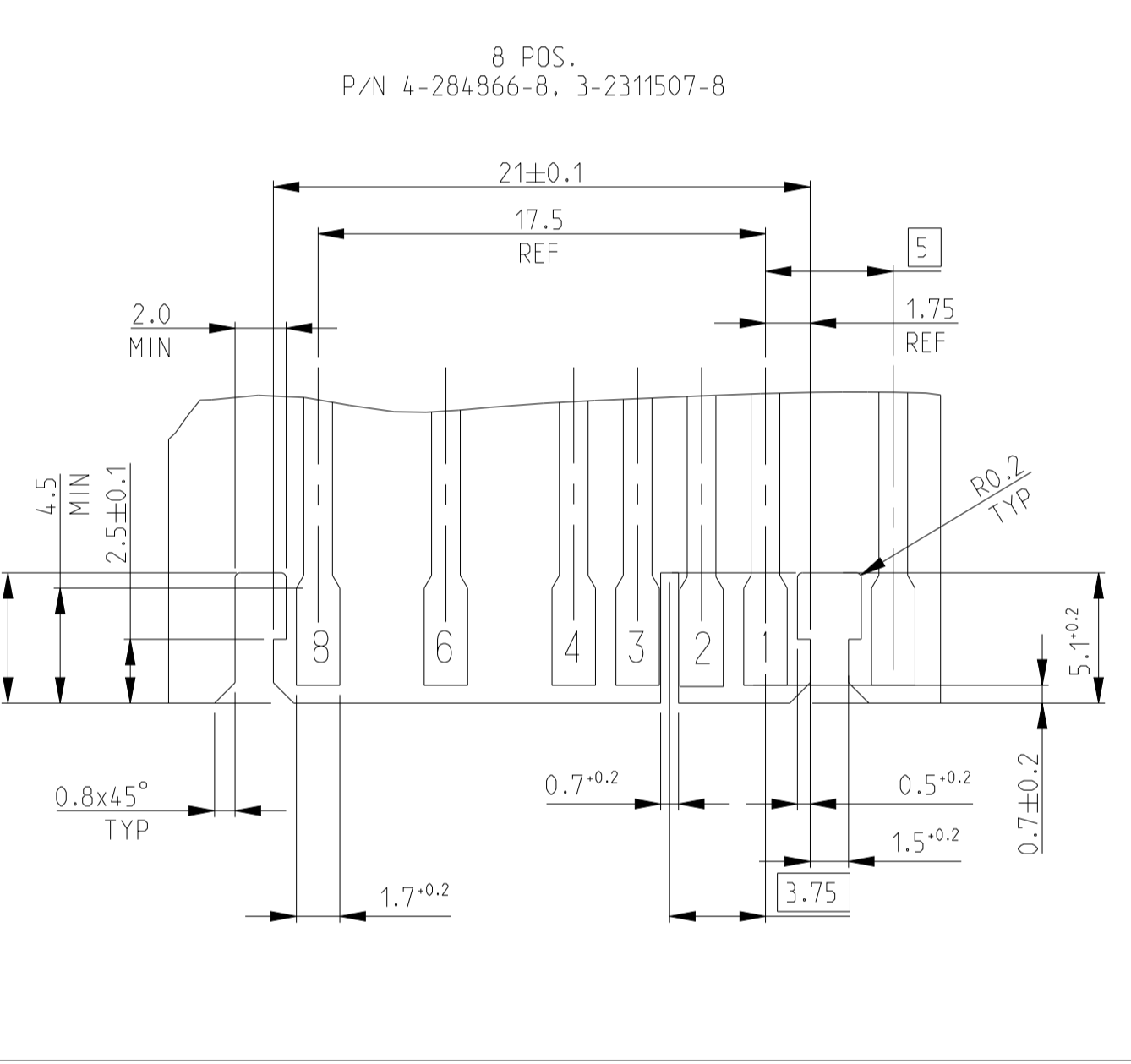
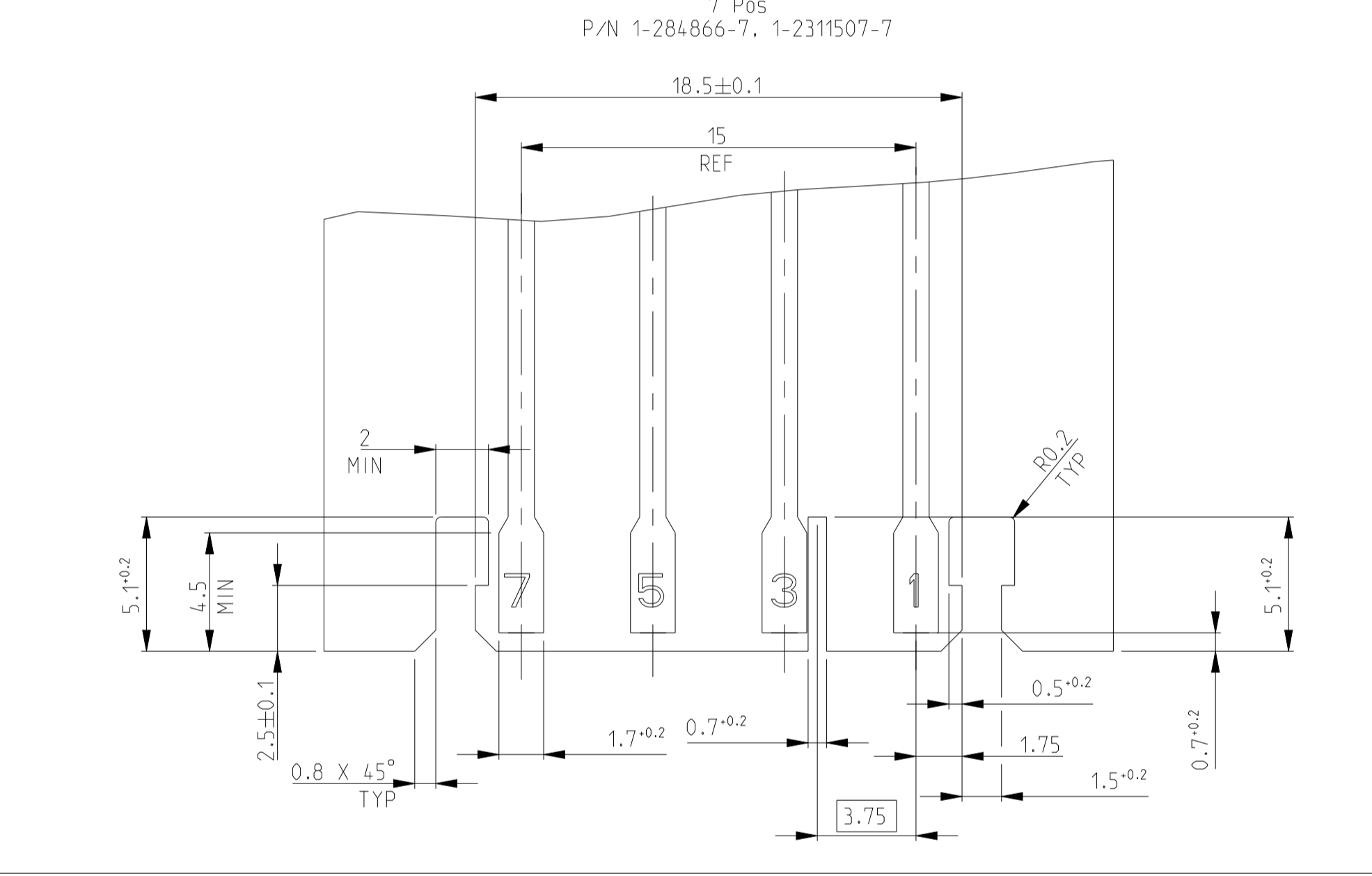
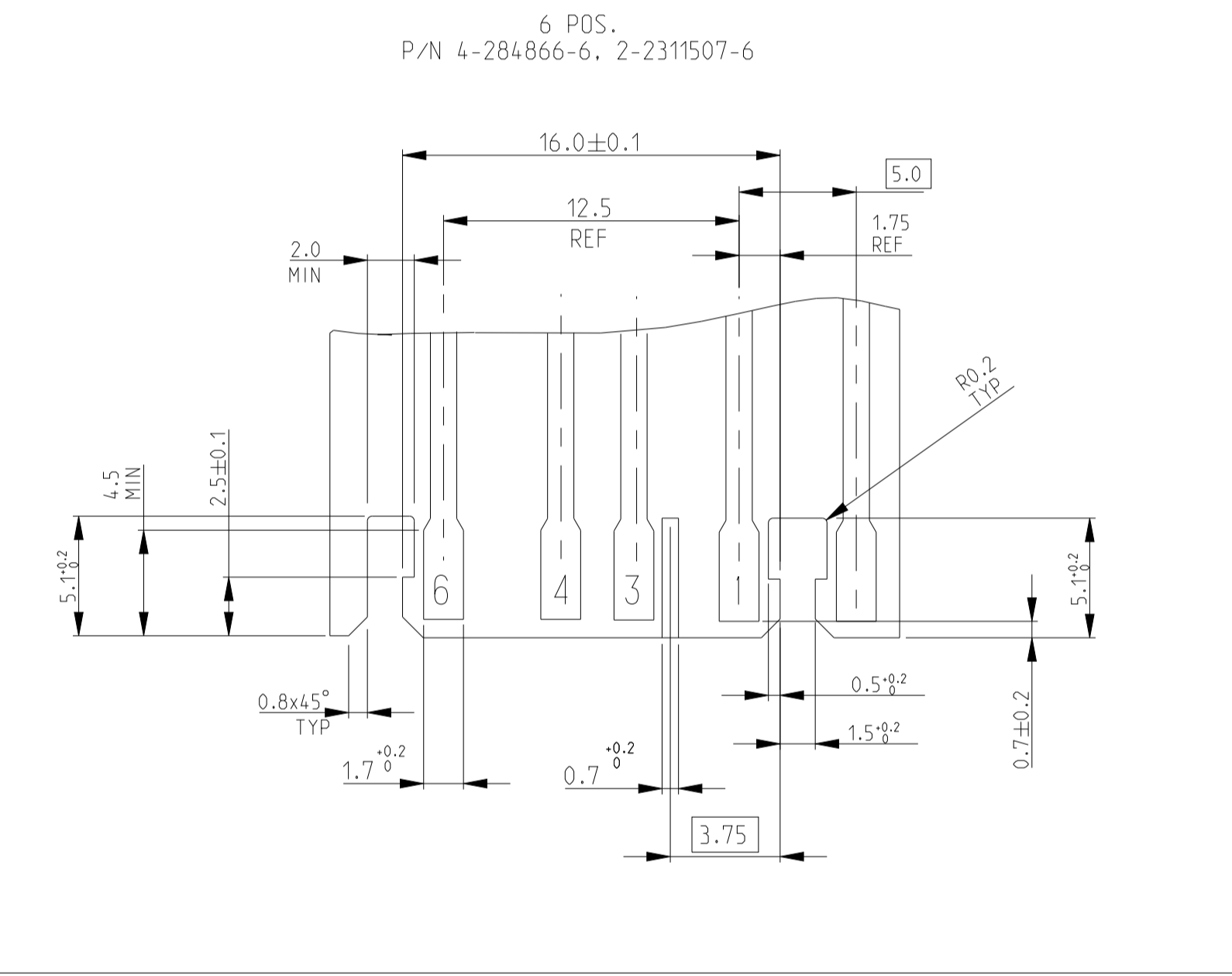
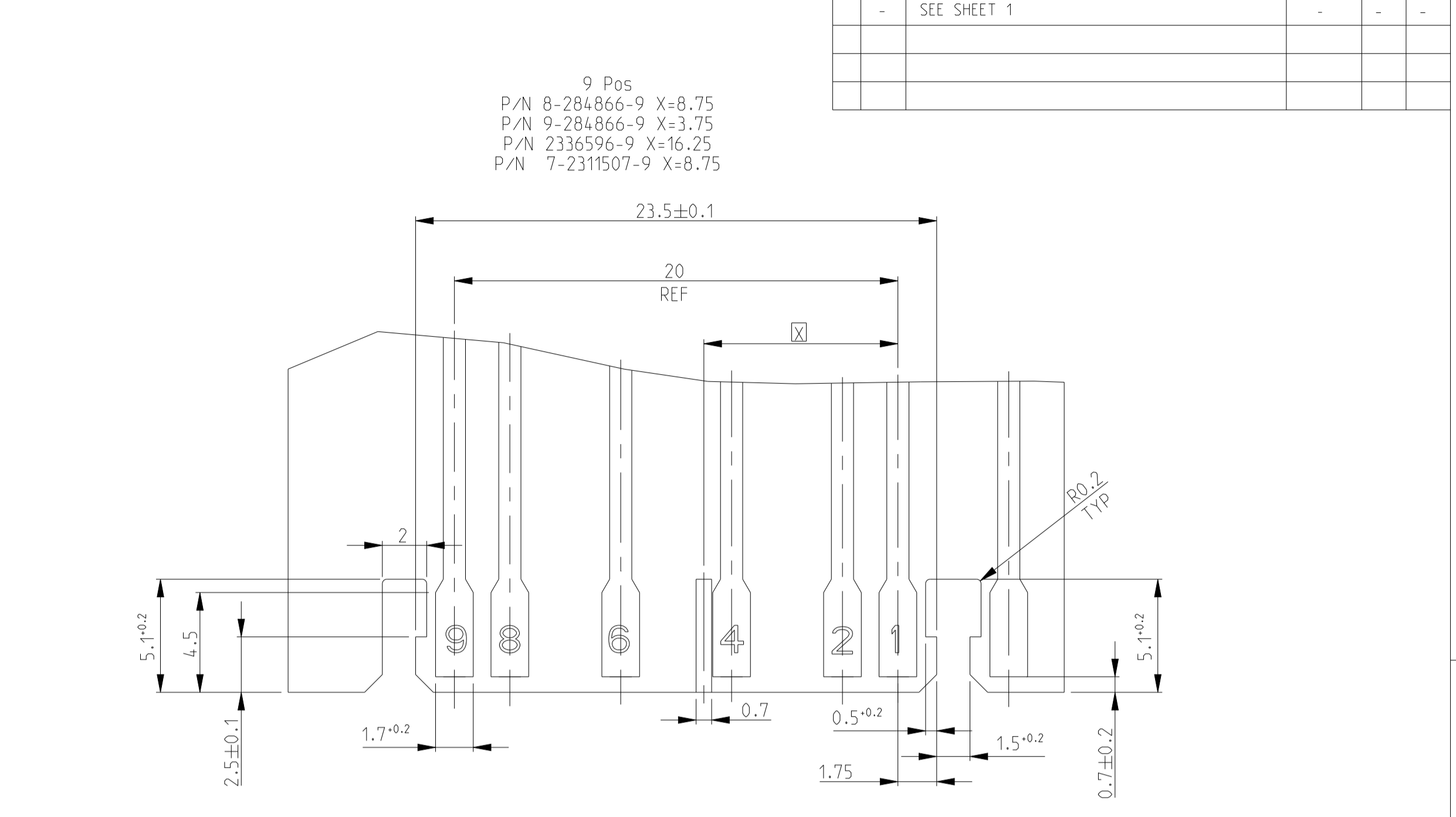
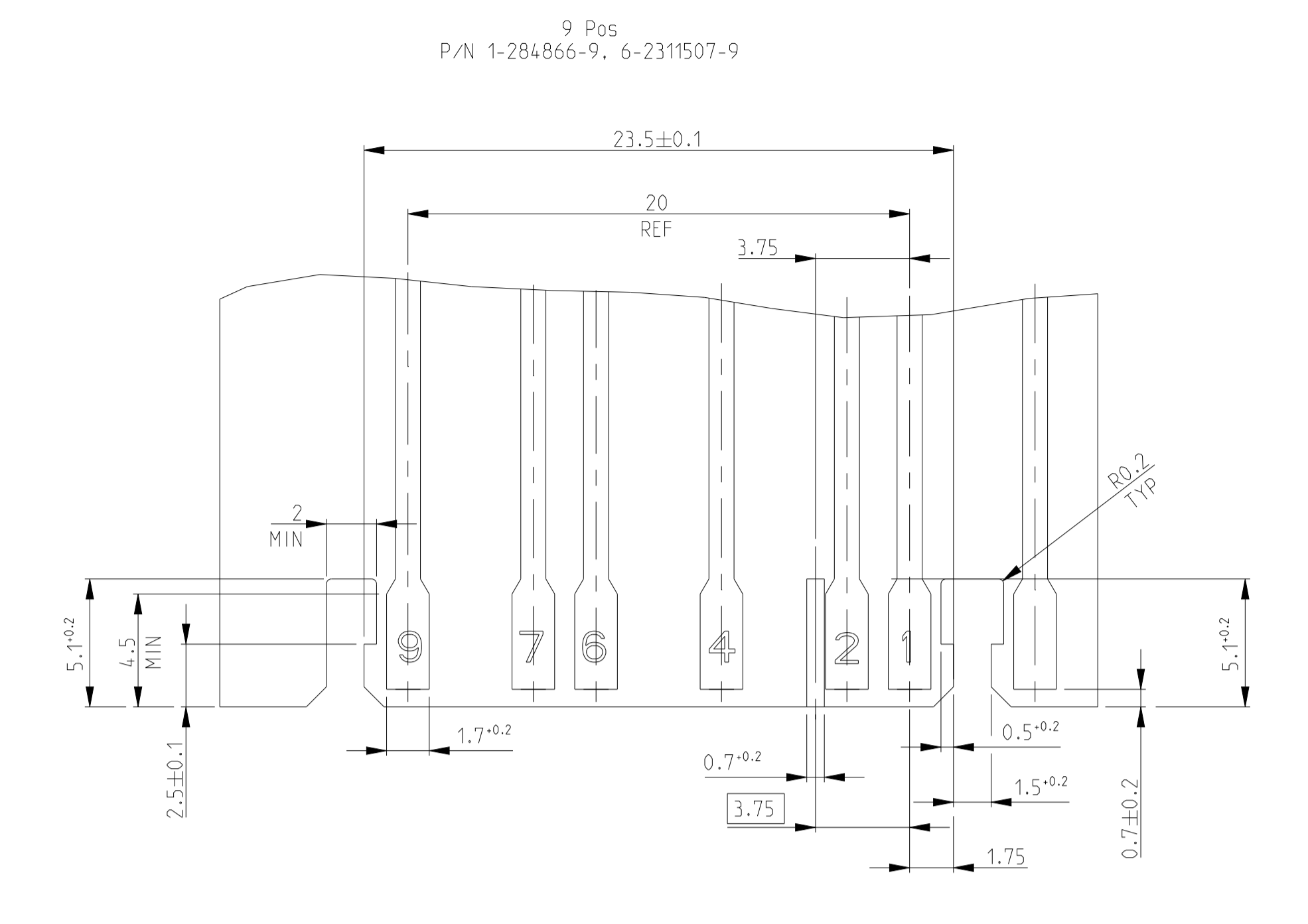
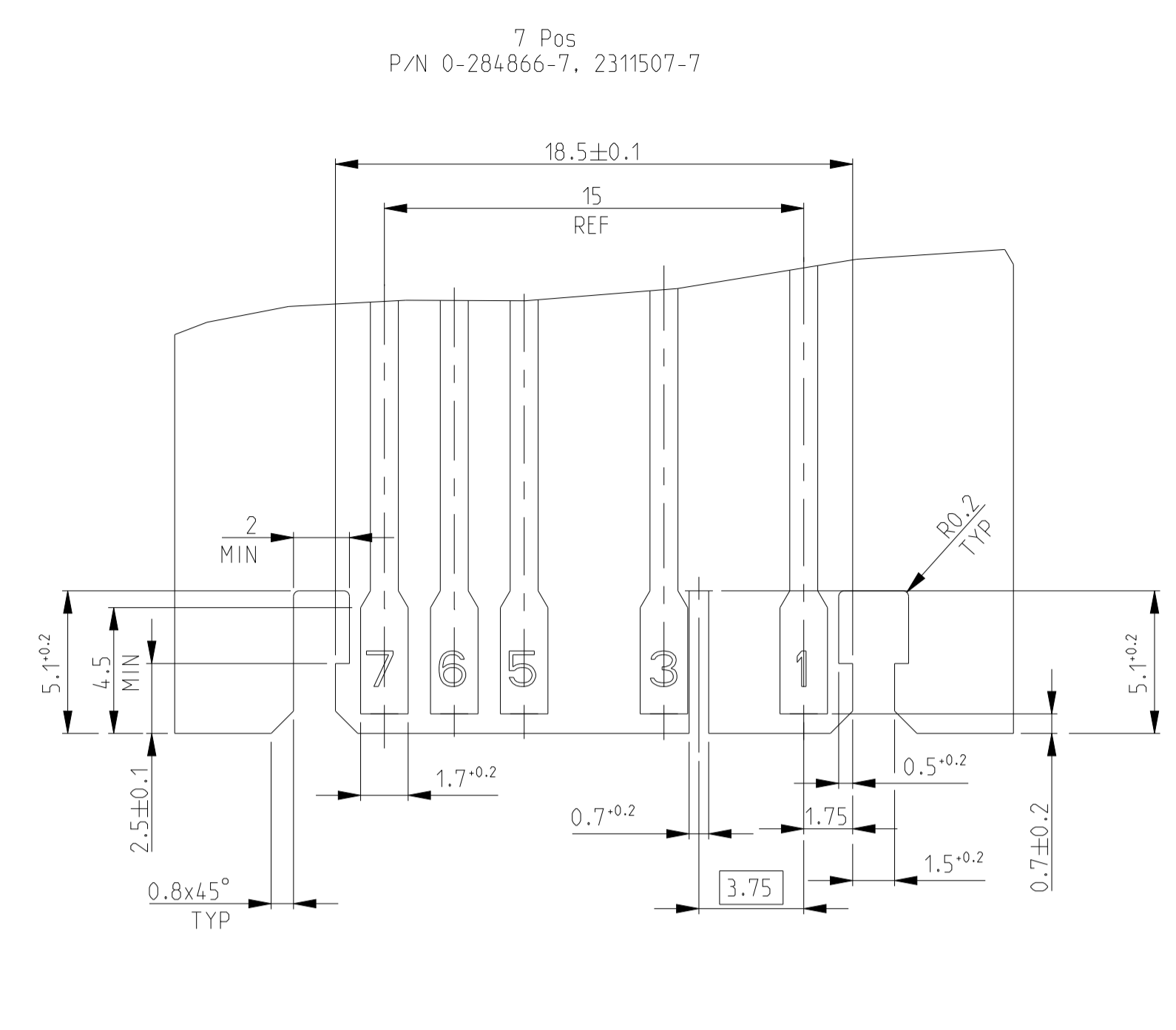


THIS DRAWING IS A CONTROLLED DOCUMENT.		OWN R. FABRIS	03JUL2002
DIMENSIONS: mm		CHK -	
TOLERANCES UNLESS OTHERWISE SPECIFIED:		APVD -	
0 PLC		PRODUCT SPEC	
1 PLC		108-20238	
2 PLC		APPLICATION SPEC	
3 PLC		116-18049-1	
4 PLC		WEIGHT -	
ANGLES		FINISH	
MATERIAL SEE TABLE		CUSTOMER DRAWING	
SEE TABLE		SIZE CAGE CODE DRAWING NO	RESTRICTED TO
		A1 00779	
		SCALE 6:1	SHEET 3 OF 5
		REV C	



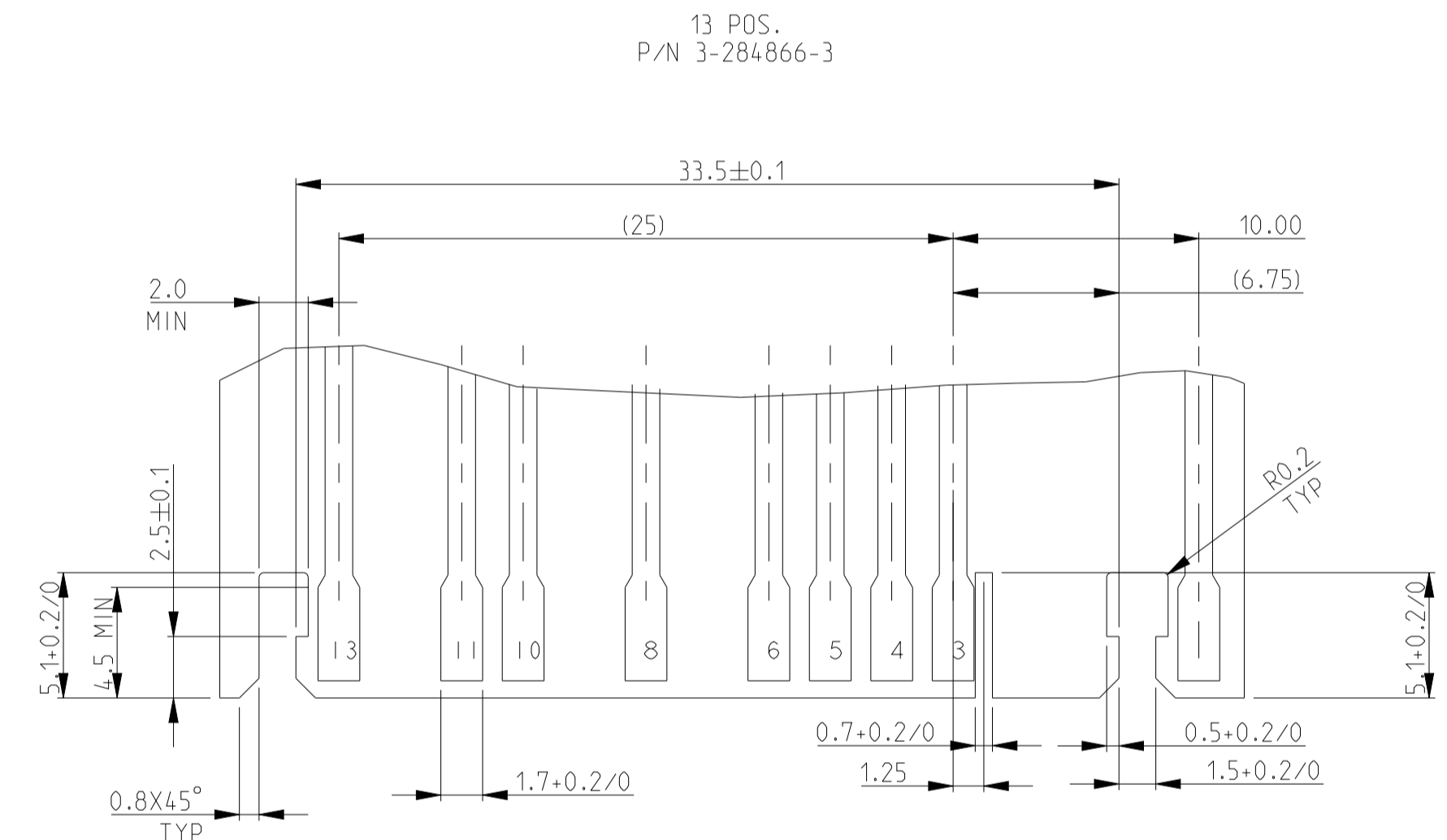
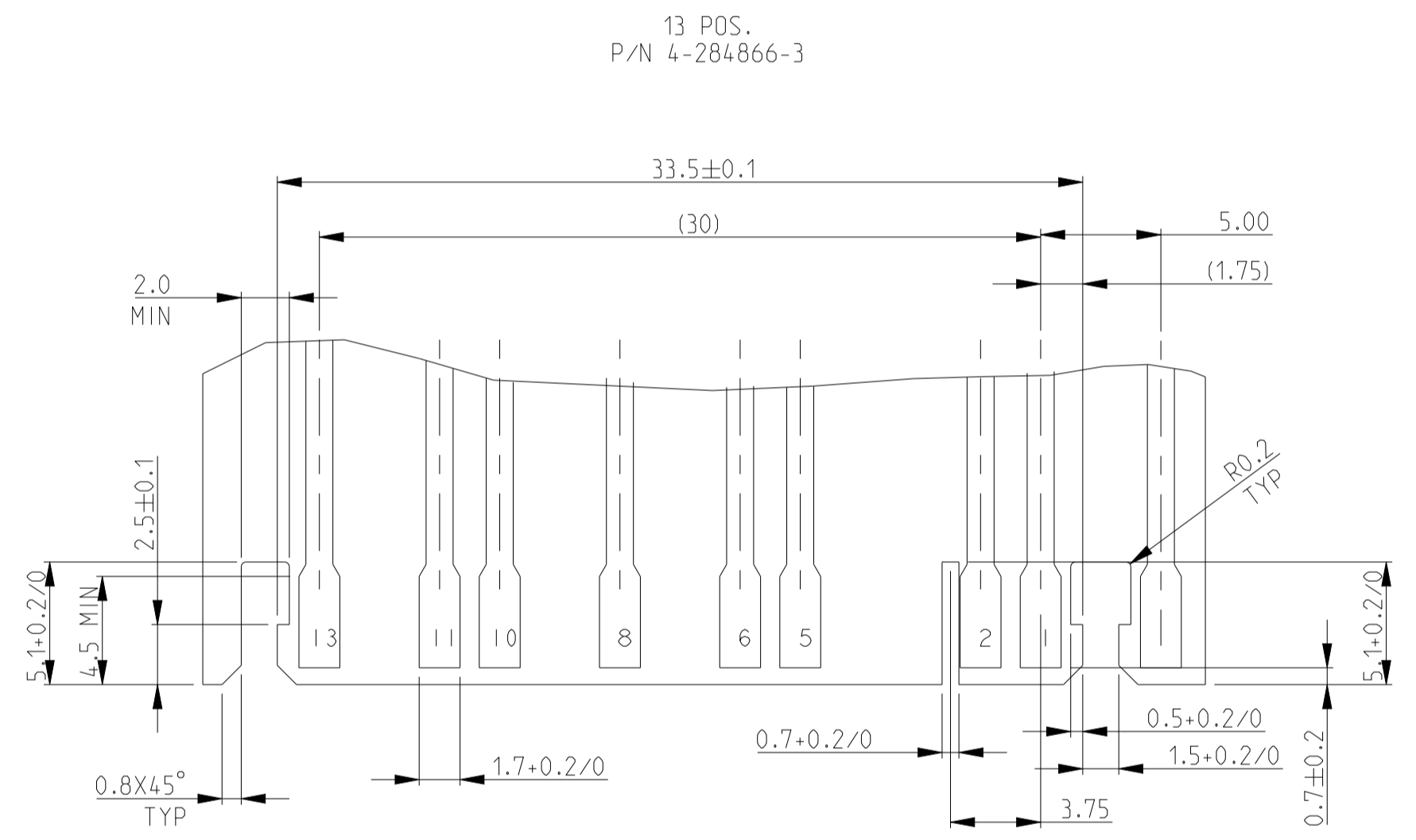
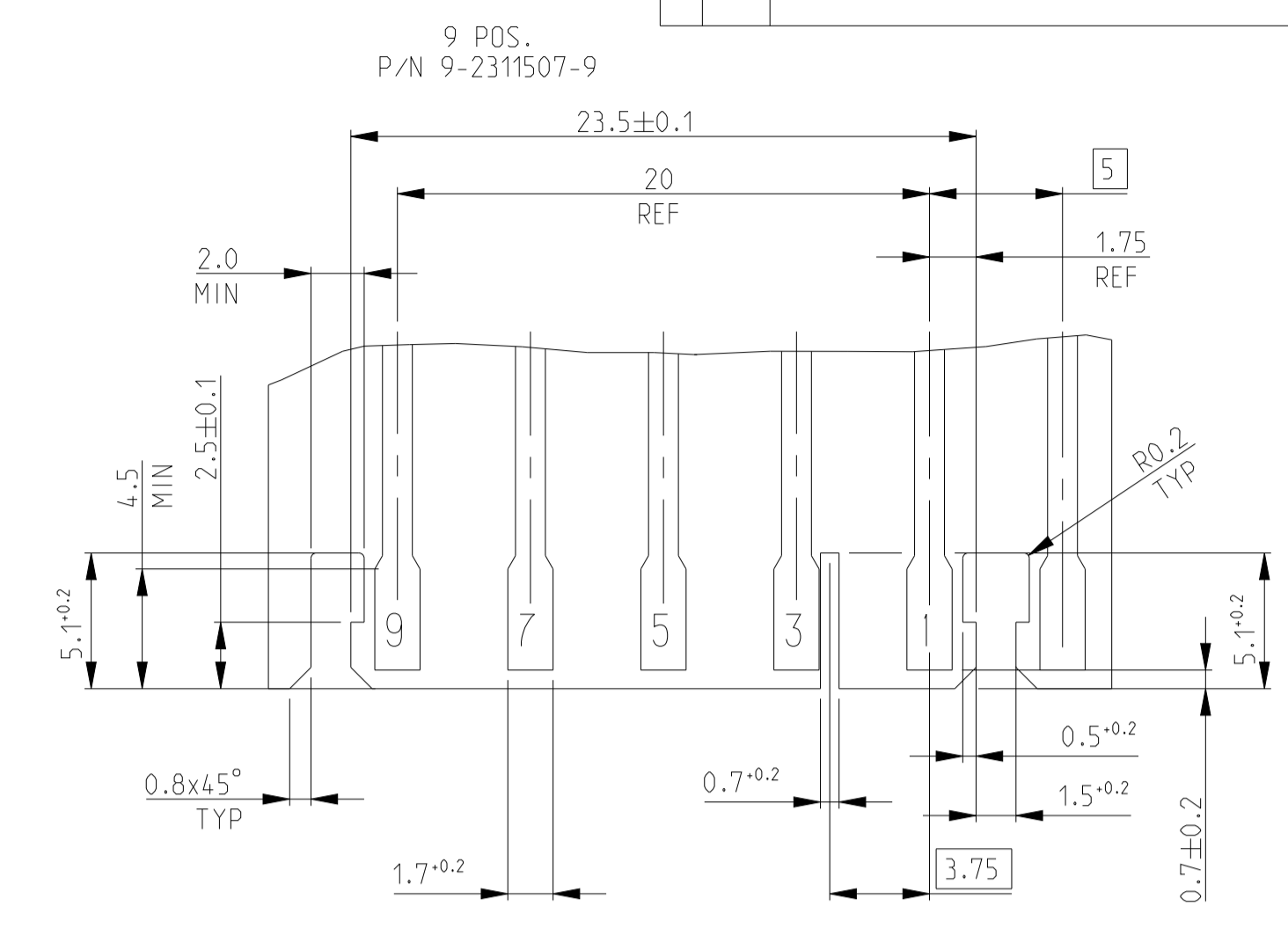
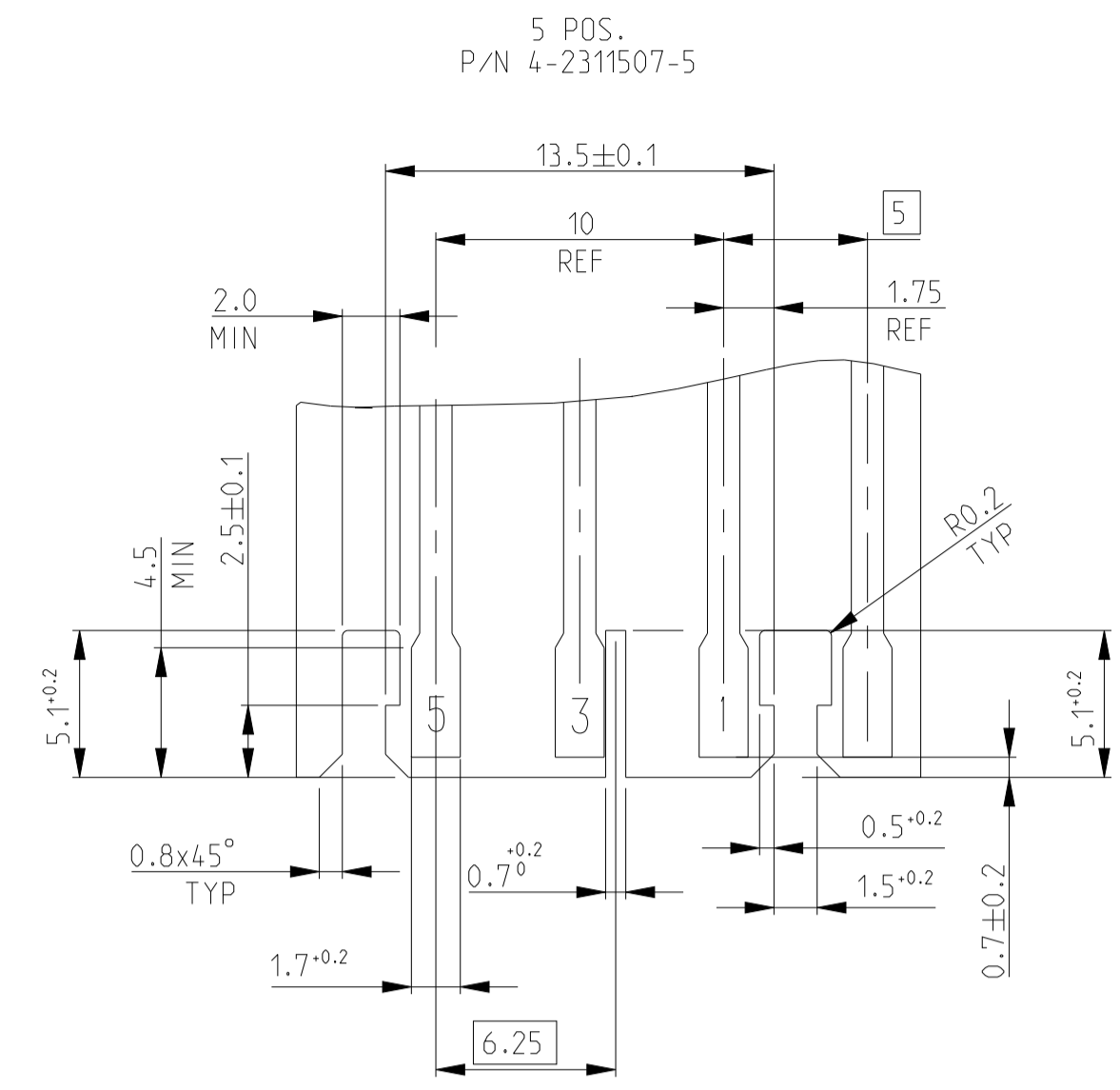
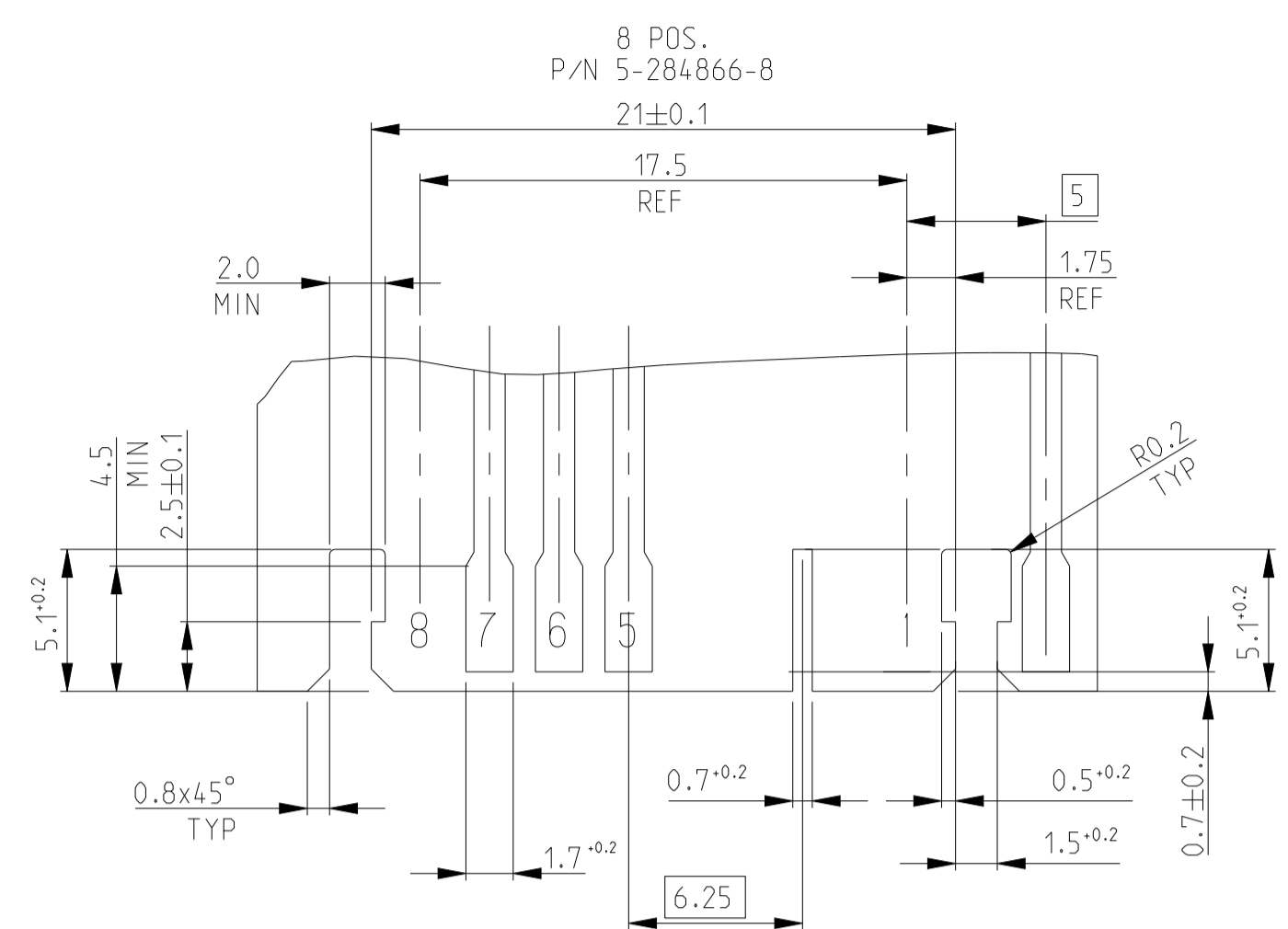
NAME: DUOPLUG 2.5 FEMALE CONN., SIDE LOCKING, KEYED (SELECTIVELY LOADED CONTACTS)

REVISIONS				
P	LTN	DESCRIPTION	DATE	OWN APVD
-	-	SEE SHEET 1	-	-



THIS DRAWING IS A CONTROLLED DOCUMENT.		OWN R. FABRIS 03JUL2002	 TE Connectivity
DIMENSIONS: mm		CHK -	
TOLERANCES UNLESS OTHERWISE SPECIFIED:		APVD -	NAME DUOPLUG 2.5 FEMALE CONN., SIDE LOCKING, KEYED (SELECTIVELY LOADED CONTACTS)
0 PLC # # # 1 PLC # # # 2 PLC # # # 3 PLC # # # 4 PLC # # # ANGLES # # #		PRODUCT SPEC 108-20238 APPLICATION SPEC 116-18049-1 WEIGHT - CUSTOMER DRAWING	
MATERIAL SEE TABLE		FINISH SEE TABLE	SIZE A1 00779 SCALE 10:1 SHEET 4 OF 5 REV C6

REVISIONS				
P	LTN	DESCRIPTION	DATE	APVD
-	-	SEE SHEET 1	-	-



THIS DRAWING IS A CONTROLLED DOCUMENT. DWN R. FABRIS 03JUL2002

STE TE Connectivity

NAME: DUOPLUG 2.5 FEMALE CONN., SIDE LOCKING, KEYED (SELECTIVELY LOADED CONTACTS)

PRODUCT SPEC: 108-20238

APPLICATION SPEC: 116-18049-1

SIZE: A1 CAGE CODE: 00779 DRAWING NO: C=284866

RESTRICTED TO: -

SCALE: 10:1 SHEET: 5 OF 5 REV: C6

MATERIAL: SEE TABLE TOLERANCES UNLESS OTHERWISE SPECIFIED: 0 PLC #, 1 PLC #, 2 PLC #, 3 PLC #, 4 PLC #, ANGLES #, FINISH #

WEIGHT: -

CUSTOMER DRAWING

单击下面可查看定价，库存，交付和生命周期等信息

[>>TE Connectivity\(泰科\)](#)