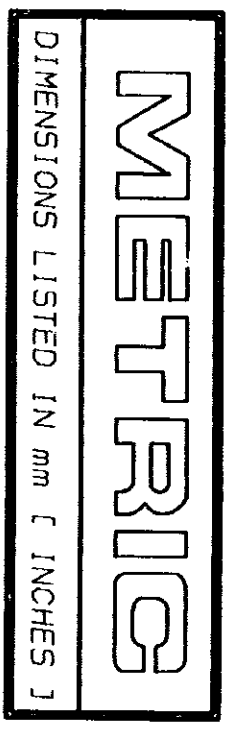
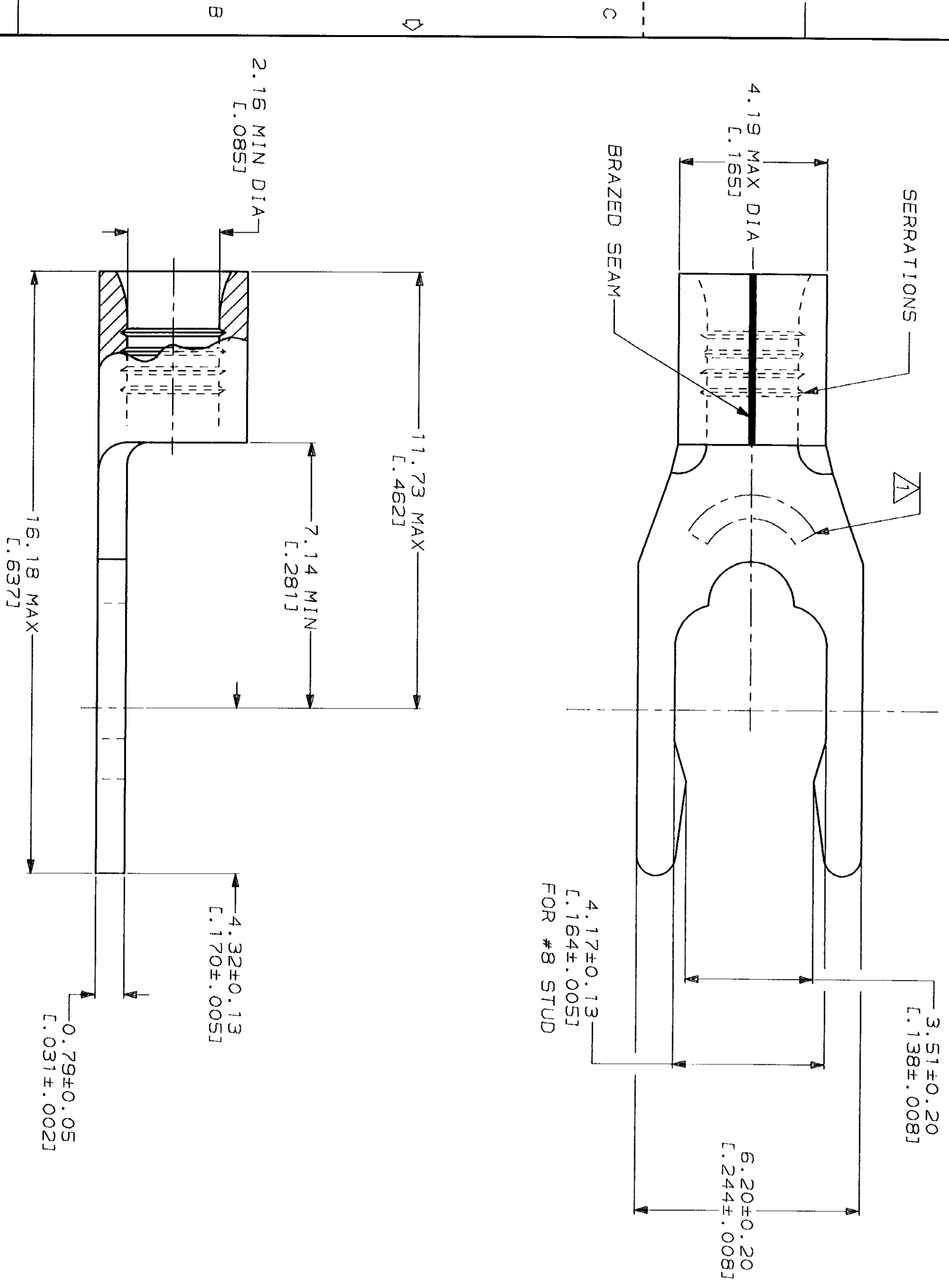


REV. NO.	DATE	APPD	DESCRIPTION
1	3-29-93	18 DAP	REACTIVATED 53833-1 PER 0720-6018-92
2			REVISED & REDRAWN PER 0720-0040-93



AMP WIRE RANGE	UL E13288 Listed
16-14 AWG SOLID OR STRANDED	16-14 AWG SOLID OR STRANDED
LR7189 Certified	MILITARY P/N AND CLASS
16-14 AWG SOLID OR STRANDED	NOT APPLICABLE

STAMP 85 AMP 16-14* APPROX AS SHOWN
85 INDICATES STUD SIZE



**AMP INCORPORATED
CUSTOMER SERVICE SYSTEMS**

FOR ADDITIONAL PRODUCT INFORMATION OR COPIES OF DRAWINGS AND TECHNICAL DOCUMENTS	PRODUCT INFORMATION CENTER 1-800-522-6752
FOR APPLICATION TOOLING INFORMATION	TOOLING ASSISTANCE CENTER 1-800-722-1111
FOR ORDER ENTRY	1-800-526-5142

MAX RECOMMENDED OPERATING TEMPERATURE: 170°C MAX
VOLTAGE RATING: NOT APPLICABLE
WIRE CROSS SECTIONAL AREA RANGE: 1.04-2.62mm² [2,050-5,180] CIR MILS
SOLID OR STRANDED

DO NOT SCALE PRINT. UNLESS SPECIFIED DIMENSIONS IN mm FINISHES-TOLERANCES ON: 1 PLC DEC # - - 2 PLC DEC # - - 3 PLC DEC # - - ANGLES

DR 3-29-93
TA BRINKMAN
CHK 3-29-93
DA PATTERSON
APPD 3-29-93
DE MILLER
APPD 3-29-93
JL MECKLEY
PRODUCT SPEC

5000	ON TAPE	53833-2
---	LOOSE PIECE	53833-1
QUANTITY	PACKAGING TYPE	PART NO
AMP AMP Incorporated Harrisburg, PA 17105-3508		

TERMINAL, SHORT
SPRING SPADE, SOLISTRAND™

SIZE	CAGE CODE	DRAWING NO
SCALE 10:1	00779	53833
SCALE	10:1	SHEET

单击下面可查看定价，库存，交付和生命周期等信息

[>>TE Connectivity\(泰科\)](#)