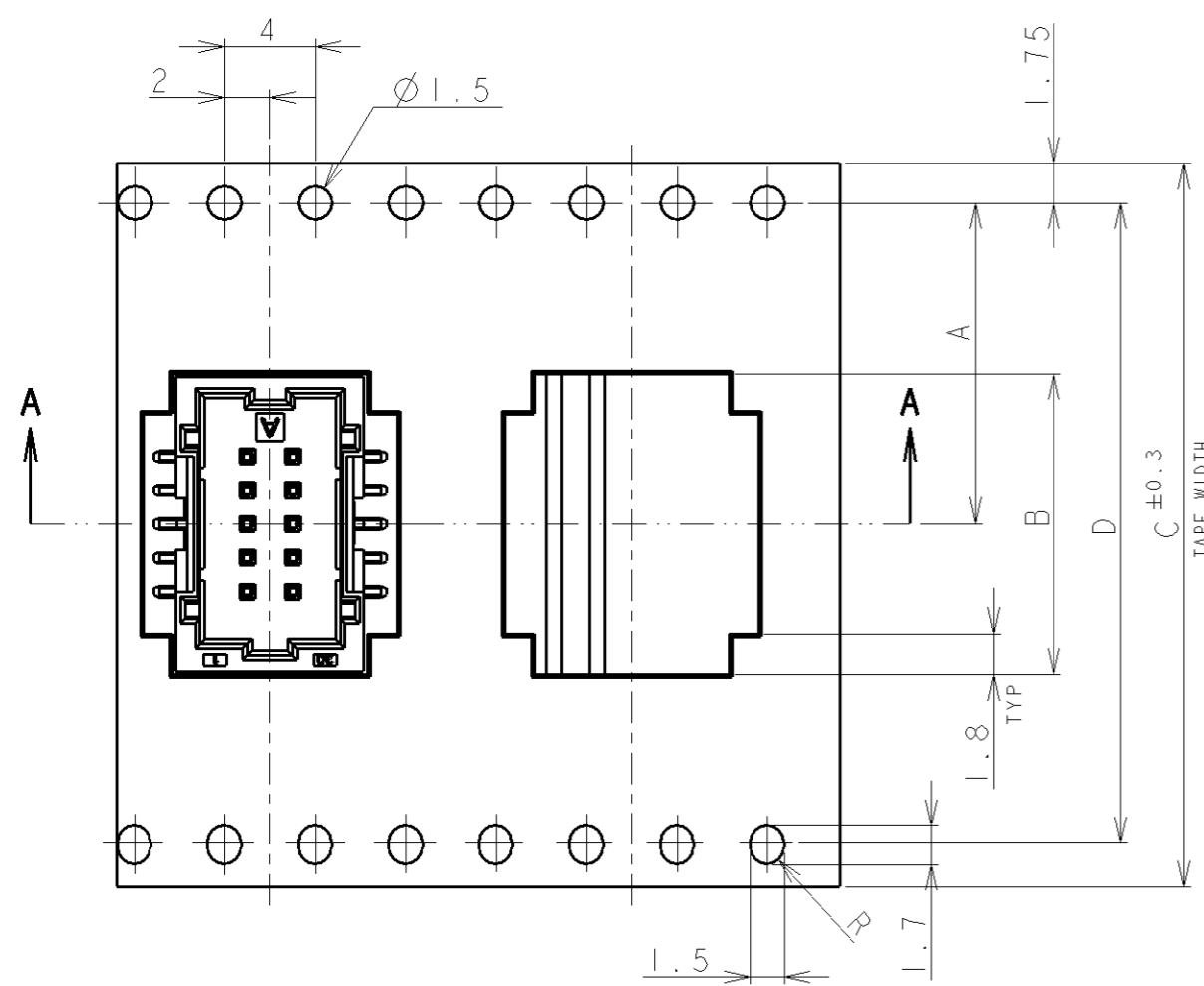
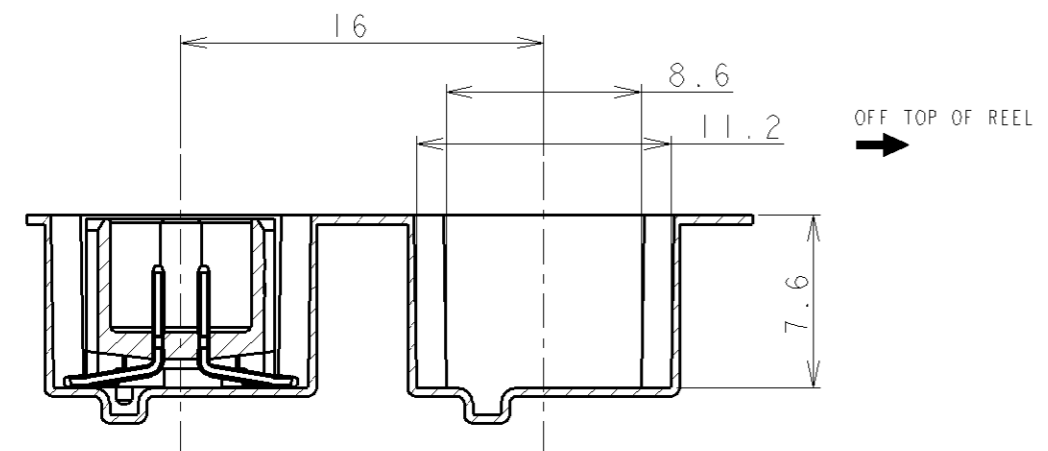
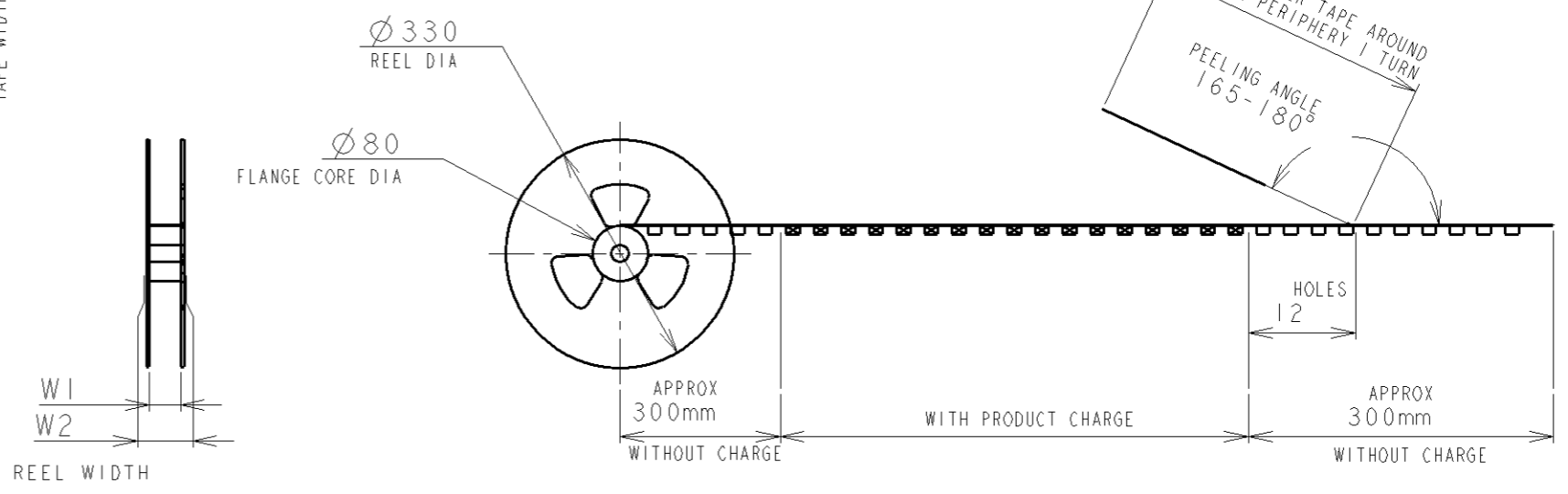
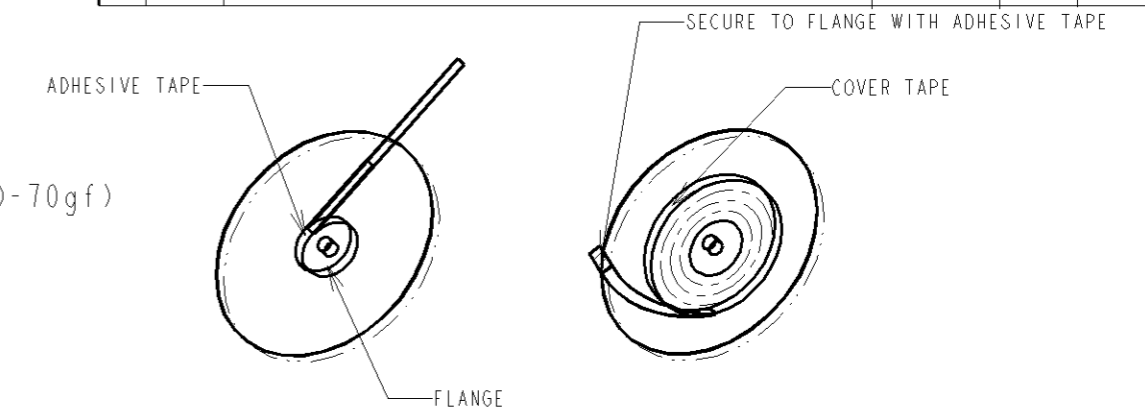


LOC	DIST	REVISIONS			
P	LTR	DESCRIPTION	DATE	DWN	APVD
ES	00	B2	ECR-21-120631	12NOV21	T.Q N.S



NOTE:
 1. PEELING STRENGTH: 0.20-0.69N(20-70gf)
 PEELING ANGLE: 165-180°
 PEELING SPEED: 300mm/MINUTE.



SECT A-A

TOLERANCES UNLESS OTHERWISE SPECIFIED:

10 >	: ±0.2
30 > * > 10	: ±0.25
100 > * > 30	: ±0.3
ANGLE	: ±3°

THIS DRAWING IS A CONTROLLED DOCUMENT FOR AMP INCORPORATED. IT IS SUBJECT TO CHANGE AND THE CONTROLLING ENGINEERING ORGANIZATION SHOULD BE CONTACTED FOR THE LATEST REVISION.		DWN	S. XU	31JAN03	Tyco Electronics Corporation SHANGHAI, CHINA
DIMENSIONS: mm		CHK	S. YAO	31JAN03	
TOLERANCES UNLESS OTHERWISE SPECIFIED:		APVD	T. SASAKI	31JAN03	
0 PLC ±- 1 PLC ±0.1 2 PLC ±0.15 3 PLC ±0.001 4 PLC ±0.0001 ANGLES ±-		PRODUCT SPEC	108-60018		
MATERIAL		APPLICATION SPEC	114-5223		NAME
FINISH		WGT	CUSTOMER DRAWING		AMP Mini Common Terminated (CT) Connector 1.5mm PITCH DOUBLE ROW POST HDR ASS'Y (V) SMT TYPE WITH BOSS, EMBOSS TAPE PACKAGED
		SCALE	NON		SIZE
		SHEET	1 of 4		CAGE CODE
		REV	B2		DRAWING NO
					A3 00779 C-292229


LOC	DIST	REVISIONS					
FB	00	P	LTR	DESCRIPTION	DATE	DWN	APVD

62.4	56.4	52.4	56	35.8	26.2	400	40	BLACK	9-292229-0
50.4	44.4	40.4	44	34.3	20.2	400	38		8-292229-8
50.4	44.4	40.4	44	32.8	20.2	400	36		8-292229-6
50.4	44.4	40.4	44	31.3	20.2	400	34		8-292229-4
50.4	44.4	40.4	44	29.8	20.2	400	32		8-292229-2
50.4	44.4	40.4	44	28.3	20.2	400	30		8-292229-0
50.4	44.4	40.4	44	26.8	20.2	400	28		7-292229-8
50.4	44.4	40.4	44	25.3	20.2	400	26		7-292229-6
50.4	44.4	40.4	44	23.8	20.2	400	24		7-292229-4
50.4	44.4	40.4	44	22.3	20.2	400	22		7-292229-2
W2	W1	D	C	B	A	QTY/REEL	POS		COLOR
DIMENSIONS									

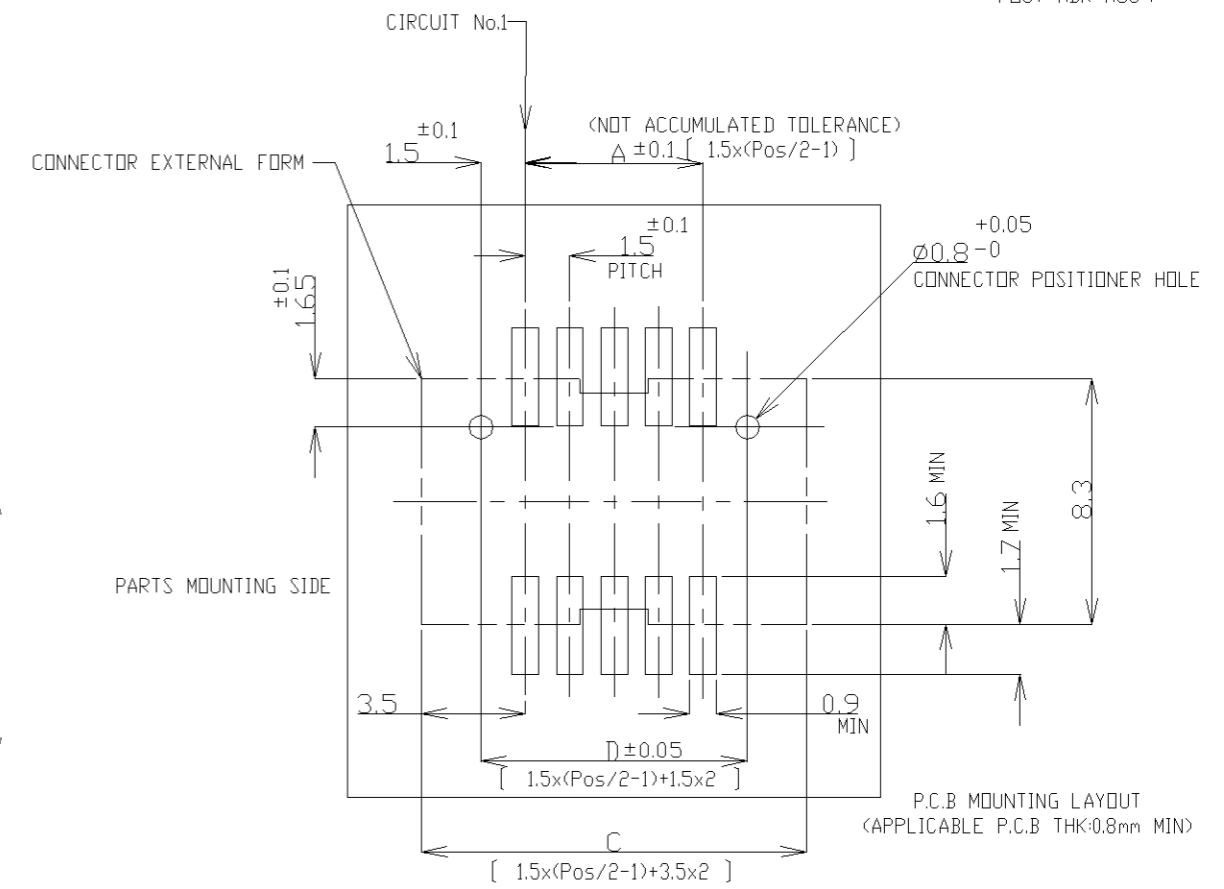
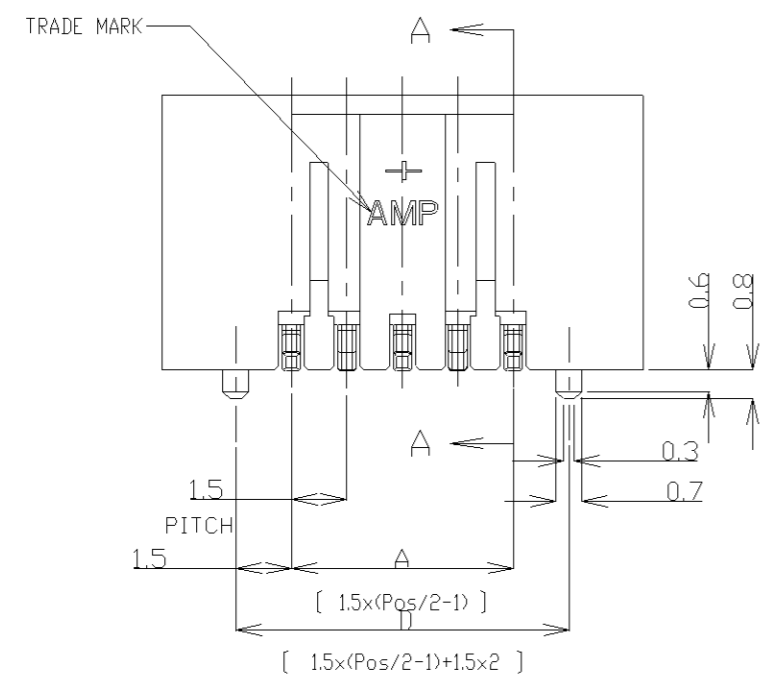
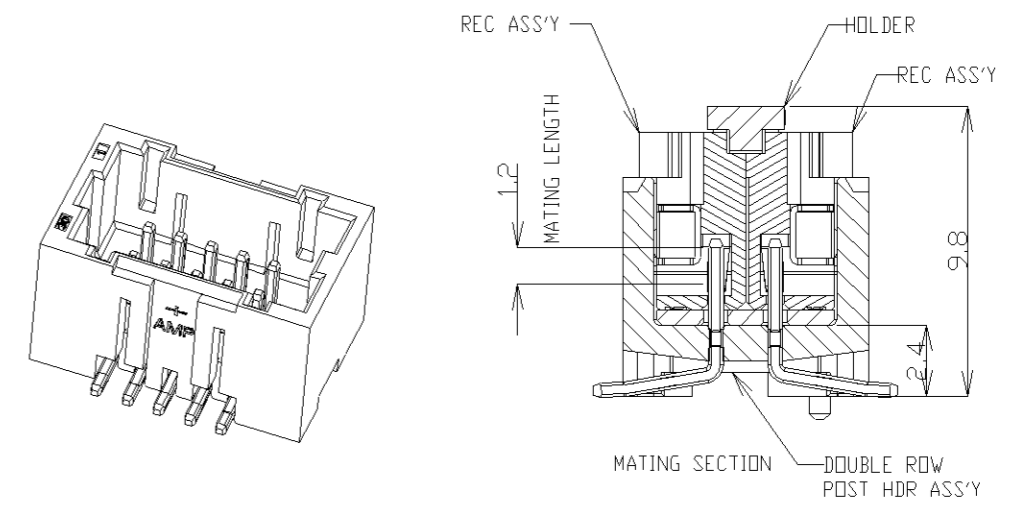
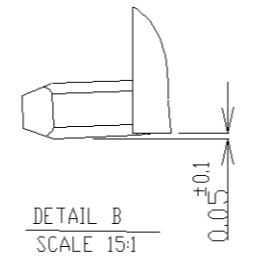
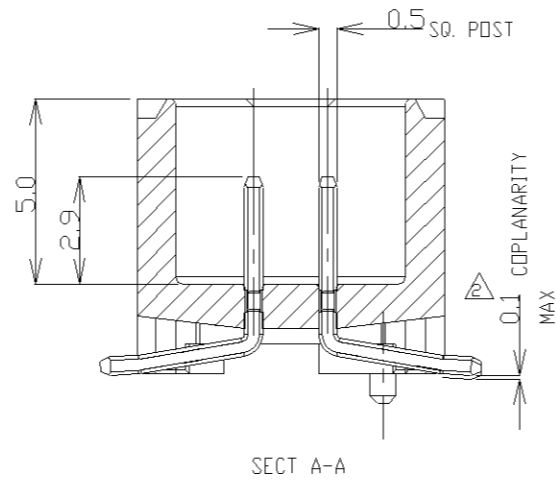
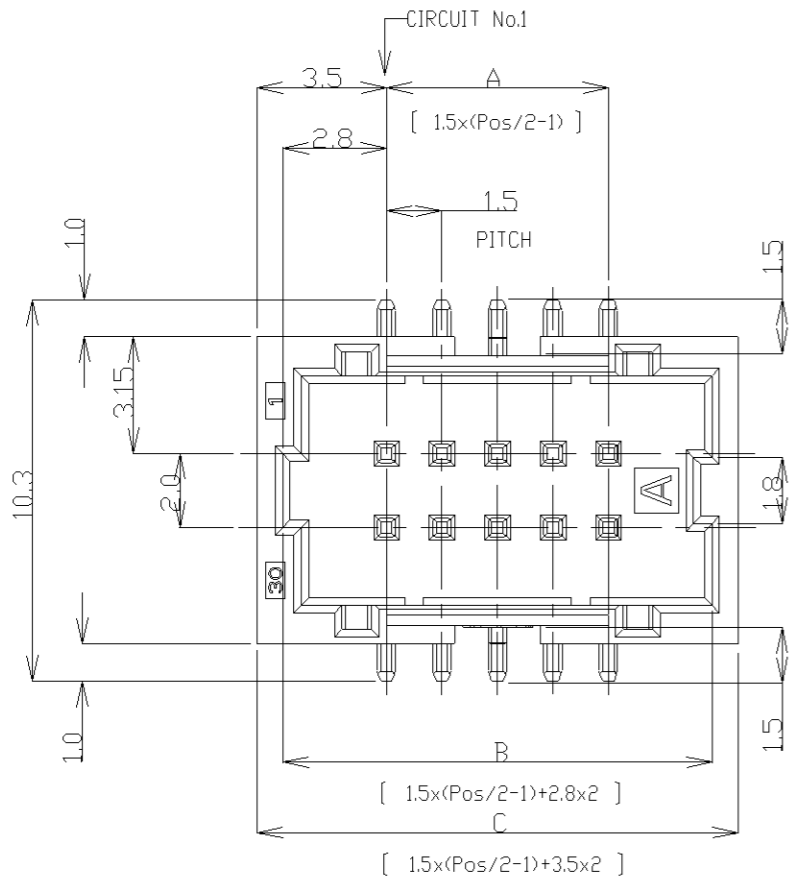
62.4	56.4	52.4	56	35.8	26.2	400	40	BEIGE	4-292229-0
50.4	44.4	40.4	44	34.3	20.2	400	38		3-292229-8
50.4	44.4	40.4	44	32.8	20.2	400	36		3-292229-6
50.4	44.4	40.4	44	31.3	20.2	400	34		3-292229-4
50.4	44.4	40.4	44	29.8	20.2	400	32		3-292229-2
50.4	44.4	40.4	44	28.3	20.2	400	30		3-292229-0
50.4	44.4	40.4	44	26.8	20.2	400	28		2-292229-8
50.4	44.4	40.4	44	25.3	20.2	400	26		2-292229-6
50.4	44.4	40.4	44	23.8	20.2	400	24		2-292229-4
50.4	44.4	40.4	44	22.3	20.2	400	22		2-292229-2
W2	W1	D	C	B	A	QTY/REEL	POS		COLOR
DIMENSIONS									

THIS DRAWING IS UNPUBLISHED.

COPYRIGHT © BY TYCO ELECTRONICS CORPORATION. ALL RIGHTS RESERVED.

DIMENSIONS: mm	DWN	WIRE RANGE		INSULATION DIA	
	CHK	MATERIAL		FINISH	
TOLERANCES UNLESS OTHERWISE SPECIFIED:	APVD	 Tyco Electronics Corporation SHANGHAI, CHINA			
0 PLC ±-	PRODUCT SPEC	NAME AMP Mini Common Terminated (CT) Connector 1.5mm PITCH			
1 PLC ±0.1	SEE SHEET 1 OF 4	DOUBLE ROW POST HDR ASS'Y (V)			
2 PLC ±0.15	APPLICATION SPEC	SMT TYPE WITH BOSS, EMBOSS TAPE PACKAGED			
3 PLC ±0.001	SEE SHEET 1 OF 4	SIZE	CAGE CODE	DRAWING NO	RESTRICTED TO
4 PLC ±0.0001	WEIGHT	A4	00779	C-292229	-
ANGLES ±-	CUSTOMER DRAWING	Downloaded From Oneyac.com		SCALE NON	SHEET 2 OF 4 REV B2

LOC	DIST	REVISIONS			
P	LTR	DESCRIPTION	DATE	DWN	APVD
ES	00				



NOTES:
 1. MATERIAL:
 HOUSING-HIGH HEAT RESISTANT, GLASS FILLED NYLON, UL94V-0, COLOR-BEIGE, BLACK
 POST:Sn-100% BRASS WIRE
 TO BE MEASURED WITH CONNECTOR PLACED ON HORIZONTAL DATUM SURFACE,
 FLOAT OF SOLDER TINE FROM DATUM SURFACE IS 0.1mm MAX.

TOLERANCES UNLESS OTHERWISE SPECIFIED:

10 >	±0.2
30 > 10	±0.25
100 > 30	±0.3
ANGLE	±3°

THIS DRAWING IS A CONTROLLED DOCUMENT.

DIMENSIONS:	TOLERANCES UNLESS OTHERWISE SPECIFIED:
mm	
	0 PLC ±
	1 PLC ±
	2 PLC ±
	3 PLC ±
	4 PLC ±
	ANGLES ±
MATERIAL	FINISH
SEE NOTE 1	SEE NOTE 1

DWN	---	Tyco Electronics Corporation Shanghai, P.R. China, 200233	
CHK	---		
APVD	---		
PRODUCT SPEC	---		
APPLICATION SPEC	---		
NAME		AMP Mini Common Terminated (CT) Connector 1.5mm PITCH DBL ROW POST HDR ASS'Y (V) SMT TYPE WITH BOSS	
SIZE	CAGE CODE	DRAWING NO	RESTRICTED TO
A3	00779	C=292229	---
CUSTOMER DRAWING		SCALE	SHEET
		NON	3 of 4
			REV
			B2

LOC	DIST	REVISIONS						
		P	LTR	DESCRIPTION	DATE	DWN	APVD	
—	—		—	—		—	—	—

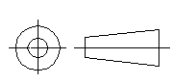
31.5	35.5	34.1	28.5	40	9-292229-0	4-292229-0
30.0	34.0	22.6	27.0	38	8-292229-8	3-292229-8
28.5	32.5	31.1	25.5	36	8-292229-6	3-292229-6
27.0	31.0	29.6	24.0	34	8-292229-4	3-292229-4
25.5	29.5	28.1	22.5	32	8-292229-2	3-292229-2
24.0	28.0	26.6	21.0	30	8-292229-0	3-292229-0
22.5	26.5	25.1	19.5	28	7-292229-8	2-292229-8
21.0	25.0	23.6	18.0	26	7-292229-6	2-292229-6
19.5	23.5	22.1	16.5	24	7-292229-4	2-292229-4
18.0	22.0	20.6	15.0	22	7-292229-2	2-292229-2
D	C	B	A	Pos.	BLACK	BEIGE
DIMENSIONS					P/N	

THIS DRAWING IS UNPUBLISHED.

ALL INTERNATIONAL RIGHTS RESERVED.

© COPYRIGHT BY TYCO ELECTRONICS CORPORATION.

THIS DRAWING IS UNPUBLISHED.

DIMENSIONS: mm TOLERANCES UNLESS OTHERWISE SPECIFIED: 0 PLC ± - 1 PLC ± - 2 PLC ± - 3 PLC ± - 4 PLC ± - ANGLES ± -	DWN	—	MATERIAL	—	FINISH	—
	CHK	—	 Tyco Electronics Corporation Shanghai, P.R. China, 200233			
	APVD	—	NAME AMP Mini Common Terminated (CT) Conn. 1.5mm PITCH DBL ROW POST HDR ASS'Y (V) SMT TYPE W BOSS			
	PRODUCT SPEC	—	SIZE	CAGE CODE	DRAWING NO	RESTRICTED TO
	APPLICATION SPEC	—	A4	00779	C-292229	—
	WEIGHT	—	CUSTOMER DRAWING			
			SCALE	NON	SHEET	4 of 4
			REV B2			

单击下面可查看定价，库存，交付和生命周期等信息

[>>TE Connectivity\(泰科\)](#)