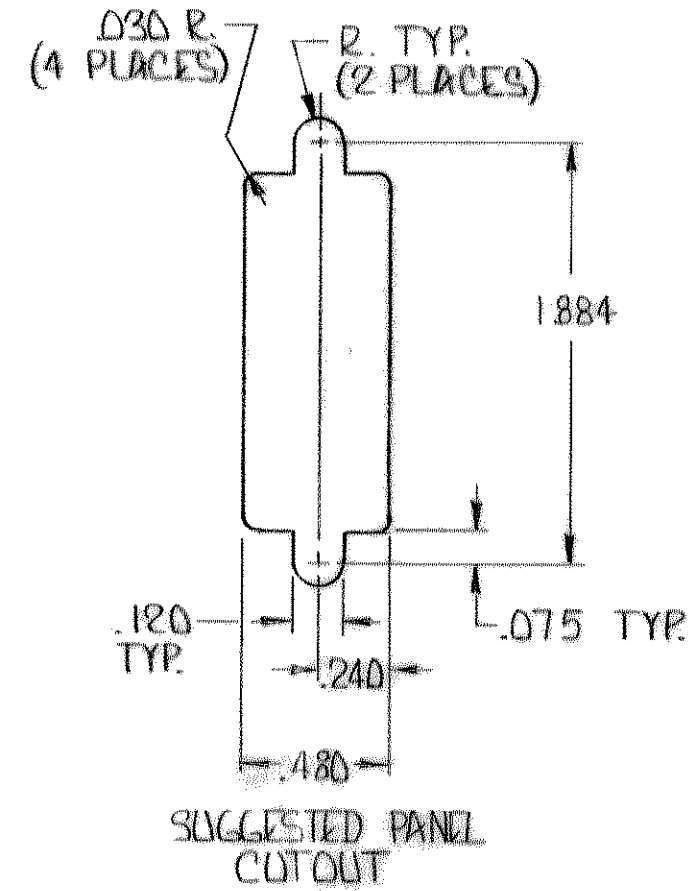
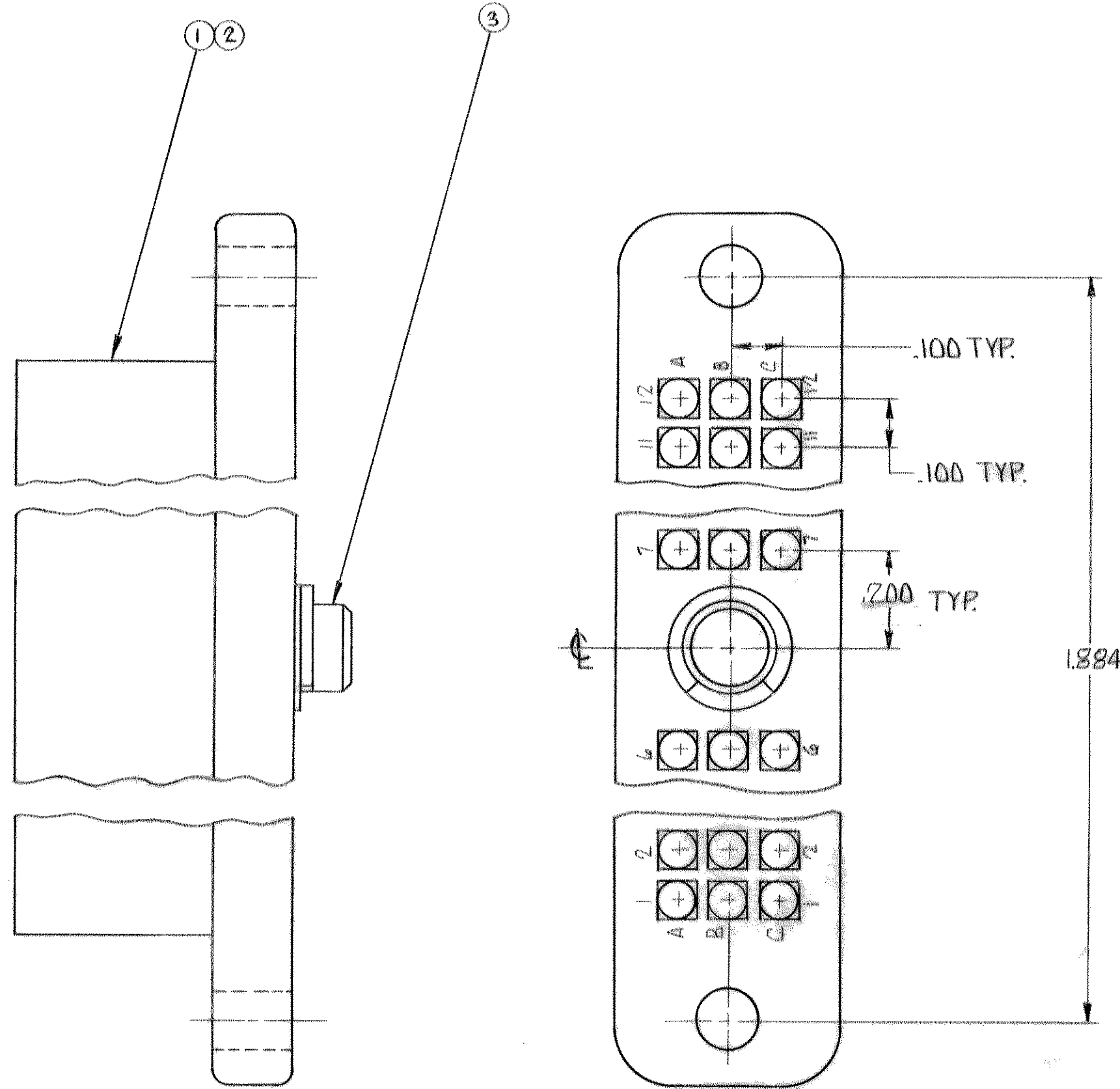


© 1947 BY AMP INCORPORATED. ALL RIGHTS RESERVED. AMP PRODUCTS COVERED BY PATENTS AND/OR PATENTS PENDING.

REVISIONS				
ZONE	LTR	DESCRIPTION	DATE	APPROVED
A	REV	PER 063D-276-01	CT 8-02 CT	



QTY	DR	CHK	APPD	REL	DSGN APPD	OTHER APPD	REQUIRED PER ASSY.	SIZE	NUMBER	NAME	REMARKS	ITEM NO.
1	A						204292-1	JACKSCREW ASSY.		FIXED, FEMALE		3
1	C						204281-6	BLOCK		DIALYL PHTHALATE, BLUE		2
1	C						204281-6	BLOCK		PHENOLIC, BLACK		1
2	-1											

UNLESS OTHERWISE SPECIFIED DIMENSIONS ARE IN INCHES TOLERANCES ON : DECIMALS ± .005 ANGLES ± #	CONTRACT NO.		AMP AMP INCORPORATED HARRISBURG, PENNSYLVANIA		
	DR	A. Sayler 10-16-69			
	CHK	D. Miller 11-6-69	NAME	36 POSITION "HDR" PLUG ASSEMBLY WITH FIXED FEMALE JACKSCREW	
	APPD	K. Jones 11-7-69	SIZE	C	
	REL	R. Jones 11-7-69	CODE IDENT NO.	00779	
MATERIAL		NUMBER	204731	SHEET	1 OF 1
		OTHER APPD		SCALE	

CUSTOMER DRAWING

PRINT DIST

NUMBER 204731

单击下面可查看定价，库存，交付和生命周期等信息

[>>TE Connectivity\(泰科\)](#)