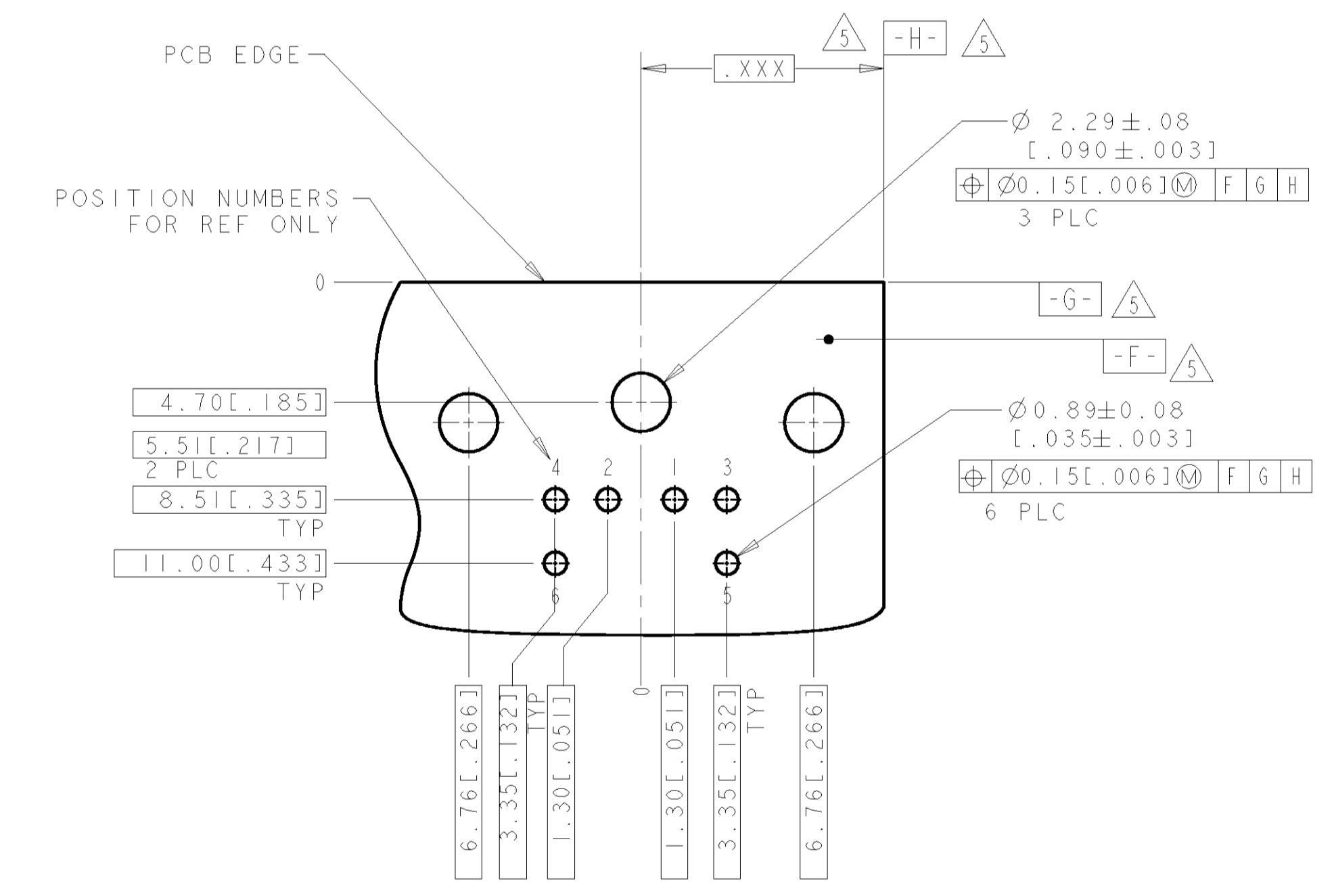
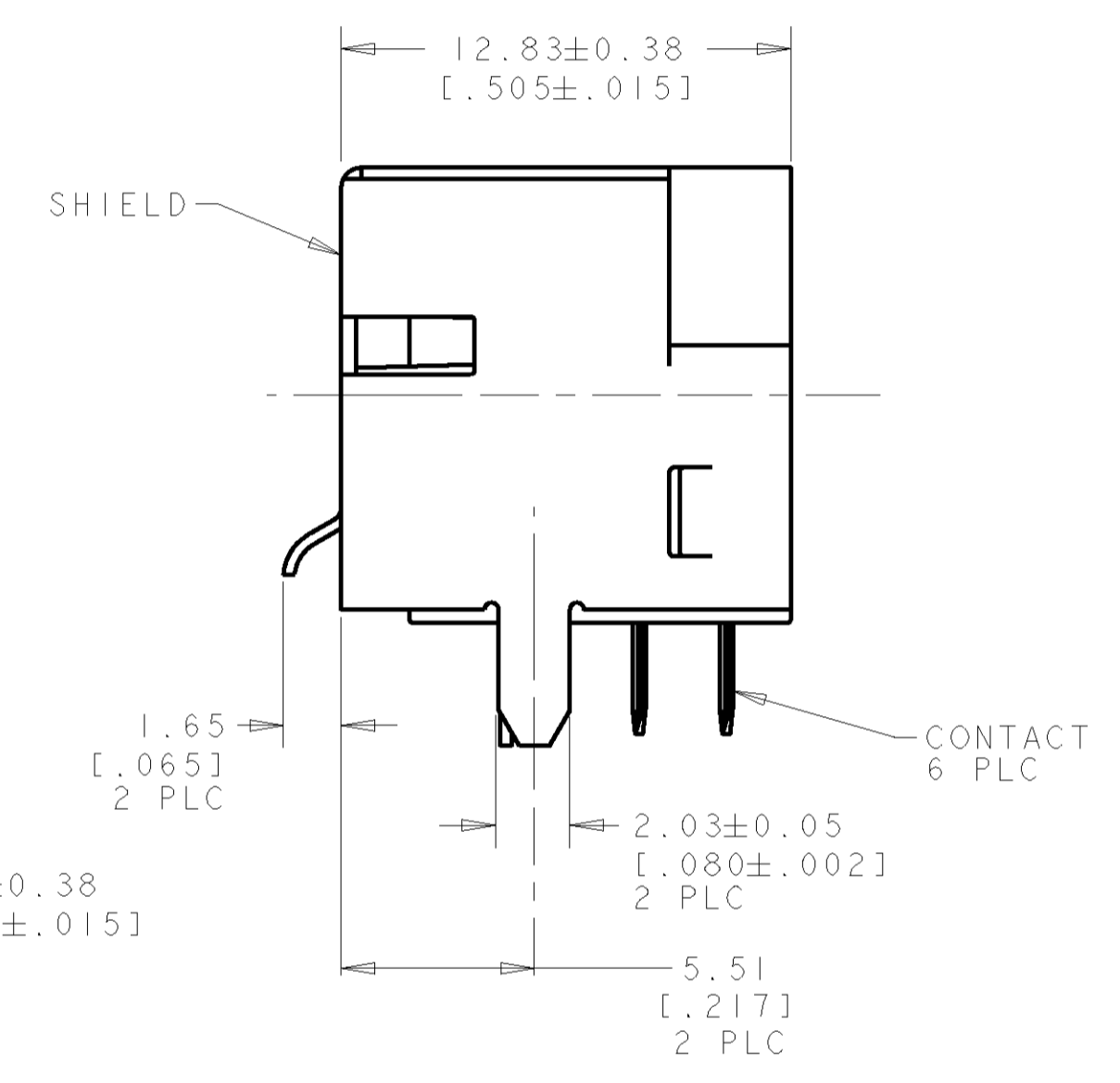
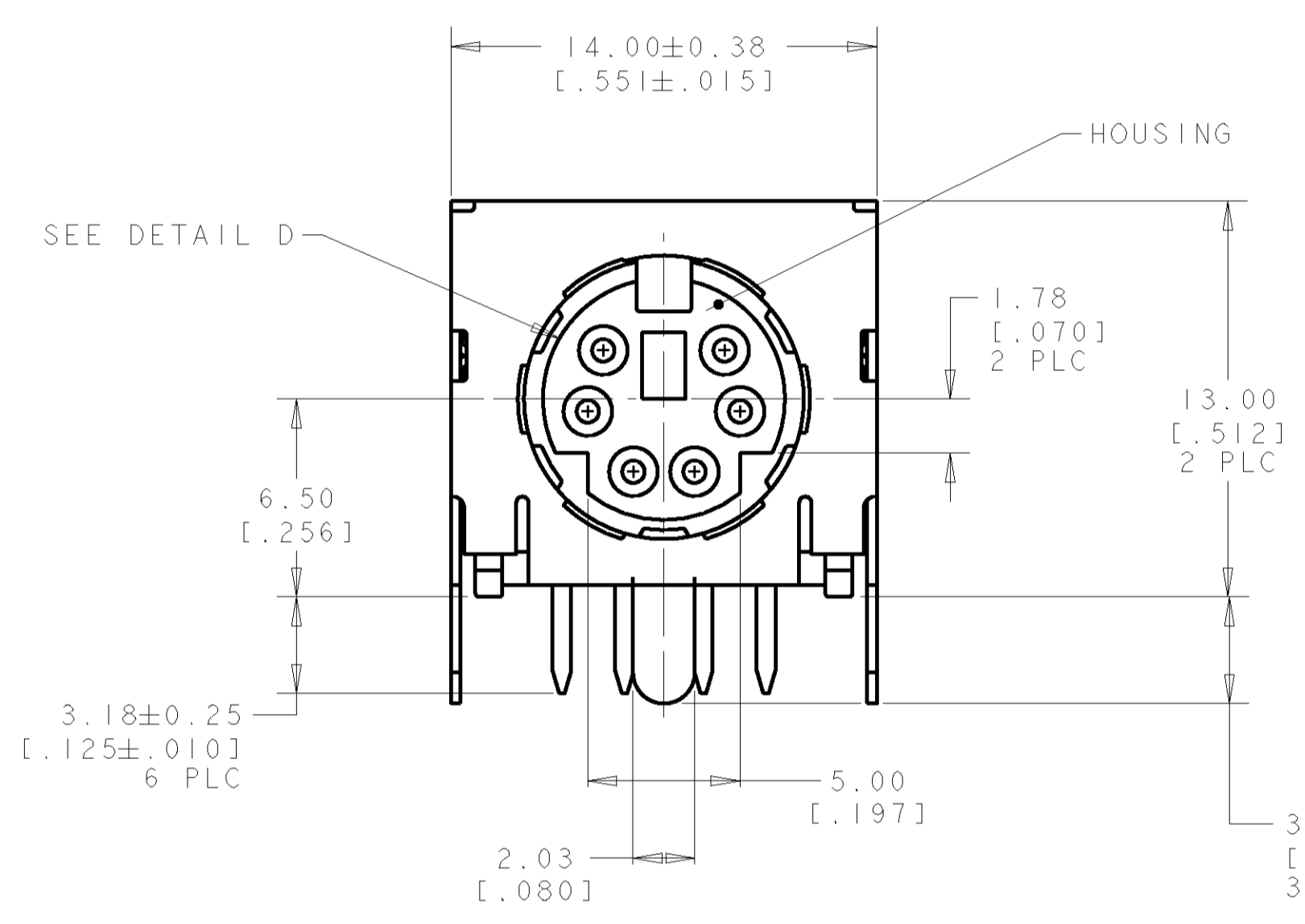
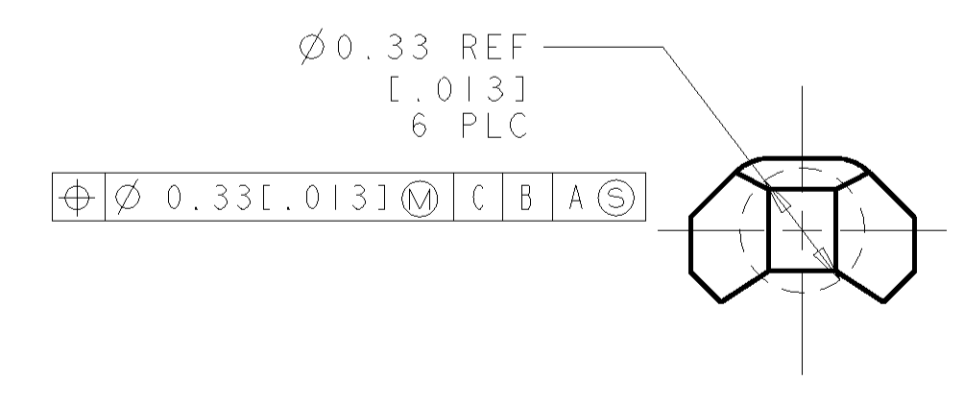
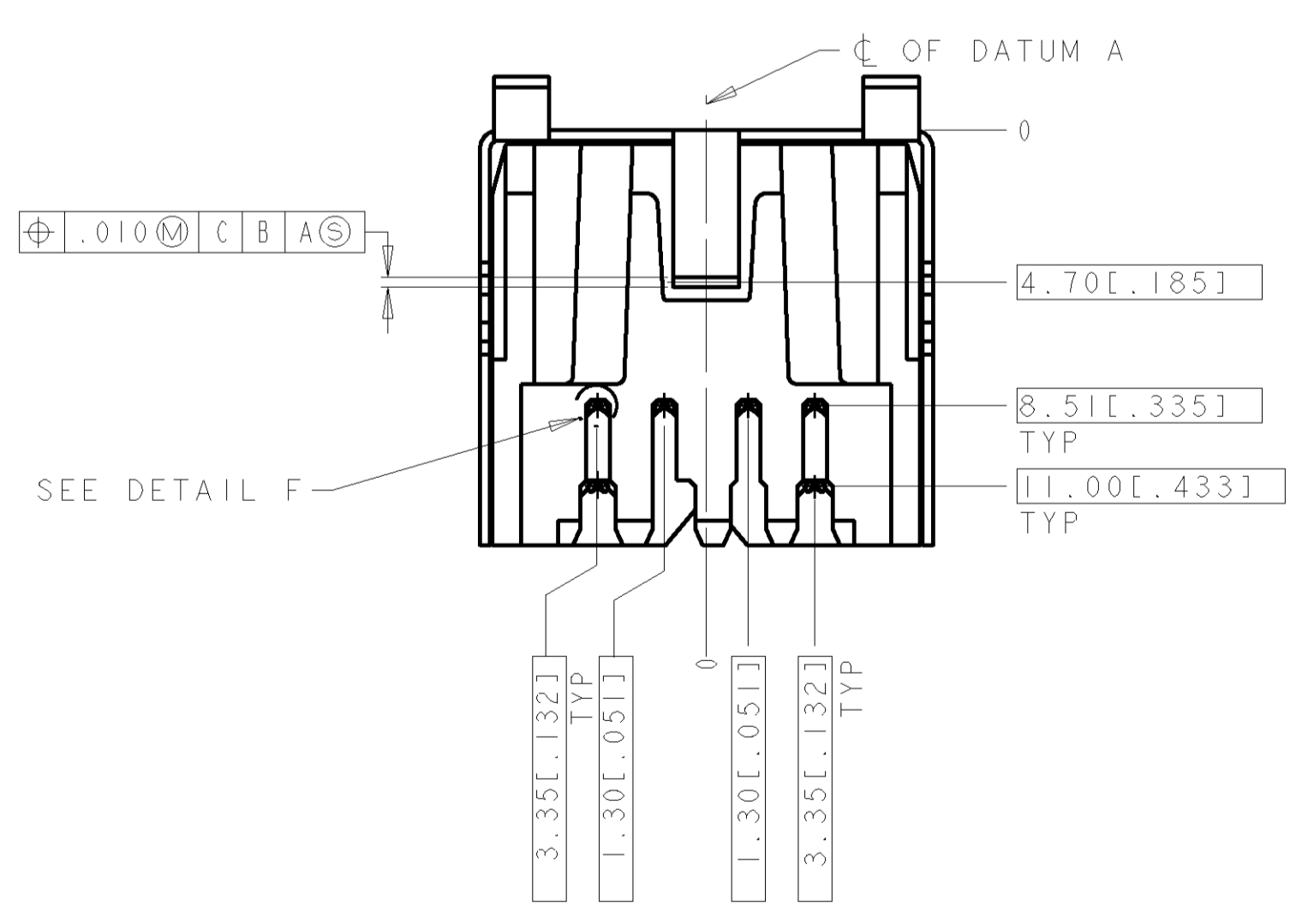


- 1 SHIELD & CONTACTS: COPPER ALLOY. HOUSING: POLYESTER, UL 94V-0 RATED, BLACK.
- 2 0.76 μm [.000030] MIN GOLD FOR A LENGTH OF 1.27 [.050] MIN FROM MATING END, 3.05 μm [.000120] MIN MATTE-TIN ON OPPOSITE END, BOTH OVER 1.27 μm [.000050] MIN NICKEL.
- 3 1.50-4.00 μm [.000059-.000158] THICK BRIGHT TIN.
- 4 GOLD PLATING PER MIL-G-45204, TIN PLATING PER MIL-T-10727, NICKEL PLATING PER QQ-N-290.
- 5 DATUMS AND BASIC DIMENSION SUPPLIED BY CUSTOMER.



RECOMMENDED PC BOARD LAYOUT
BOTTOM VIEW



P/N: 5750071-1 AS SHOWN

DIMENSIONS: mm [INCHES]		TOLERANCES UNLESS OTHERWISE SPECIFIED:		DWN: WYLEE 05JAN2005		TE Connectivity		
Ø	±	PLC	±	CHK: SF LEONG	NAME: RECEPTACLE ASSY. FRONT PANEL		108-1225 APPLICATION SPEC	
PLC	±	PLC	±	APRD: SF LEONG	GROUNDING, 6 POS, RIGHT ANGLE, MINIATURE CIRCULAR DIN			
PLC	±	PLC	±	APRD: SF LEONG	SIZE: A1		CAGE CODE: 00779 DRAWING NO: 5750071	
PLC	±	PLC	±	APRD: SF LEONG	SCALE: 5:1			
PLC	±	PLC	±	APRD: SF LEONG	SHEET: 1 OF 1		REV: P	
MATERIAL: 1				FINISH: 2, 3, 4				CUSTOMER DRAWING

单击下面可查看定价，库存，交付和生命周期等信息

[>>TE Connectivity\(泰科\)](#)