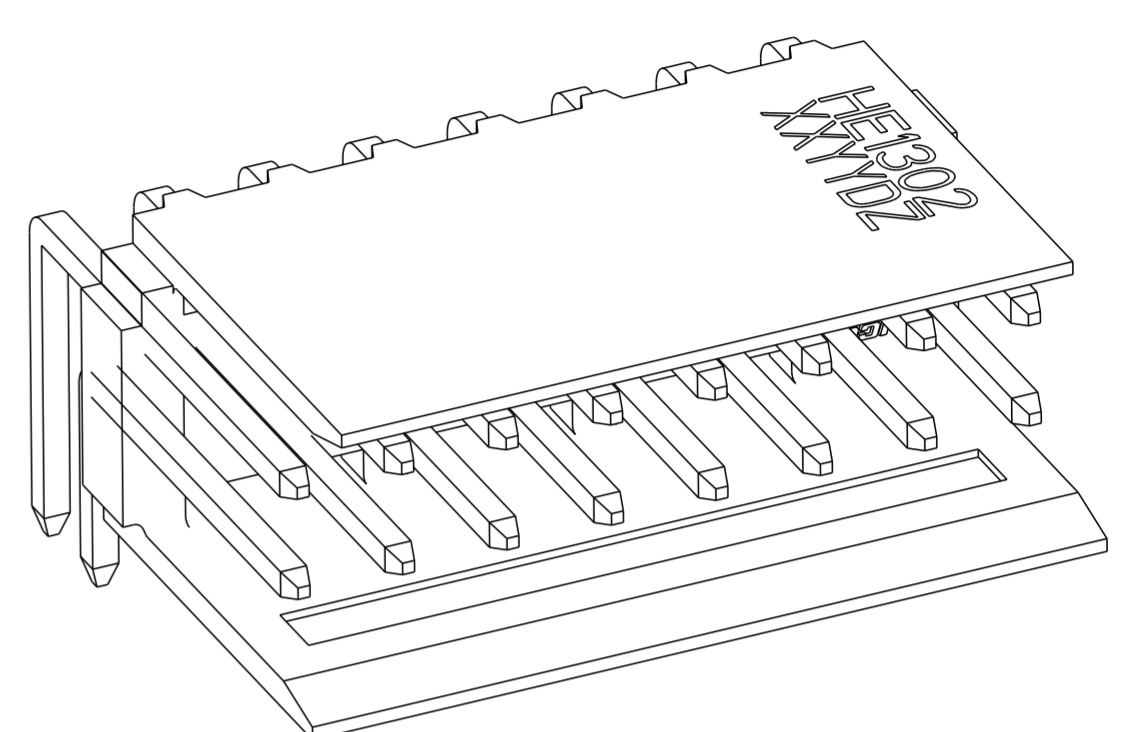
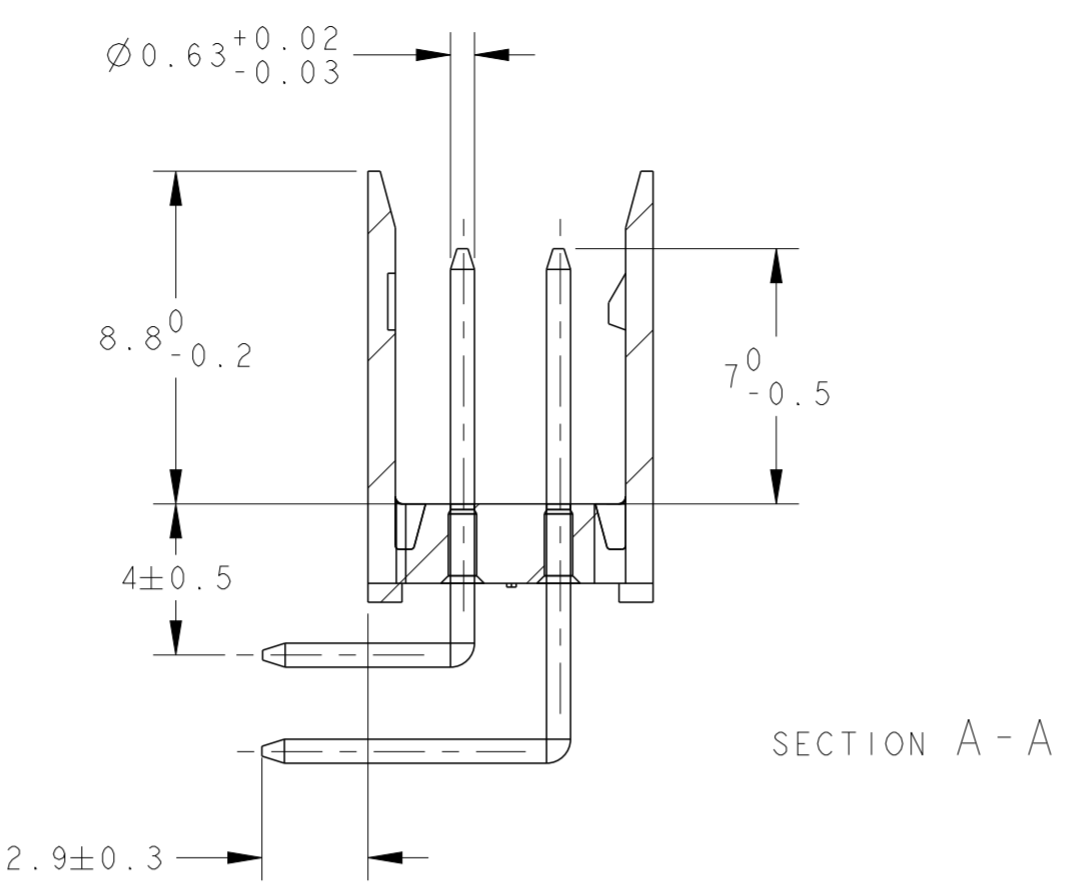
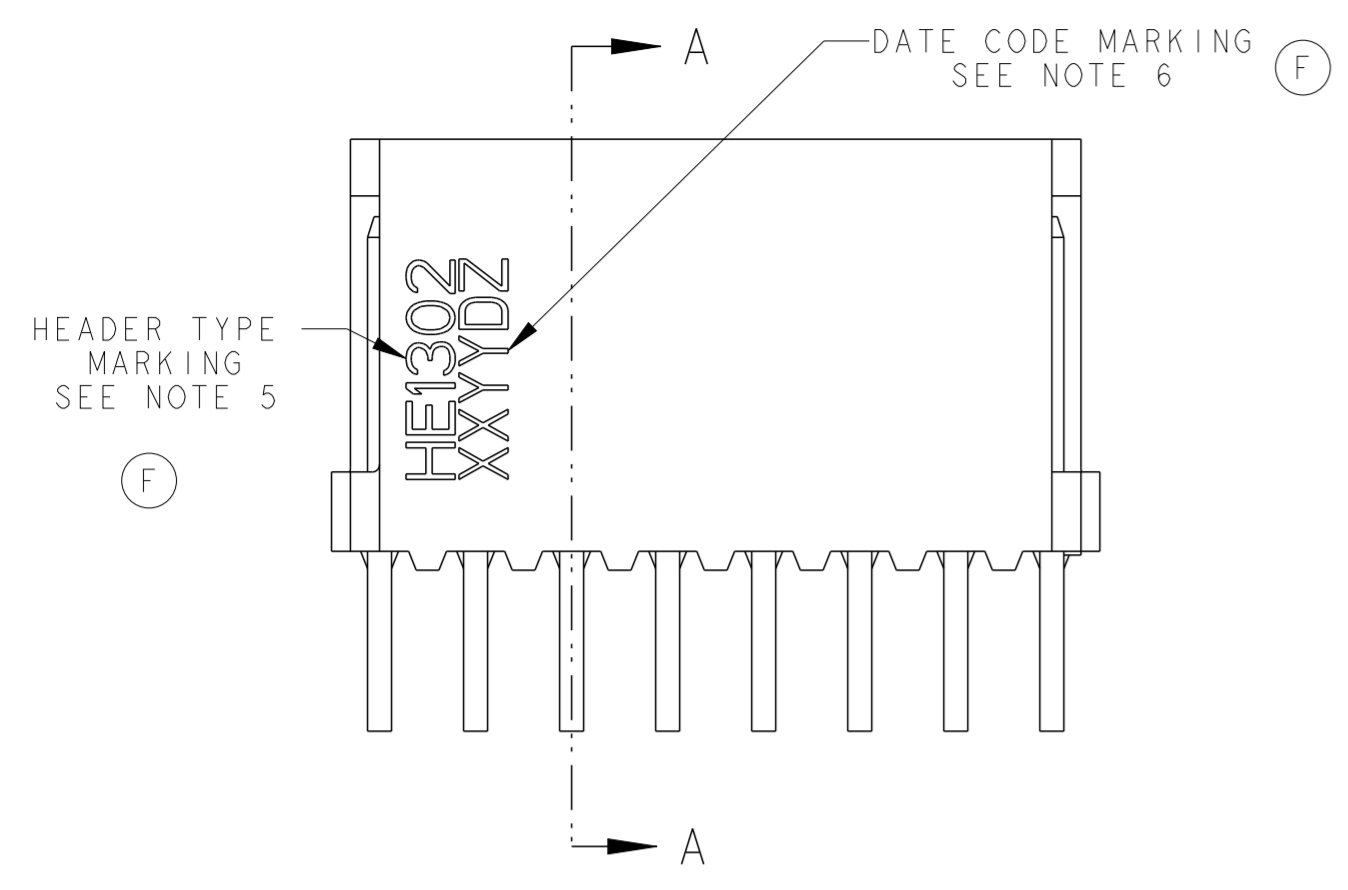
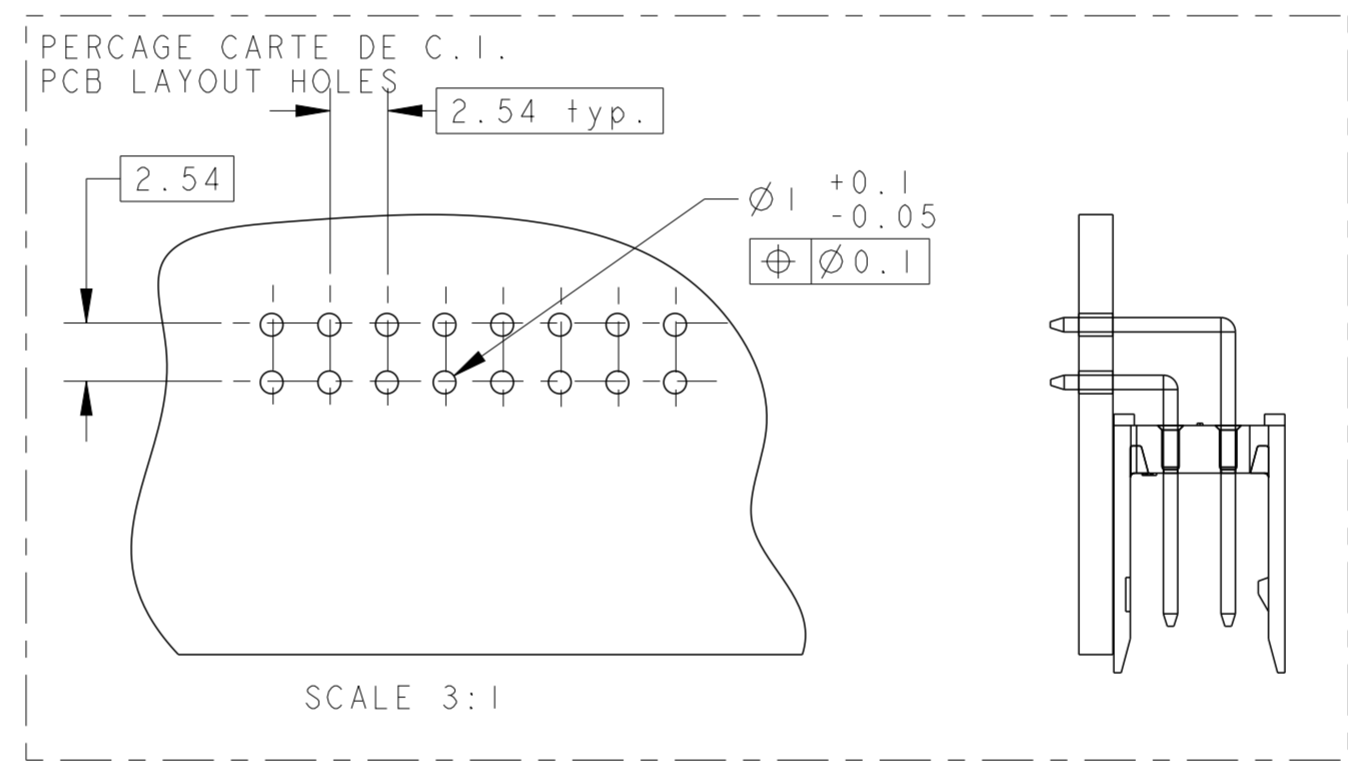
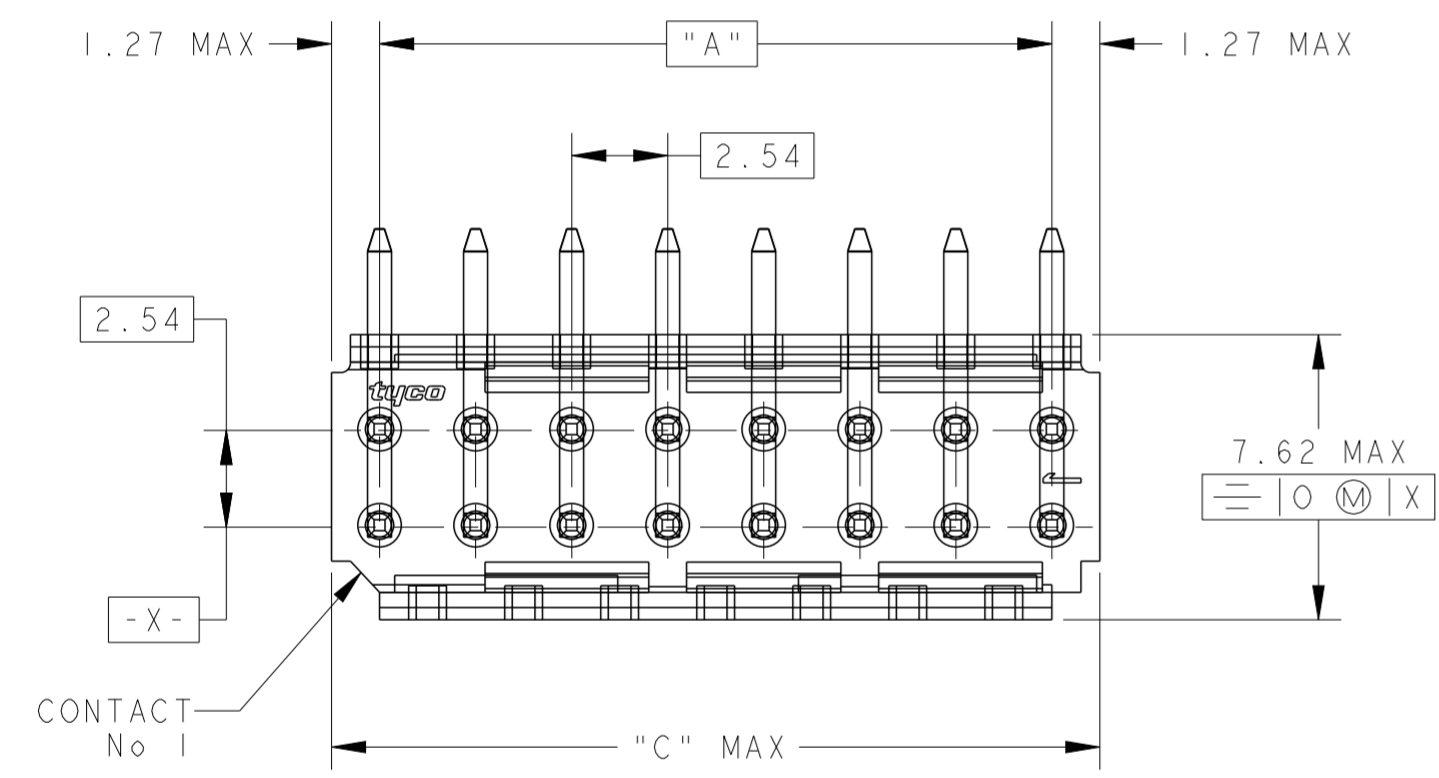


THIS DRAWING IS UNPUBLISHED. DIFFUSION RESTREINTE
 RELEASED FOR PUBLICATION LIBRE A LA DIFFUSION
 ALL RIGHTS RESERVED. TOUS DROITS RESERVES

REVISIONS					
P	LTR	DESCRIPTION MODIFICATIONS	DATE	DWN DESS.	APVD APP.
	F1	DRAWING NOTES CORRECTED	01AUG2016	KJK	PS



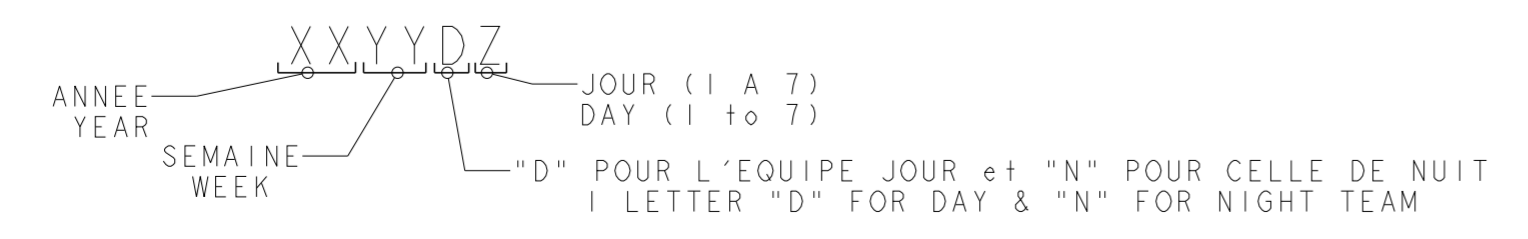
SCALE 6:1



SCALE 3:1

OBSOLETE	50.80	48.26	2x 20	2-281743-0
	45.72	43.18	2x 18	1-281743-8 *
OBSOLETE	43.18	40.64	2x 17	1-281743-7
	38.10	35.56	2x 15	1-281743-5 *
OBSOLETE	33.02	30.48	2x 13	1-281743-3
	30.48	27.94	2x 12	1-281743-2 *
	25.40	22.86	2x 10	1-281743-0 *
	20.32	17.78	2x 8	0-281743-8 *
	15.24	12.70	2x 6	0-281743-6 *
	12.70	10.16	2x 5	0-281743-5 *
	10.16	7.62	2x 4	0-281743-4 *
	7.62	5.08	2x 3	0-281743-3 *
	5.08	2.54	2x 2	0-281743-2
	C	A	Nb DE POS	PART NUMBER
	DIMENSIONS			

- NOTES:
- THESE HEADERS ARE DESIGNED TO BE MATED WITH "HEI302" RECEPTACLES DOUBLE ROW
 - THE PART NUMBERS FOLLOWED BY * ARE COVERED BY THE INTERNATIONAL STANDARD IEC 603-8
 - CONTACTS PLATING: MATING AREA SELECTIVE GOLD MIN 0.4µm OVER MIN 1.27µm NICKEL
SOLDER AREA MIN 2.5µm TIN OVER MIN 1.27µm NICKEL
 - PLASTIC MATERIAL: HIGH TEMPERATURE THERMOPLASTIC, UL-94V0, BLUE COLOR
CONTACT MATERIAL: PHOSPHOR BRONZE
 - HEADER TYPE MARKING (HEI302) WITH BLACK INK
 - DATE CODE MARKING WITH BLACK INK



OBSOLETE PARTS: OBSOLETE CIS STREAMLINING PER D.RENAUD/D.SINISI

THIS DRAWING IS A CONTROLLED DOCUMENT. CE PLAN EST UN DOCUMENT CONTROLE PAR AMP INCORPORATED. IL EST SUSCEPTIBLE D'ETRE REVISE. CONTACTER LE SERVICE TECHNIQUE D'AMP DE FRANCE POUR OBTENIR LA DERNIERE REVISION.		DWN/DESSINE 22NOV2000 C. COMBEDOUZON CHK/VERIFIE 22NOV2000 T. CORRIOLU APVD/APPROUVE 22NOV2000 Y. PETRONIN		NAME TITRE HEADERS HEI3, DOUBLE ROW, RIGHT ANGLE	
DIMENSIONS: mm		TOLERANCES UNLESS OTHERWISE SPECIFIED: TOLERANCES NON SPECIFIEES (SUIV NB DE DECIMALES) 0 PLC/DEC: ± 1 PLC/DEC: ±0.3 2 PLC/DEC: ± 3 PLC/DEC: ± 4 PLC/DEC: ± ANGLES ±5°		PRODUCT SPEC SPEC. PRODUIT 108-15053	
MATERIAL/MATIERE		FINISH/FINITION		SIZE FORMAT CAGE CODE DRAWING NO No PLAN	
4		3		A200779C-281743	
CUSTOMER DRAWING /PLAN CLIENT		UNIQUEMENT POUR REFERENCE		SCALE ECHELLE 5:1	
		SHEET FEUILLE		OF DE	
				REV F1	

单击下面可查看定价，库存，交付和生命周期等信息

[>>TE Connectivity\(泰科\)](#)