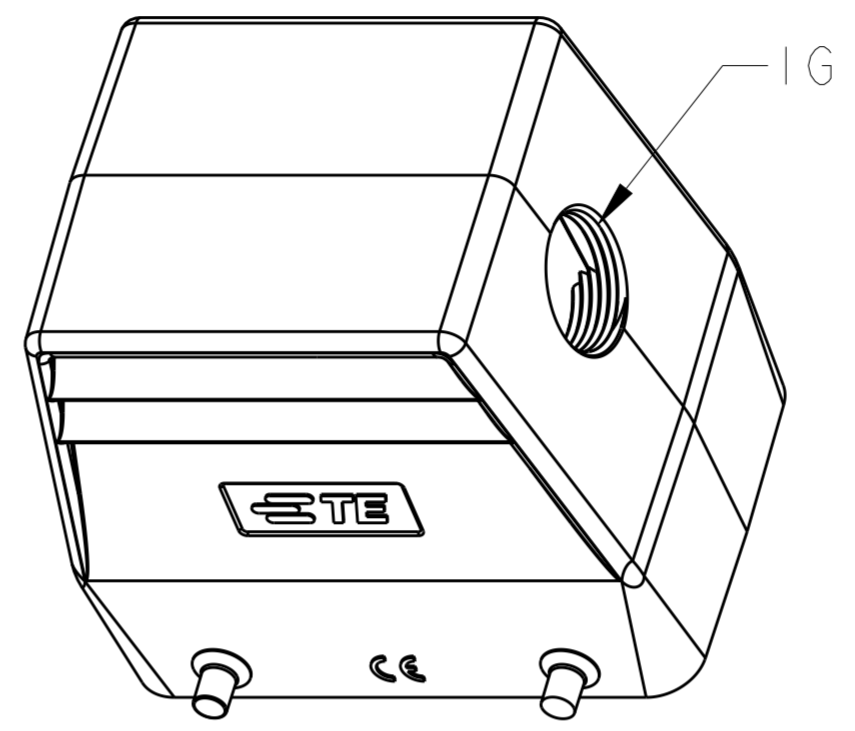
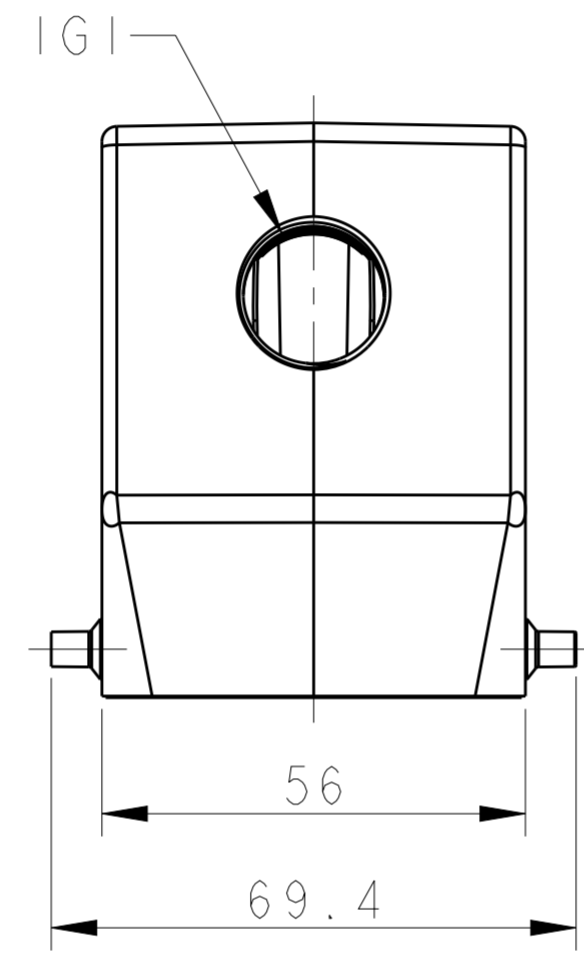
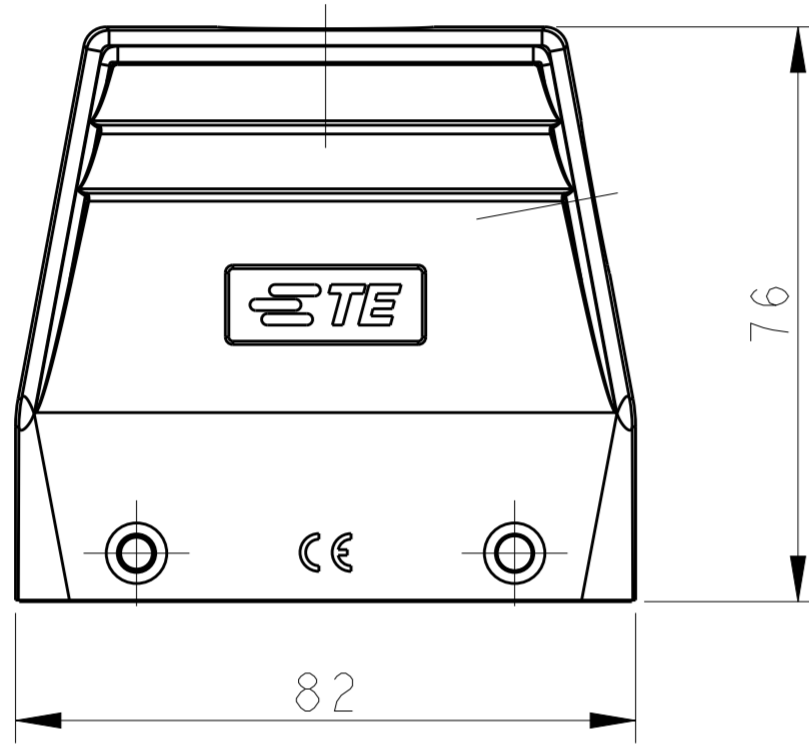
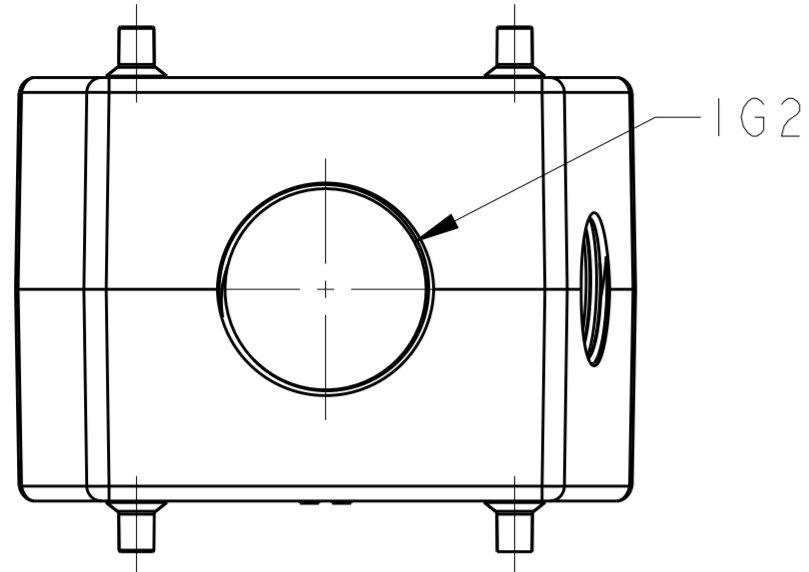
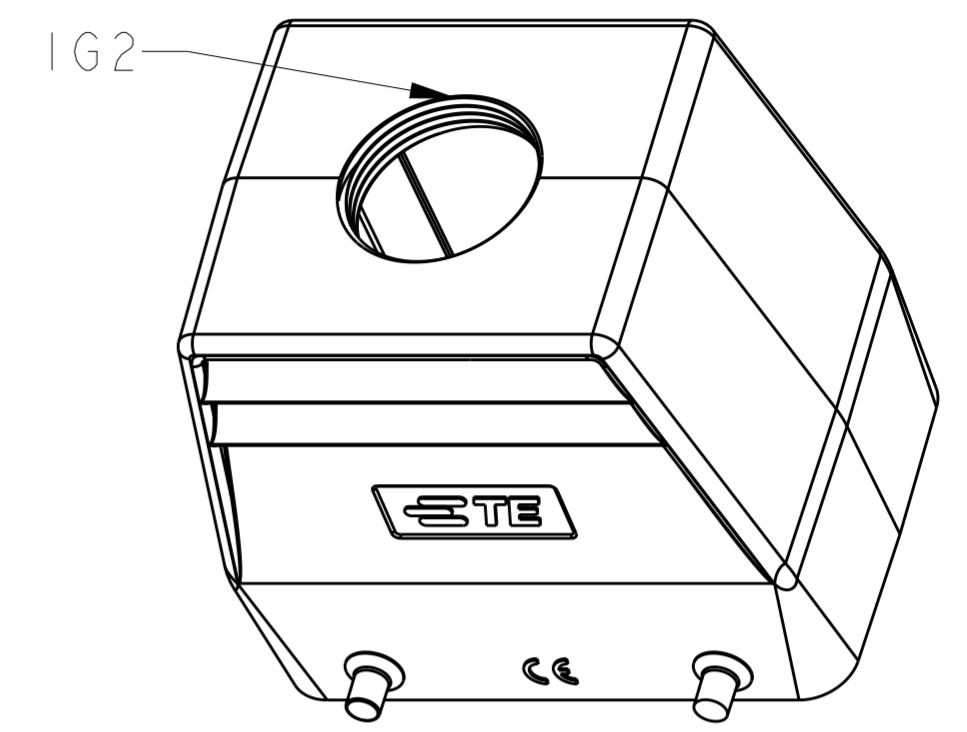


THIS DRAWING IS UNPUBLISHED. RELEASED FOR PUBLICATION 20  
 © COPYRIGHT 20 BY - ALL RIGHTS RESERVED.

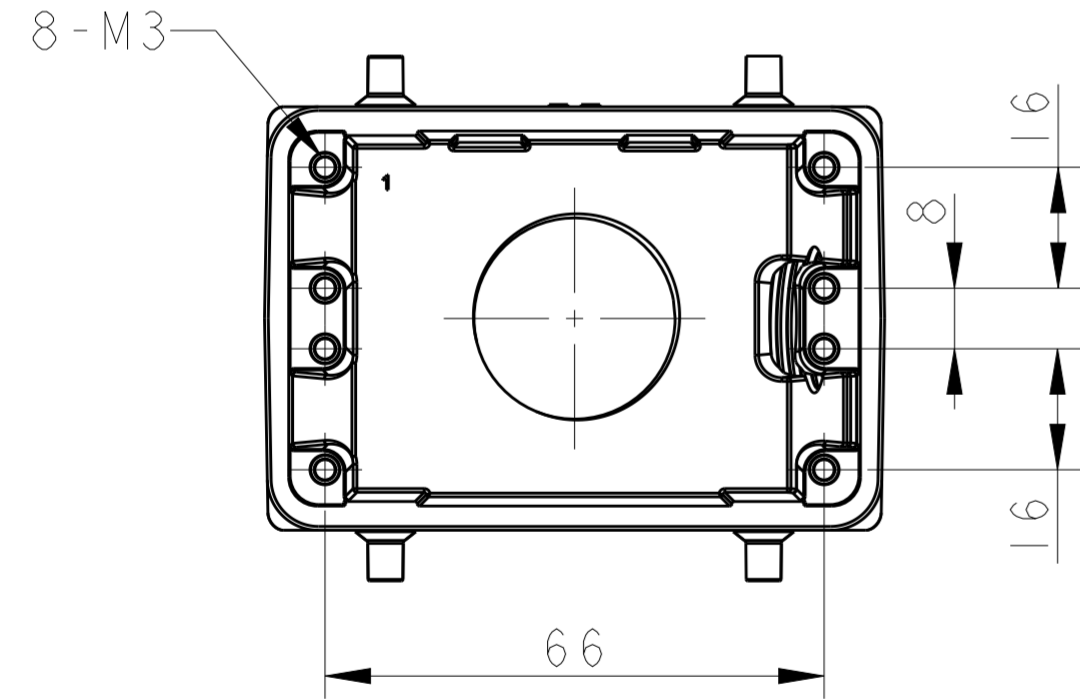
REVISIONS				
P	LTR	DESCRIPTION	DATE	APVD
A		INITIAL RELEASE	11MAY2015	DL CW
B		ECR-20-010477	28DEC2020	BS CW



TYPE 1 SIDE ENTRY



TYPE 2 TOP ENTRY



NOTES:  
 1. TECHNICAL CHARACTERISTICS:  
 BODY MATERIAL: DIE CAST ALUMINIUM ALLOY  
 SURFACE TREATMENT: POWDER-COATED, GRAY  
 DEGREE OF PROTECTION: IP65 (MATED)

注释:  
 1. 技术参数:  
 主体材料: 铝合金  
 表面处理: 粉末喷涂, 灰色  
 防护等级: IP65(配合)

T1319320116-000	TYPE 1	H32A-TS-PG16	PG16	-
T1319320120-000		H32A-TS-M20	M20	-
T1319320121-000		H32A-TS-PG21	PG21	-
T1319320125-000		H32A-TS-M25	M25	-
T1319320129-000		H32A-TS-PG29	PG29	-
T1319320132-000		H32A-TS-M32	M32	-
T1319320140-000		H32A-TS-M40	M40	-
T1329320121-000	TYPE 2	H32A-TG-PG21	-	PG21
T1329320125-000		H32A-TG-M25	-	M25
T1329320129-000		H32A-TG-PG29	-	PG29
T1329320132-000		H32A-TG-M32	-	M32
T1329320140-000		H32A-TG-M40	-	M40
T1329320150-000		H32A-TG-M50	-	M50
ASSEMBLY PART NUMBER	TYPE	ASSEMBLY PART DESCRIPTION	IG1	IG2

THIS DRAWING IS A CONTROLLED DOCUMENT.

DIMENSIONS: mm	TOLERANCES UNLESS OTHERWISE SPECIFIED: 0 PLC ± 1 PLC ± 2 PLC ± 3 PLC ± 4 PLC ± ANGLES ± FINISH	DWN DAVID LI 11MAY2015 CHK CHRIS WANG 11MAY2015 APVD XU XIANG 11MAY2015	TE Connectivity NAME H32A-TS/TG-PG/M	
MATERIAL		PRODUCT SPEC 108-137010 APPLICATION SPEC 114-137010 WEIGHT	SIZE A2	RESTRICTED TO
		Customer Drawing	SCALE 1:1	SHEET OF REV B

单击下面可查看定价，库存，交付和生命周期等信息

[>>TE Connectivity\(泰科\)](#)