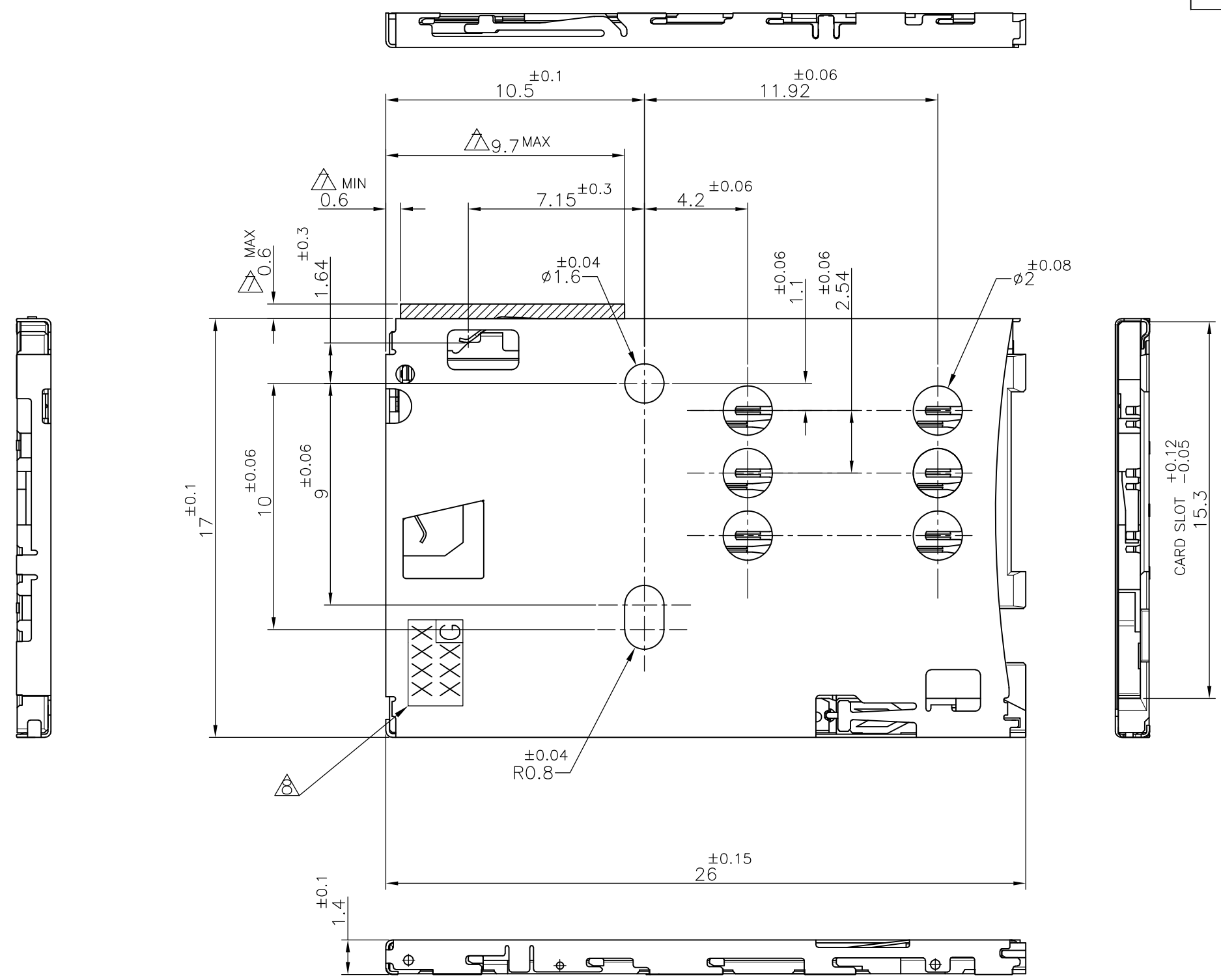
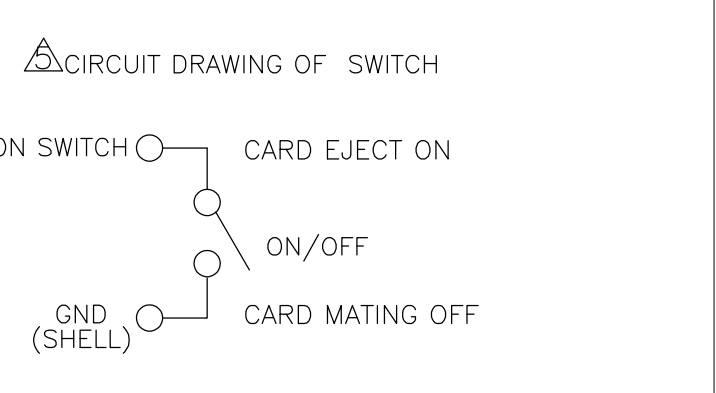


THIS DRAWING IS UNPUBLISHED. RELEASED FOR PUBLICATION JAN ,2011.
 © COPYRIGHT 2011 By Tyco Electronics Japan G.K ALL RIGHTS RESERVED.

LOC	DIST	REVISIONS					
J	/	P	LTR	DESCRIPTION	DATE	DWN	APVD
		A1	REVISED		05DEC2012	Y.K	T.K



- 1.MATERIAL HOUSING,SLIDER : THERMOPLASTIC RESIN
UL94V-0, COLOR;BLACK
CONTACT : COPPER ALLOY
SHELL : STAINLESS STEEL
COIL : SWP
CAM ROD : STAINLESS STEEL
- ΔFINISH CONTACT : Ni UNDER PL
Au PL AT CONTACT AREA
Au PL AT PROBE AREA
Au PL AT SOLDERING AREA
SHELL : Au PL AT SOLDERING AND SW AREA
- ΔNON-CUMULATIVE TOLERANCE
- 4. COPLANARITY IS 0.1MAX.
- ΔCIRCUIT DRAWING OF SWITCH
- 6. OVERALL TOLERANCE:±0.1
- ΔSWITCH MOVING AREA
- ΔMARK DATE CODE

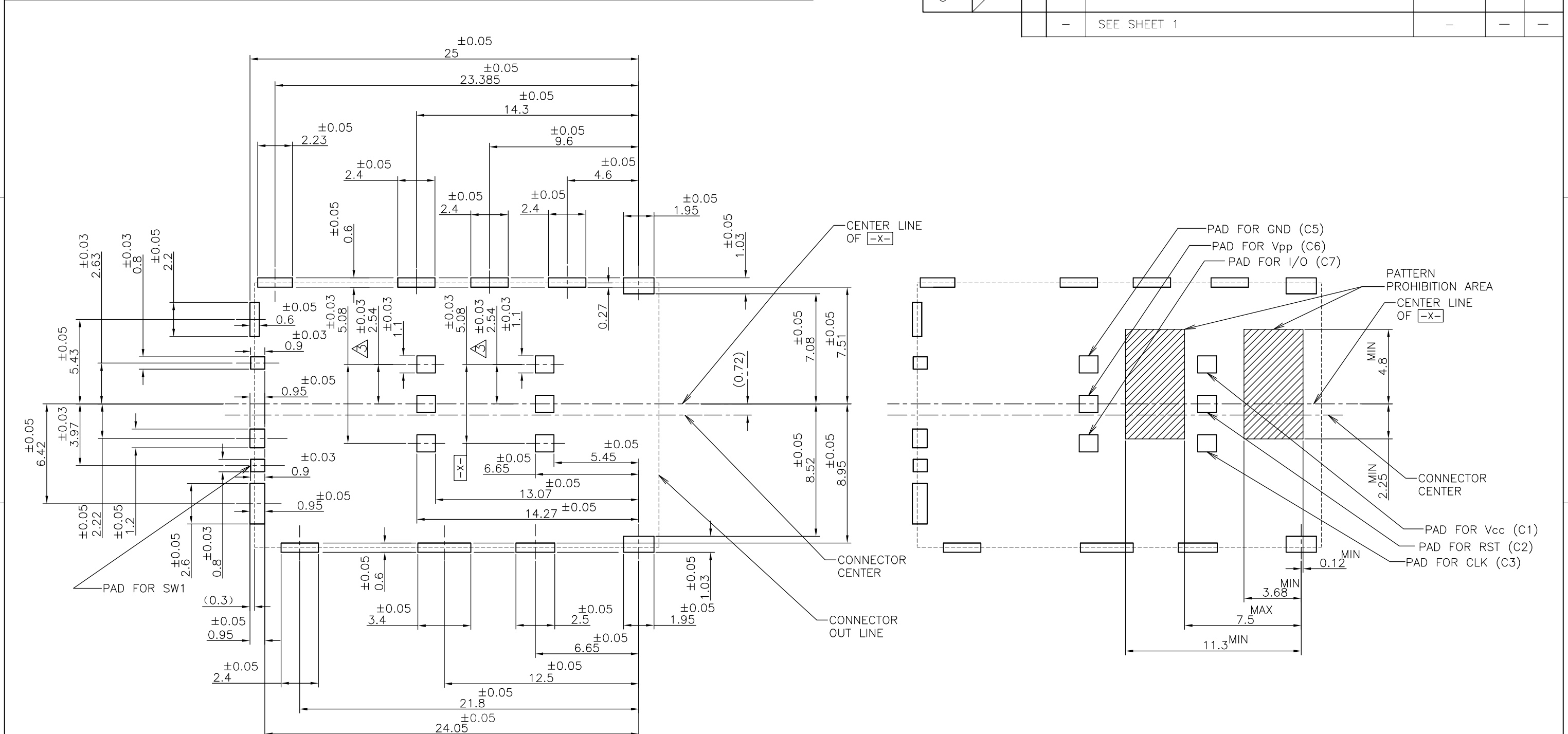


THIS DRAWING IS A CONTROLLED DOCUMENT.		DWN T.WATANABE 23APR2012	TE Connectivity SIM CONNECTOR PUSH-PUSH SUPER LOWPROFILE TYPE		
DIMENSIONS: MM		CHK K.KOBAYASHI 23APR2012			NAME
TOLERANCES UNLESS OTHERWISE SPECIFIED:		APVD T.KUSUHARA 23APR2012			PRODUCT SPEC
0 PLC ± - 1 PLC ± - 2 PLC ± - 3 PLC ± - 4 PLC ± - ANGLES ± - FINISH		APPLICATION SPEC			RESTRICTED TO
MATERIAL		WEIGHT 0.866g	SIZE A3	CAGE CODE 00779	
		CUSTOMER DRAWING	DRAWING NO C-2174918	SCALE 5:1	
			SHEET 1 OF 4	REV A1	

Δ	2174918-1
FINISH	PART NUMBER

THIS DRAWING IS UNPUBLISHED. RELEASED FOR PUBLICATION JAN ,2011.
 © COPYRIGHT 2011 By Tyco Electronics Japan G.K. ALL RIGHTS RESERVED.

LOC	DIST	REVISIONS			
P	LTR	DESCRIPTION	DATE	DWN	APVD
J	/	SEE SHEET 1	-	-	-



PCB LAYOUT(REFERENCE)
(VIEWED FROM CONNECTOR MOUNT SIDE)

THIS DRAWING IS A CONTROLLED DOCUMENT.		DWN	-		
DIMENSIONS: MM		CHK	-		
TOLERANCES UNLESS OTHERWISE SPECIFIED:		APVD	-		
0 PLC ± -		PRODUCT SPEC	-		
1 PLC ± -		APPLICATION SPEC	-		
2 PLC ± -		WEIGHT	-		
3 PLC ± -		TE Connectivity			
4 PLC ± -		SIM CONNECTOR PUSH-PUSH SUPER LOWPROFILE TYPE			
ANGLES ± -		SIZE	CAGE CODE	DRAWING NO	RESTRICTED TO
FINISH ± -		A3 00779		C-2174918	
MATERIAL		CUSTOMER DRAWING		SCALE 4:1	SHEET 2 OF 4
				REV A1	

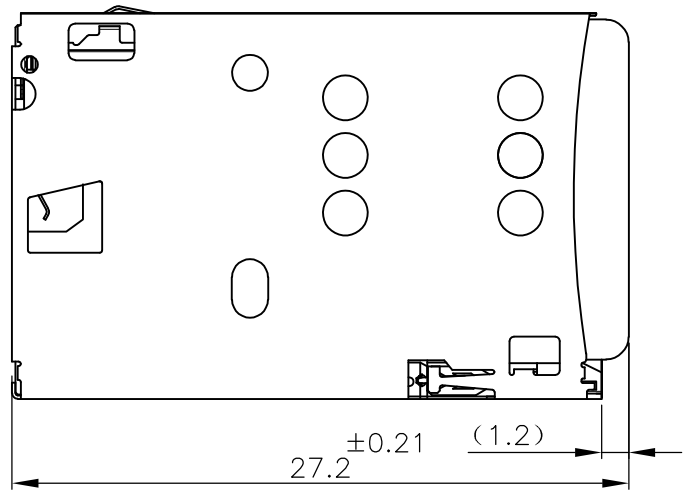
THIS DRAWING IS UNPUBLISHED.

RELEASED FOR PUBLICATION JAN , 2011.

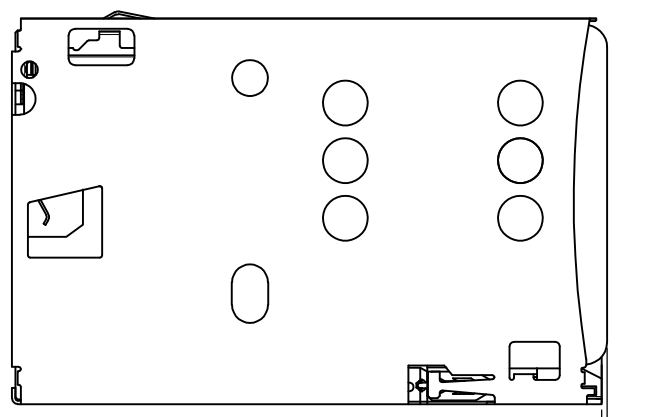
© COPYRIGHT 2011 By Tyco Electronics Japan G.K

ALL RIGHTS RESERVED.

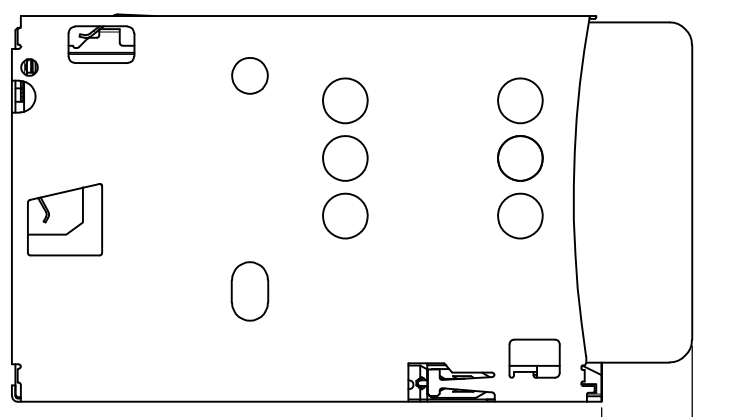
LOC	DIST	REVISIONS			
P	LTR	DESCRIPTION	DATE	DWN	APVD
J	/	SEE SHEET 1	-	-	-



MATING

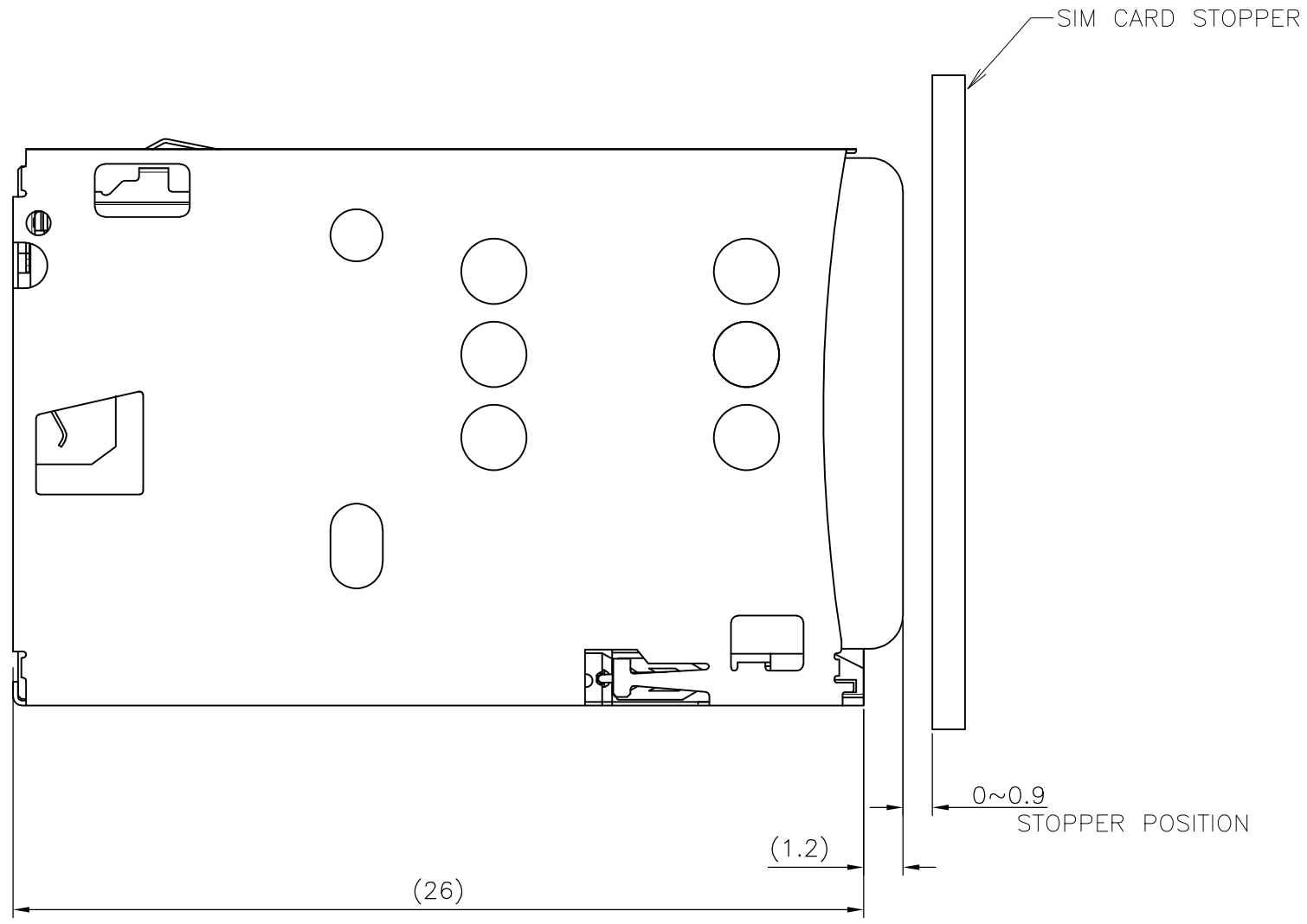


PUSH



EJECT

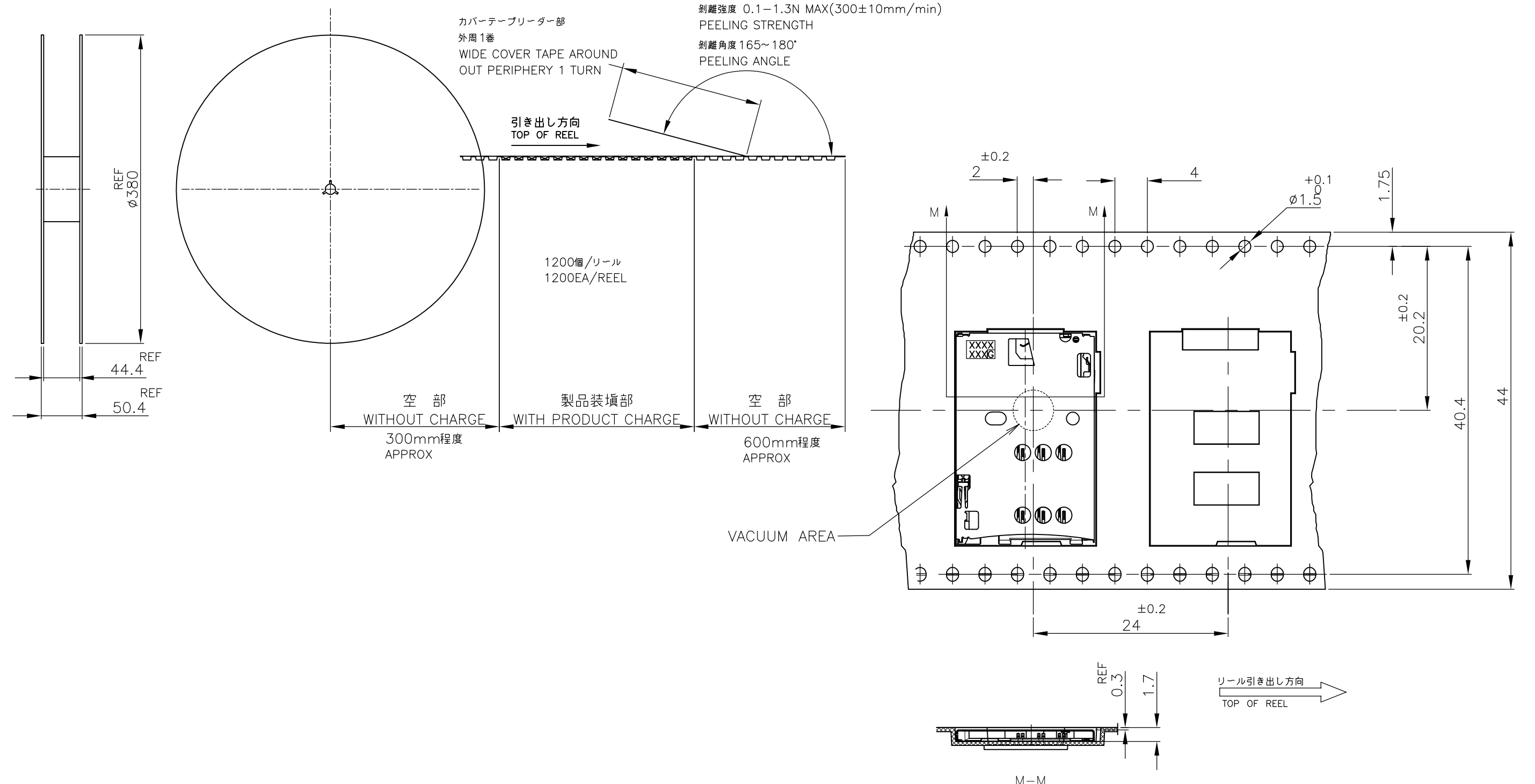
THERE IS NOT SIM CARD LOCK IN THIS CONNECTOR
PLEASE HOLD THE CARD EDGE AS SHOWN IN THE FIGURE BELOW AT TIME OF USE.



THIS DRAWING IS A CONTROLLED DOCUMENT.		DWN	TE Connectivity		
DIMENSIONS: MM		CHK	NAME		
		APVD	SIM CONNECTOR PUSH-PUSH SUPER LOWPROFILE TYPE		
TOLERANCES UNLESS OTHERWISE SPECIFIED:		PRODUCT SPEC	SIZE	CAGE CODE	DRAWING NO
0 PLC	± -	APPLICATION SPEC	A3	00779	C-2174918
1 PLC	± -	WEIGHT	RESTRICTED TO		
2 PLC	± -	CUSTOMER DRAWING			
3 PLC	± -	SCALE 4:1			SHEET 3 OF 4
4 PLC	± -	REV A1			
ANGLES	± -				
MATERIAL	FINISH				

THIS DRAWING IS UNPUBLISHED. RELEASED FOR PUBLICATION JAN , 2011.
 © COPYRIGHT 2011 By Tyco Electronics Japan G.K. ALL RIGHTS RESERVED.

LOC	DIST	REVISIONS			
P	LTR	DESCRIPTION	DATE	DWN	APVD
J	/	SEE SHEET 1	-	-	-



THIS DRAWING IS A CONTROLLED DOCUMENT.		DWN	-	STE TE Connectivity	
DIMENSIONS: MM		CHK	-		
TOLERANCES UNLESS OTHERWISE SPECIFIED:		APVD	-	NAME	
0 PLC	± -	PRODUCT SPEC	-	SIM CONNECTOR PUSH-PUSH SUPER LOWPROFILE TYPE	
1 PLC	± -	APPLICATION SPEC	-	SIZE	A3
2 PLC	± -	WEIGHT	-	CAGE CODE	00779
3 PLC	± -	CUSTOMER DRAWING		DRAWING NO	C-2174918
4 PLC	± -	SCALE		RESTRICTED TO	-
ANGLES	± -	NTS		SHEET	4 OF 4
MATERIAL	FINISH	SCALE		REV	A1

单击下面可查看定价，库存，交付和生命周期等信息

[>>TE Connectivity\(泰科\)](#)