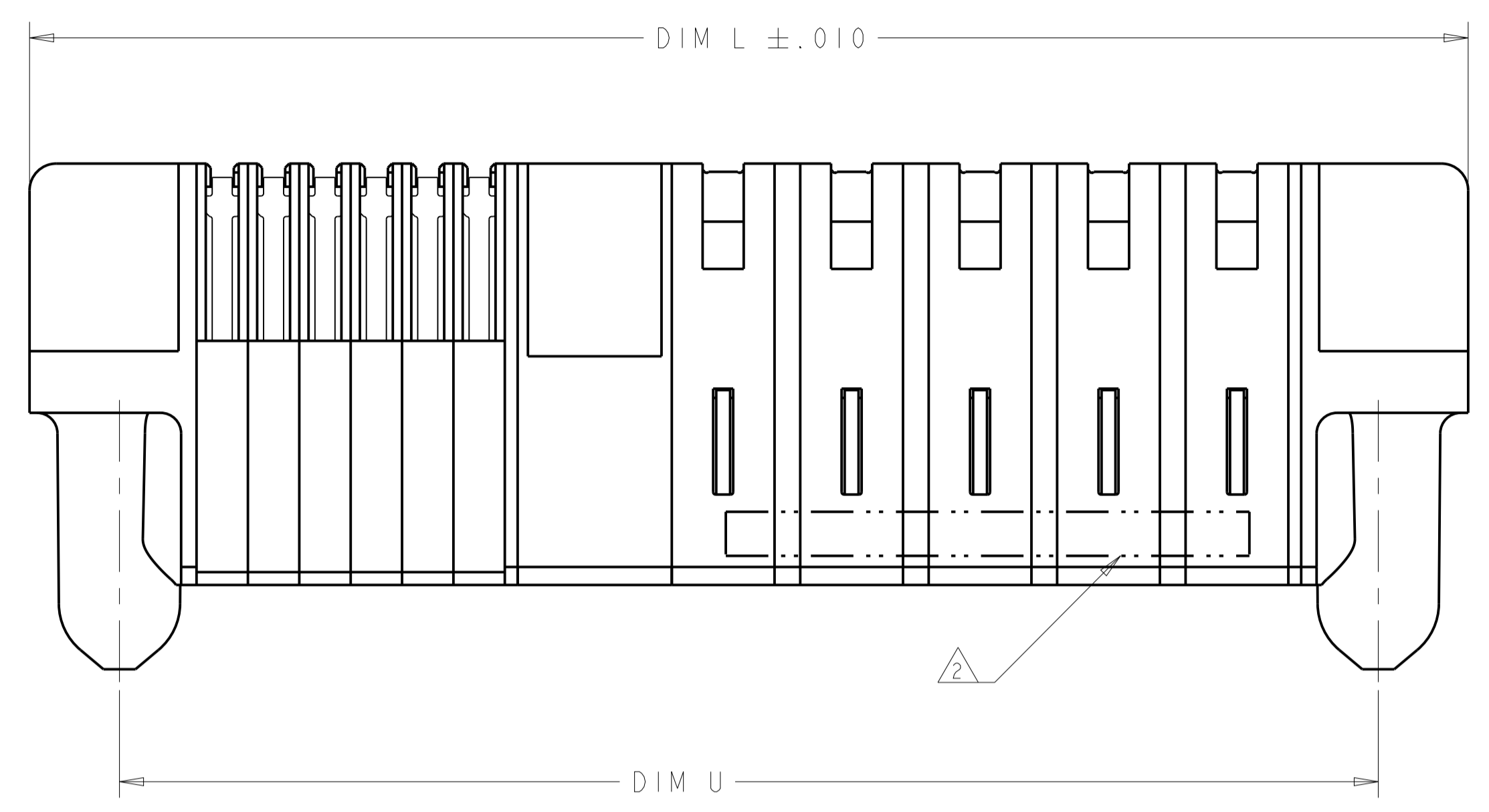
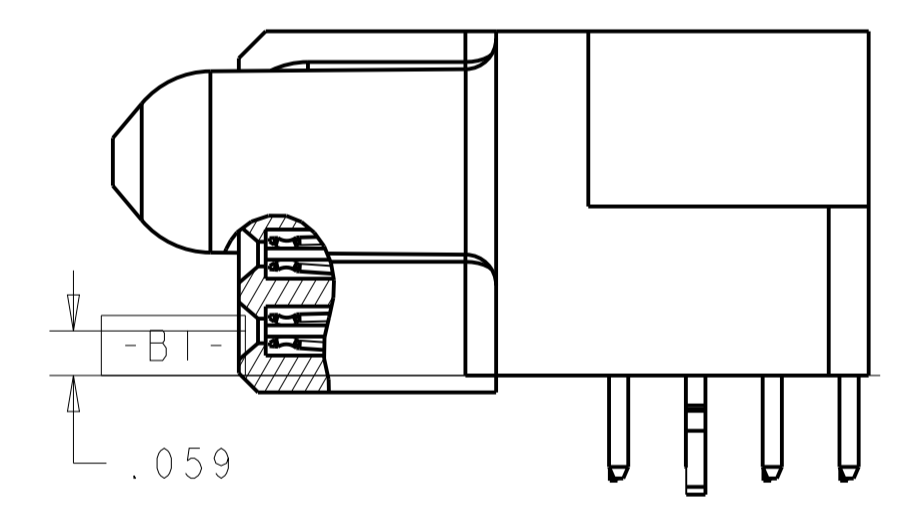
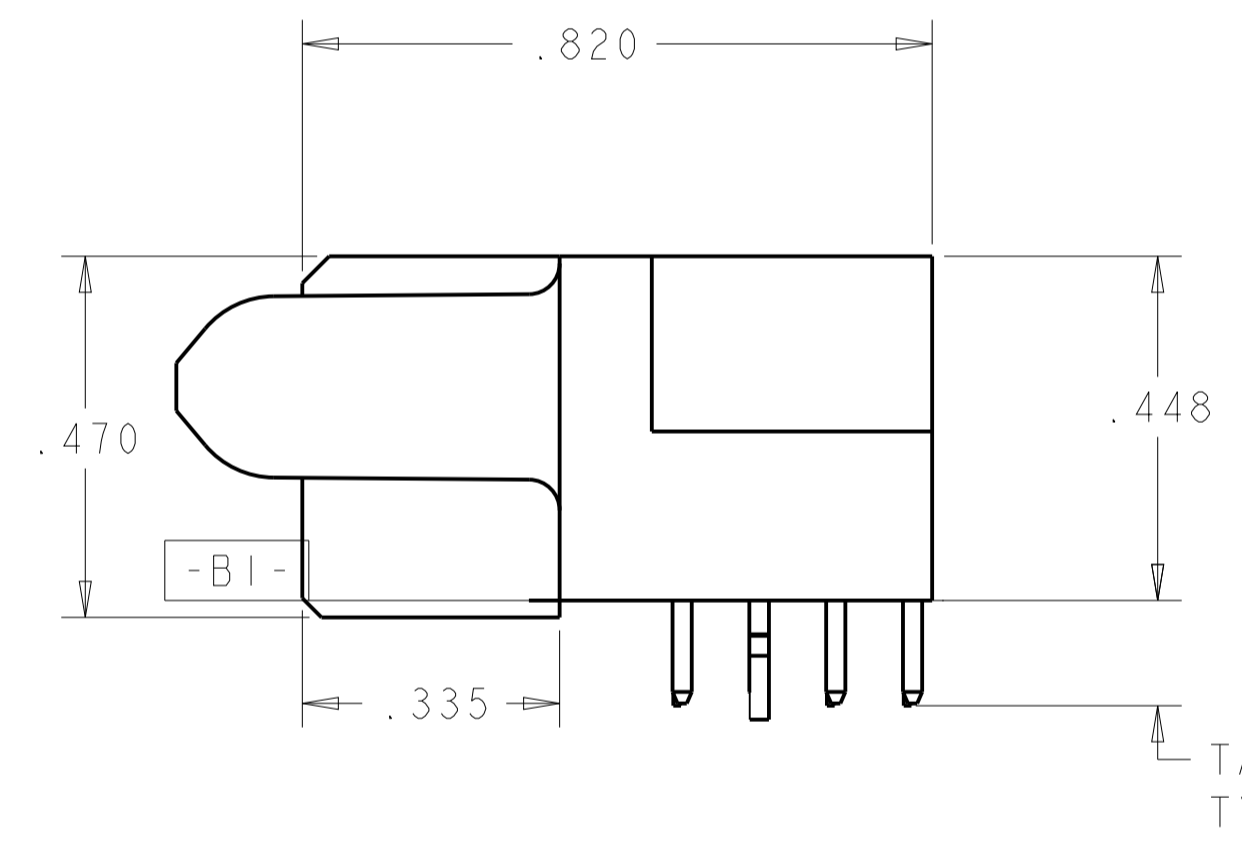
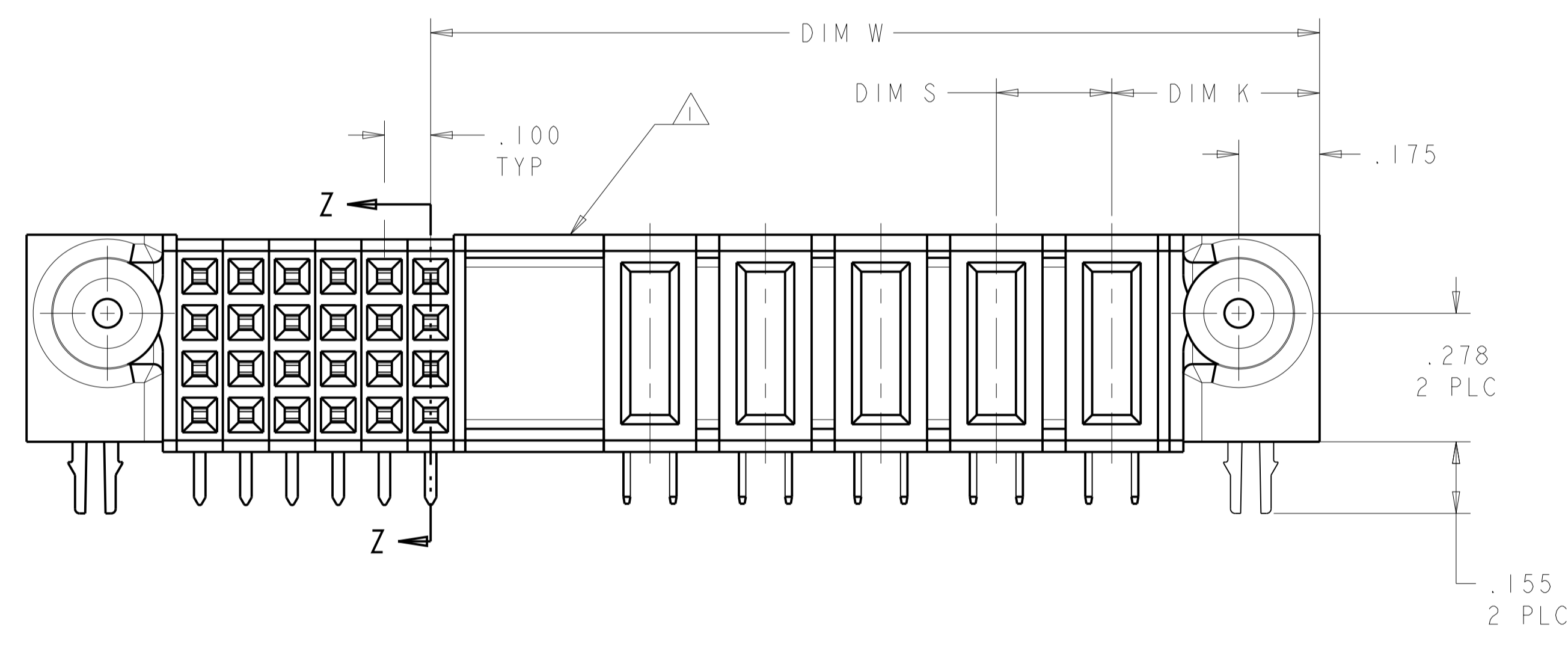


| LOC | DIST | REV | DATE | BY | CHK | APPV |
|-----|------|-----|------|----|-----|------|
| ES | 00 | | | | | |

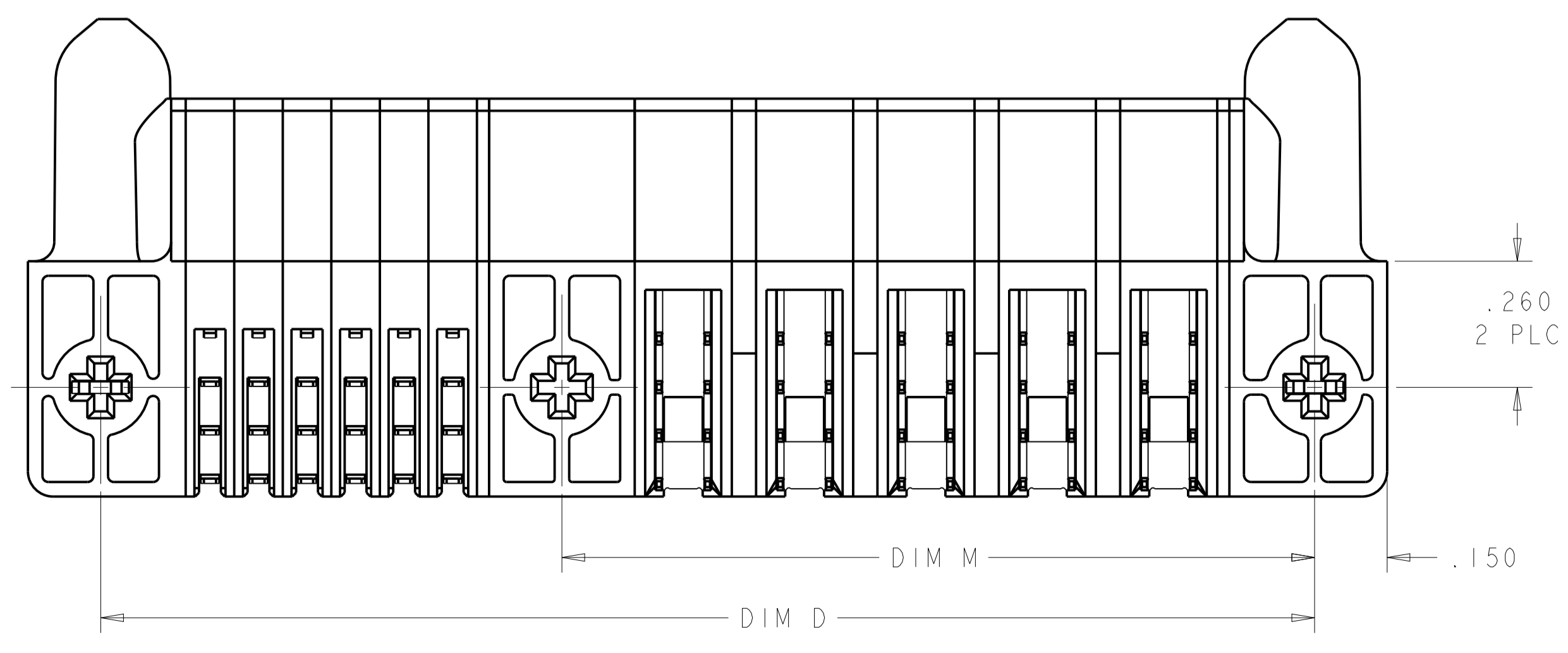
| REVISIONS | | | | | | |
|-----------|-----------|----|-----|------|-----------------------------|------|
| REV | DATE | BY | CHK | APPV | DESCRIPTION | DATE |
| E3 | 7JAN2012 | OL | SZ | | ADD NEW DASH NUMBER -14 | |
| E4 | 23JAN2013 | CZ | SZ | | ADDED NEW DASH NUMBER -15 | |
| E5 | 05FEB2013 | CZ | SZ | | ADD FRONT VIEW FOR PART 1-5 | |
| E9 | 11AUG2014 | AL | SZ | | ADD NEW DASH NUMBER 1-6 | |



- 1 OPTIONAL CENTER MODULE WITH $\varnothing .150$ THRU HOLE OR HOLD DOWN FEATURE.
- 2 "AMP", PART NUMBER, AND DATE CODE TO BE MARKED IN AREA SHOWN.
- 3 MATERIAL: HOUSING - GLASS FILLED HIGH TEMP THERMO PLASTIC, UL94 V-0
 SIGNAL CONTACT - HIGH CONDUCTIVITY COPPER ALLOY
 POWER CONTACT - HIGH CONDUCTIVITY COPPER ALLOY
- 4 CONTACT PLATING: NOBLE METAL PLATING ON FUNCTIONAL AREA FOR SIGNAL AND POWER CONTACTS
- 5 MECHANICAL CONNECTOR KEEP OUT ZONE.
- 6 DATUM AND BASIC DIMENSIONS ESTABLISHED BY CUSTOMER.
- 7 PCB - ALL HOLE DIAMETERS ARE FINISHED HOLE SIZES.
- 8 PCB - .0453 +/- .0010 DRILLED HOLES PLATED WITH .0003 MIN Sn OVER .001 TO .003 PLATING TO ACHIEVE A .040 DIA. HOLE.
- 9 NOT RELEASED FOR PRODUCTION.



SECTION Z-Z



| U | S | W | D | M | L | K | DESCRIPTION | PART NUMBER |
|-------|------|-------|-------|---|-------|------|-------------|-------------|
| 2.400 | .250 | 1.875 | 2.450 | - | 2.750 | .450 | 6P + 24S | 1-6450162-6 |
| 2.400 | .250 | 1.875 | 2.450 | - | 2.750 | .450 | 6P + 24S | 1-6450162-5 |
| 1.900 | .250 | 1.375 | 1.950 | - | 2.250 | .450 | 4P + 24S | 1-6450162-4 |
| 1.600 | .250 | 1.375 | 1.650 | - | 1.950 | .450 | 4P + 12S | 1-6450162-2 |
| 1.000 | .250 | .875 | 1.050 | - | 1.350 | .450 | 2P + 8S | 1-6450162-1 |
| 2.900 | .250 | 2.375 | 2.950 | - | 3.250 | .450 | 8P + 24S | 6450162-9 |
| 3.800 | .250 | 2.875 | 3.850 | - | 4.150 | .450 | 10P + 40S | 6450162-8 |
| 1.650 | .200 | 1.225 | 1.700 | - | 2.000 | .450 | 4P + 20S | 6450162-7 |
| 1.700 | .250 | 1.375 | 1.750 | - | 2.050 | .450 | 4P + 16S | 6450162-5 |
| 2.675 | .250 | 2.125 | 2.725 | - | 3.025 | .450 | 7P + 24S | 6450162-2 |
| 4.600 | .250 | 3.875 | 4.650 | - | 4.950 | .450 | 14P + 32S | 6450162-1 |

THIS DRAWING IS A CONTROLLED DOCUMENT.

DIMENSIONS: INCHES

TOLERANCES UNLESS OTHERWISE SPECIFIED:

| | |
|-------|-------|
| 0 PLC | ± |
| 1 PLC | ±.01 |
| 2 PLC | ±.01 |
| 3 PLC | ±.005 |
| 4 PLC | ±.002 |

ANGLES: ±.020

MATERIAL:

FINISH:

Customer Drawing

OWN: R. GRZYBOWSKI 21FEB05
 CHK: M. PERCHERKE 21FEB05
 APVD: M. PERCHERKE

PRODUCT SPEC: 108-1973
 APPLICATION SPEC: 114-13038

SIZE: 114-13038
 WEIGHT: -

RESTRICTED TO: A100779C=6450162

SCALE: 4:1 SHEET 1 OF 5 REV: E9

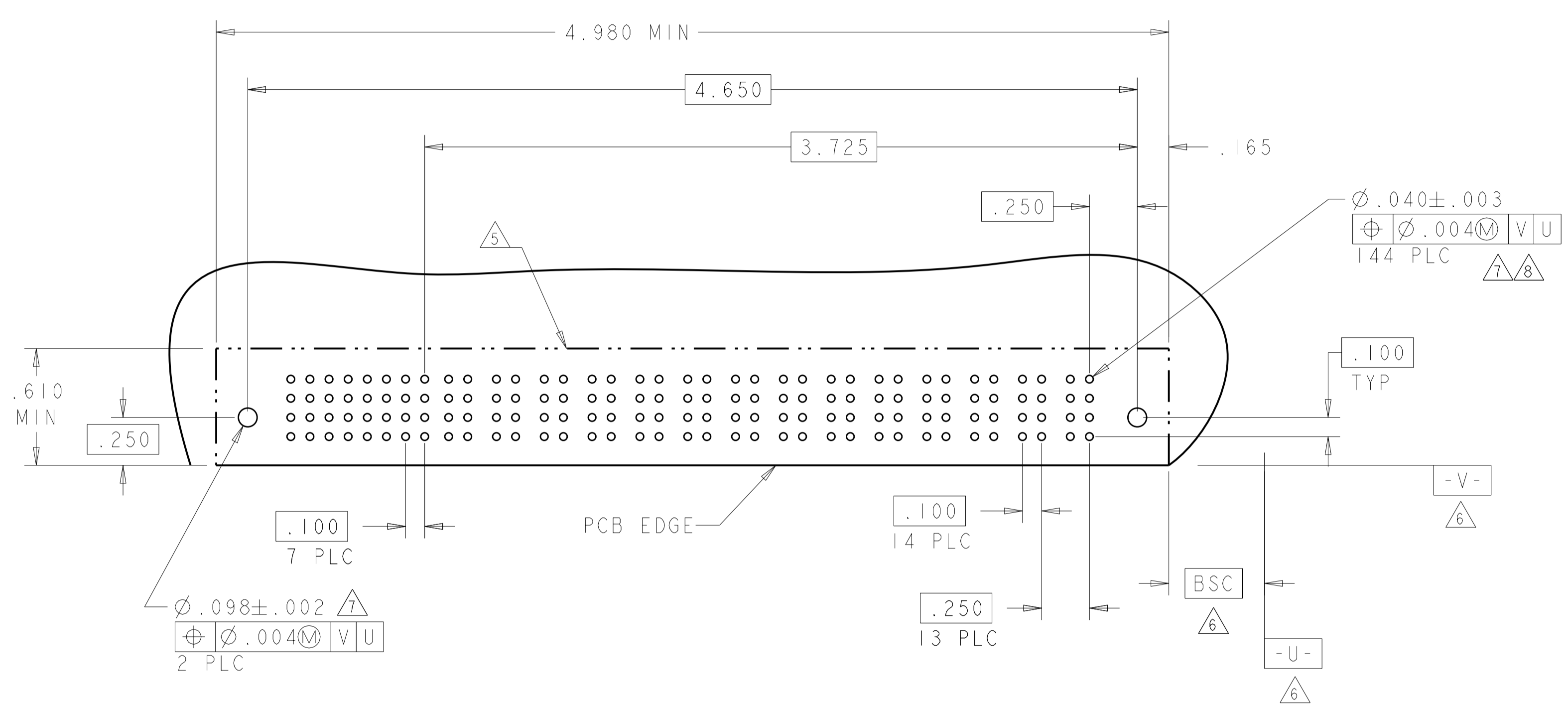
TE Connectivity

RIGHT ANGLE RECEPTACLE ASSEMBLY WITH GUIDES MULTI-BEAM XL

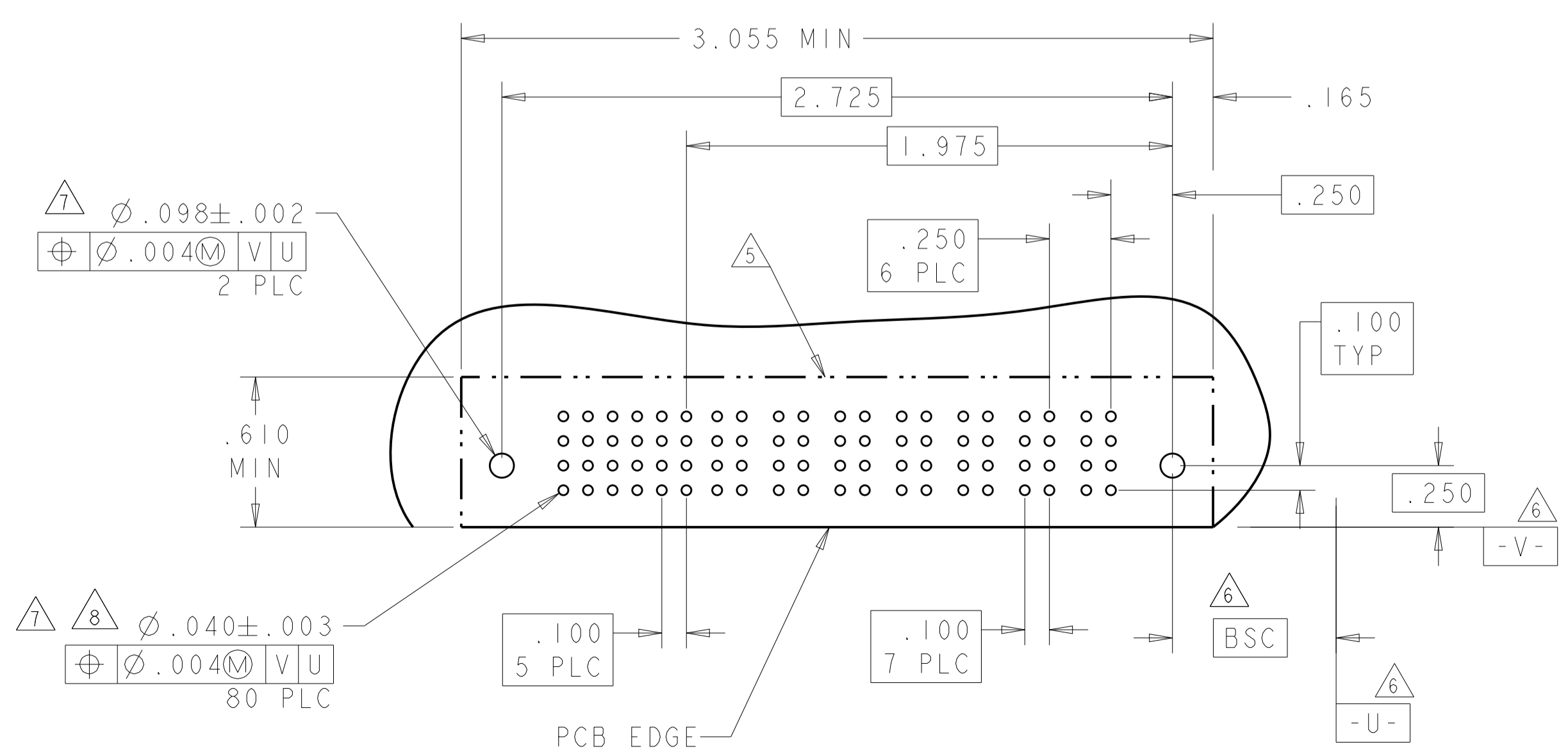
| LOC | DIST | REV | DATE | BY | APPV |
|-----|------|-----|------|----|------|
| ES | 00 | | | | |

| REVISIONS | | DATE | BY | APPV |
|-----------|-------------|------|----|------|
| 1 | SEE SHEET 1 | | | |

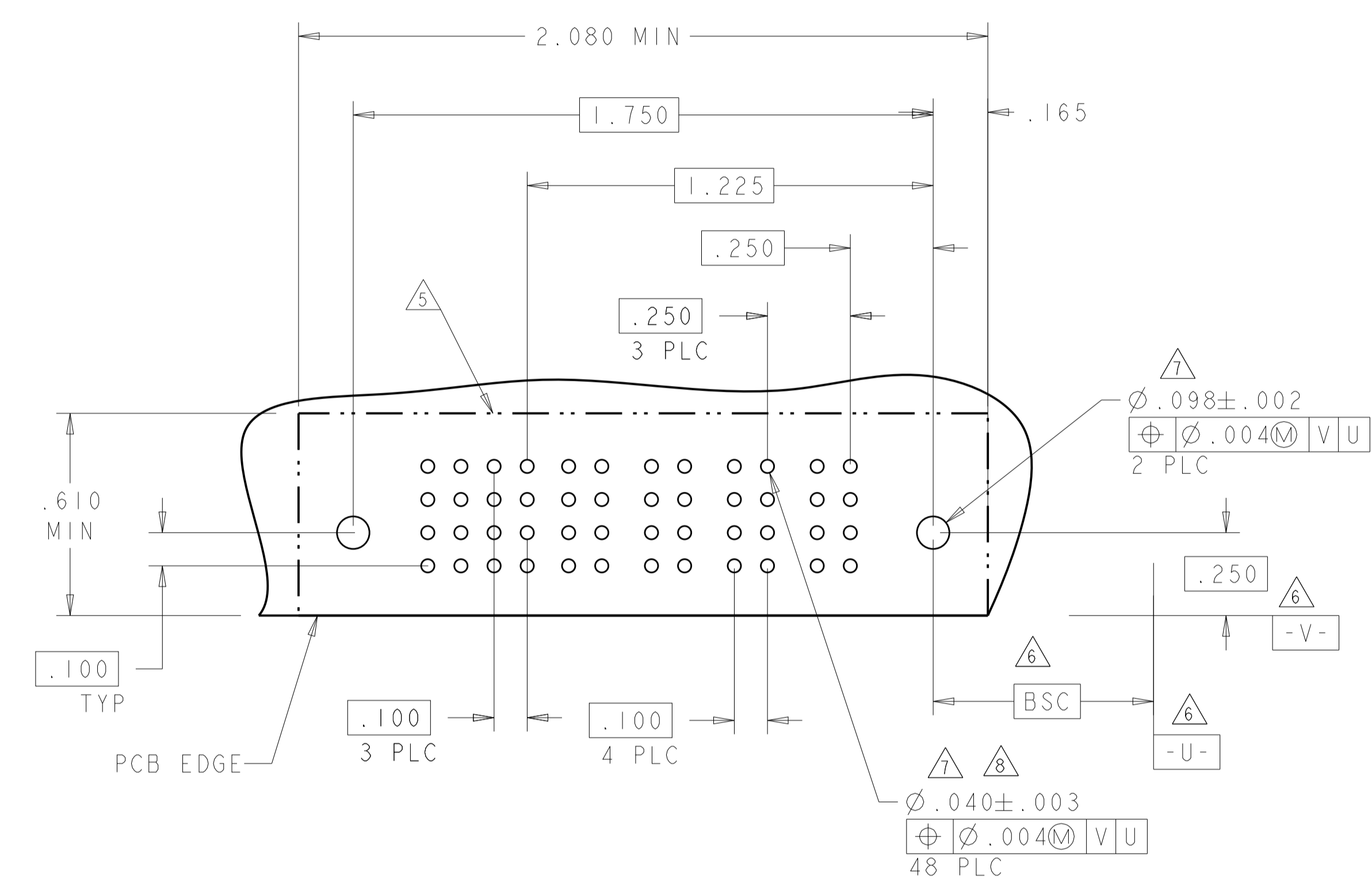
| PART NUMBER | ROWS | SIGNAL | | | | | | | | POWER | | | | | | | | | | | | | | |
|-------------|------------------|--------|---|---|---|---|---|---|---|-------|-----|-----|-----|-----|----|----|----|----|----|----|----|----|----|--|
| | | 8 | 7 | 6 | 5 | 4 | 3 | 2 | 1 | PI4 | PI3 | PI2 | PI1 | PI0 | P9 | P8 | P7 | P6 | P5 | P4 | P3 | P2 | P1 | |
| 6450162-1 | D C B A | H | H | H | H | H | H | H | H | RA | RA | RA | RA | RA | RA | RA | RA | RA | RA | RA | RA | RA | RA | |
| | | G | G | G | G | G | G | G | G | | | | | | | | | | | | | | | |
| | | F | F | F | F | F | F | F | F | | | | | | | | | | | | | | | |
| 14P + 32S | | HD | | | | | | | | | | | | | | | | | | HD | | | | |



| PART NUMBER | ROWS | SIGNAL | | | | | | POWER | | | | | | | |
|-------------|------------------|--------|---|---|---|---|---|-------|----|----|----|----|----|----|--|
| | | 6 | 5 | 4 | 3 | 2 | 1 | P7 | P6 | P5 | P4 | P3 | P2 | P1 | |
| 6450162-2 | D C B A | H | H | H | H | H | H | RA | RA | RA | RA | RA | RA | RA | |
| | | G | G | G | G | G | G | | | | | | | | |
| | | F | F | F | F | F | F | | | | | | | | |
| 7P + 24S | | HD | | | | | | | | | | | | HD | |



| PART NUMBER | ROWS | SIGNAL | | | | POWER | | | | | | | |
|-------------|------------------|--------|---|---|---|-------|----|----|----|--|--|----|--|
| | | 4 | 3 | 2 | 1 | P4 | P3 | P2 | P1 | | | | |
| 6450162-5 | D C B A | H | H | H | H | RA | RA | RA | RA | | | | |
| | | G | G | G | G | | | | | | | | |
| | | F | F | F | F | | | | | | | | |
| 4P + 16S | | HD | | | | | | | | | | HD | |



| CODE | DESCRIPTION | ROW |
|------|-------------------------|-----|
| RN | STD POWER-.090 TAIL | - |
| RM | STD POWER-.135 TAIL | - |
| RB | MFBL POWER-.090 TAIL | - |
| RA | MFBL POWER-.135 TAIL | - |
| L | .090 TAIL LENGTH SIGNAL | D |
| K | .090 TAIL LENGTH SIGNAL | C |
| J | .090 TAIL LENGTH SIGNAL | B |
| I | .090 TAIL LENGTH SIGNAL | A |
| H | .135 TAIL LENGTH SIGNAL | D |
| G | .135 TAIL LENGTH SIGNAL | C |
| F | .135 TAIL LENGTH SIGNAL | B |
| E | .135 TAIL LENGTH SIGNAL | A |

CONTACT TABLE

THIS DRAWING IS A CONTROLLED DOCUMENT.

| | | | | | |
|--------------------|--|-----------------------------|-----------------------------|--------------------|--------------------|
| DIMENSIONS: INCHES | TOLERANCES UNLESS OTHERWISE SPECIFIED: | OWN: R. GRZYBOWSKI / ZIFB05 | CHEK: M. PERCHERKE / ZIFB05 | APVD: M. PERCHERKE | NAME: M. PERCHERKE |
| | 0 PLC ±.01 | PRODUCT SPEC: 108-1973 | APPLICATION SPEC: 114-13038 | WEIGHT: - | SIZE: A1 |
| | 1 PLC ±.01 | | | | CAGE CODE: 6450162 |
| | 2 PLC ±.01 | | | | Customer Drawing |
| | 3 PLC ±.01 | | | | SCALE: 1:1 |
| | 4 PLC ±.005 | | | | SHEET 2 OF 5 |
| | 5 PLC ±.002 | | | | REV: E9 |
| | ANGLES ±.002 | | | | |

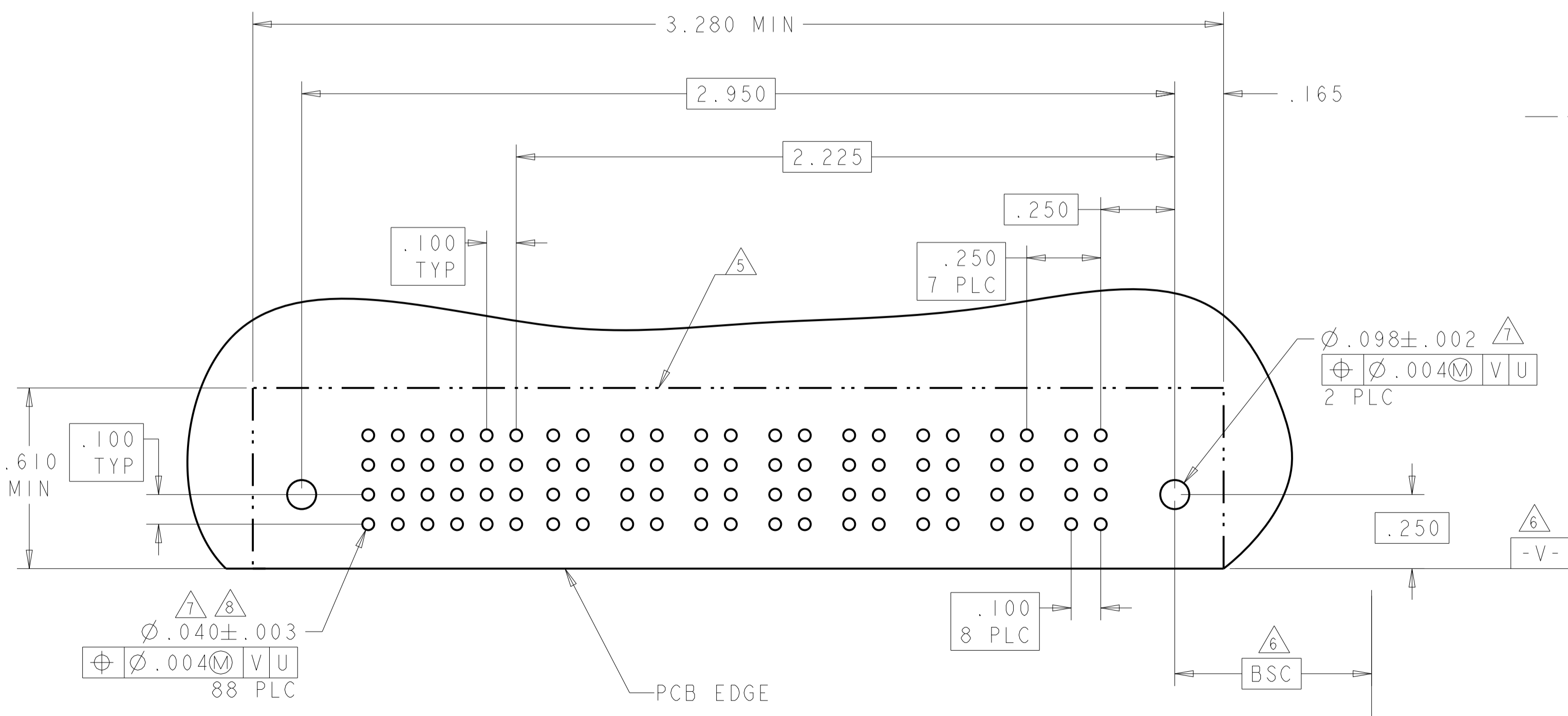
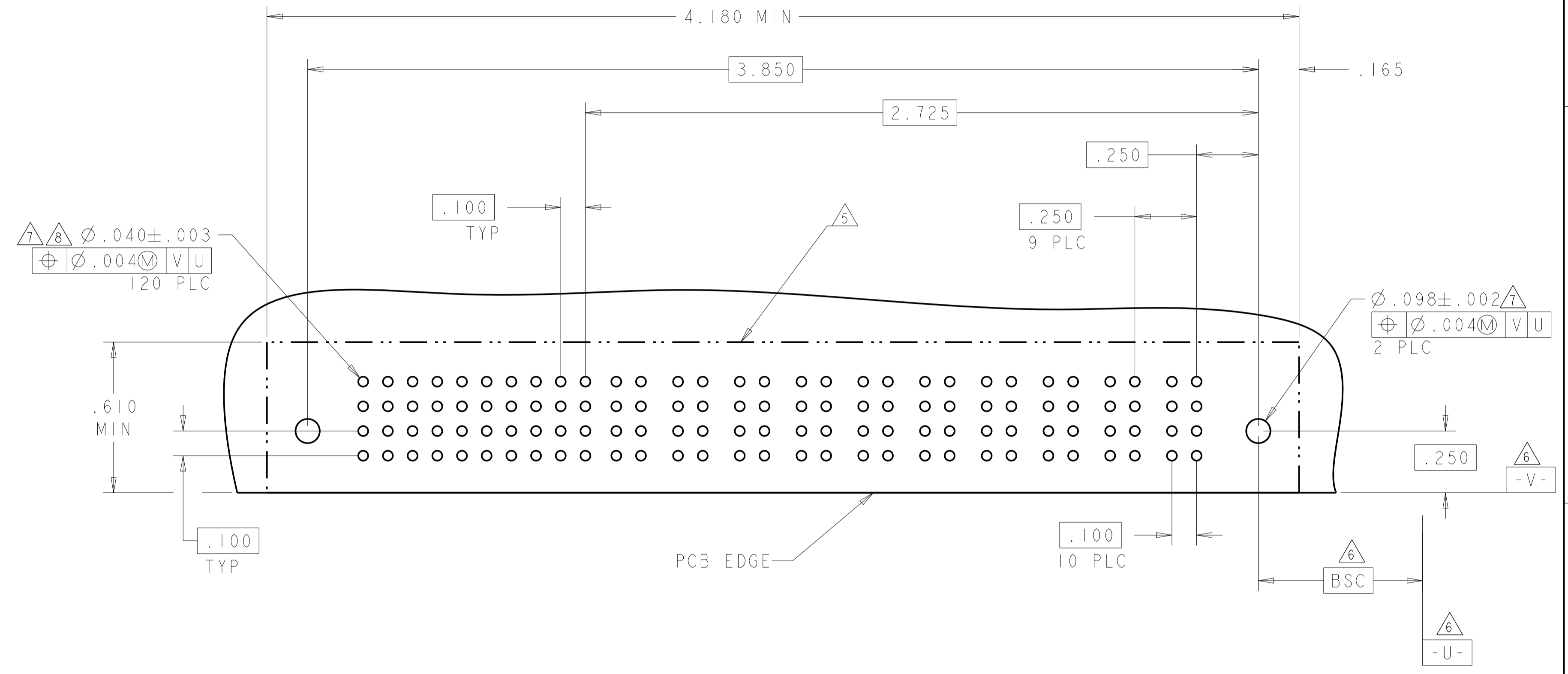
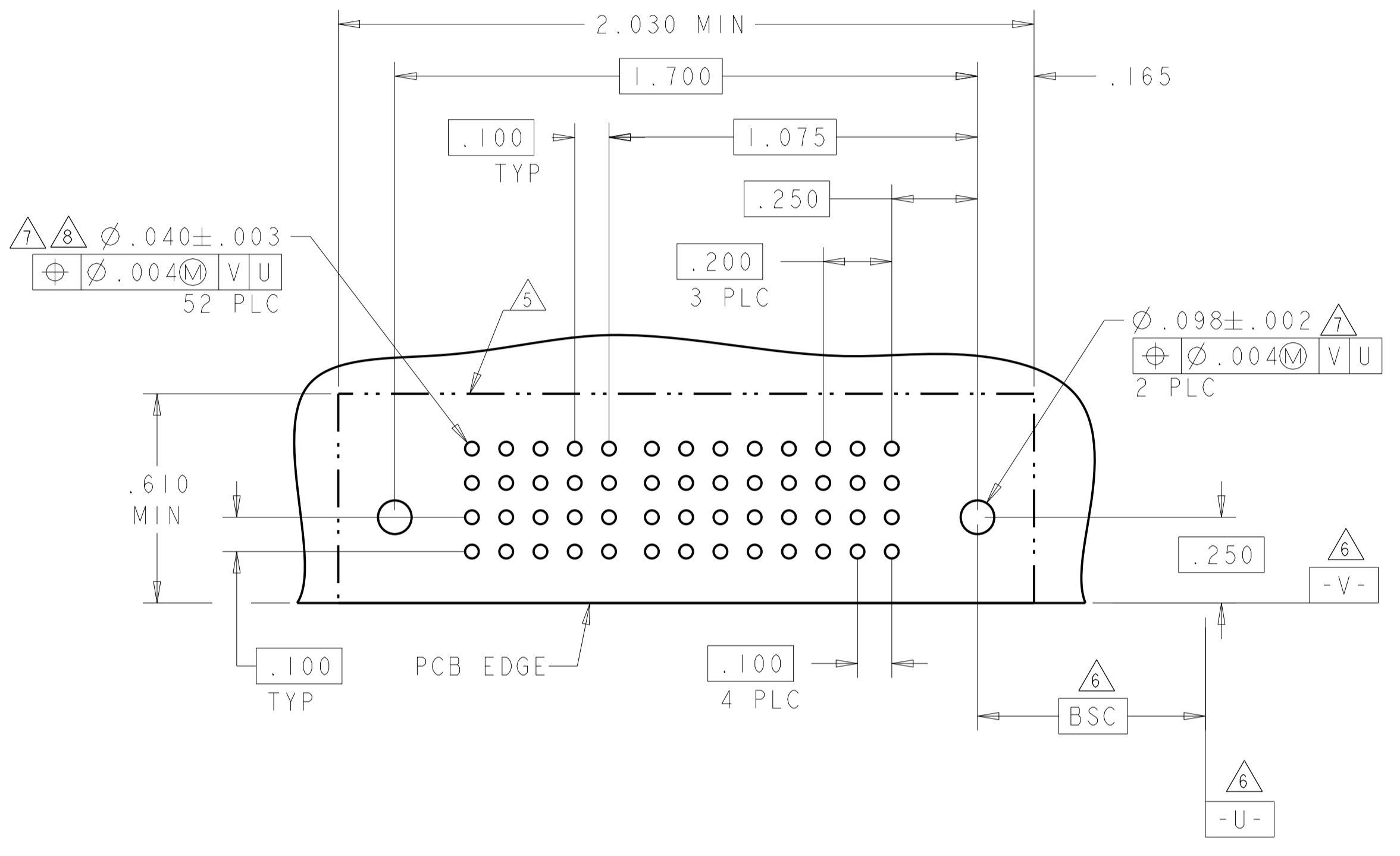
STE TE Connectivity

RIGHT ANGLE RECEPTACLE ASSEMBLY WITH GUIDES MULTI-BEAM XL

| LOC | DIST | REV | DATE | BY | APPV |
|-----|------|-----|------|----|------|
| ES | 00 | | | | |

| PART NUMBER | ROWS | SIGNAL | | | | | POWER | | | |
|-------------|------------------|--------|---|----|---|---|-------|----|----|----|
| | | 5 | 4 | 3 | 2 | 1 | P4 | P3 | P2 | P1 |
| 6450162-7 | D C B A | H | H | H | H | H | RA | RA | RA | RA |
| | | G | G | G | G | G | | | | |
| | | F | F | F | F | F | | | | |
| | | E | E | E | E | E | | | | |
| 4P + 20S | | HD | | HD | | | | | | |

| PART NUMBER | ROWS | SIGNAL | | | | | | | | | | POWER | | | | | | | | | |
|-------------|------------------|--------|---|----|---|---|---|---|---|---|---|-------|----|----|----|----|----|----|----|----|----|
| | | 10 | 9 | 8 | 7 | 6 | 5 | 4 | 3 | 2 | 1 | P10 | P9 | P8 | P7 | P6 | P5 | P4 | P3 | P2 | P1 |
| 6450162-8 | D C B A | L | L | L | L | L | L | L | L | L | L | RN | RN | RN | RN | RN | RN | RN | RN | RN | RN |
| | | K | K | K | K | K | K | K | K | K | K | | | | | | | | | | |
| | | J | J | J | J | J | J | J | J | J | J | | | | | | | | | | |
| | | I | I | I | I | I | I | I | I | I | I | | | | | | | | | | |
| 10P + 40S | | HD | | HD | | | | | | | | | | | | | | | | | |



| PART NUMBER | ROWS | SIGNAL | | | | | POWER | | | | | | | | |
|-------------|------------------|--------|---|----|---|---|-------|----|----|----|----|----|----|----|----|
| | | 6 | 5 | 4 | 3 | 2 | 1 | P8 | P7 | P6 | P5 | P4 | P3 | P2 | P1 |
| 6450162-9 | D C B A | H | H | H | H | H | RM | RM | RM | RM | RM | RM | RM | RM | RM |
| | | G | G | G | G | G | | | | | | | | | |
| | | F | F | F | F | F | | | | | | | | | |
| | | E | E | E | E | E | | | | | | | | | |
| 8P + 24S | | HD | | HD | | | | | | | | | | | |

THIS DRAWING IS A CONTROLLED DOCUMENT.

OWN: R. GRZYBOWSKI 21FEB05
CHK: M. PERCHERKE 21FEB05
APVD: M. PERCHERKE

TE Connectivity

RIGHT ANGLE RECEPTACLE ASSEMBLY WITH GUIDES MULTI-BEAM XL

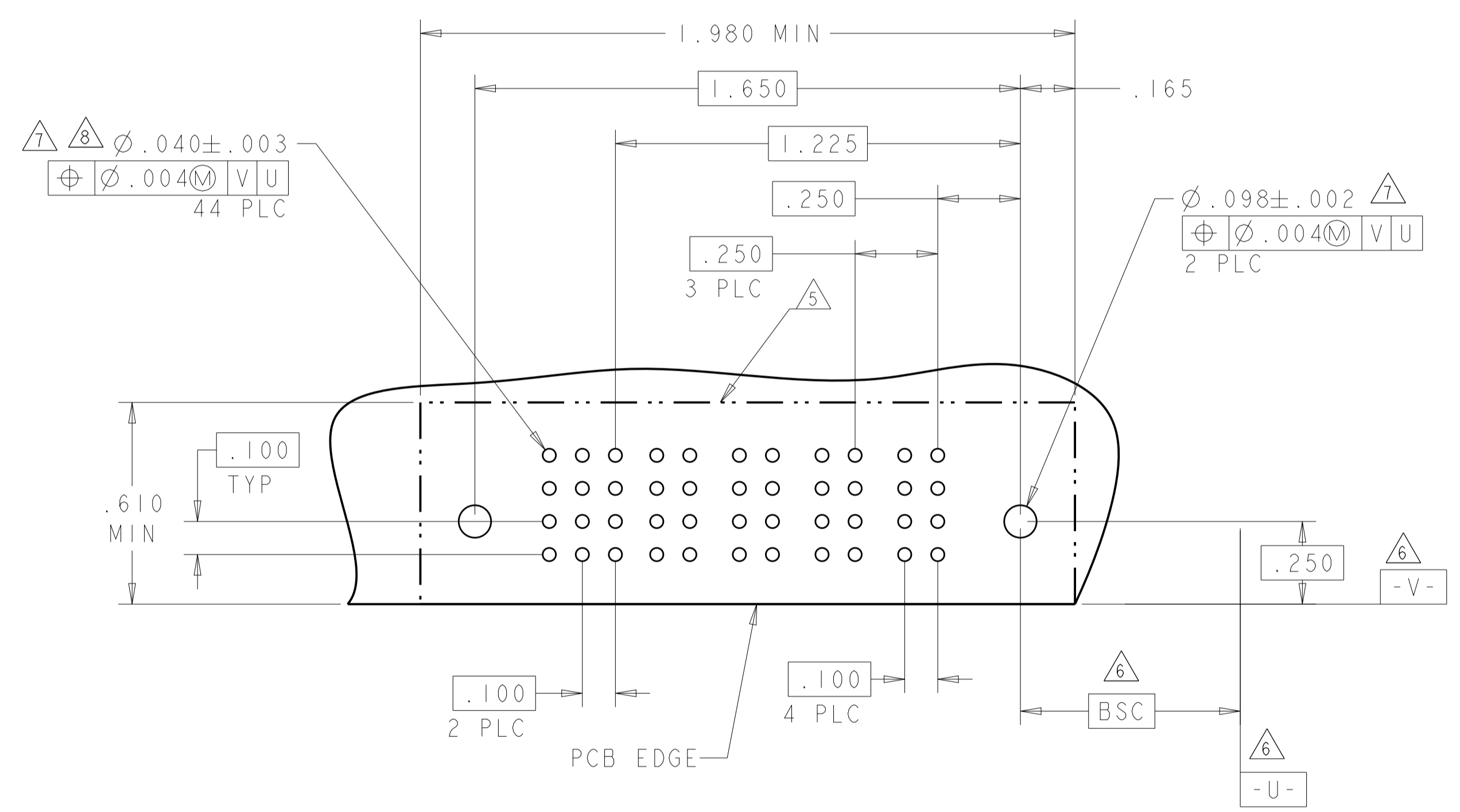
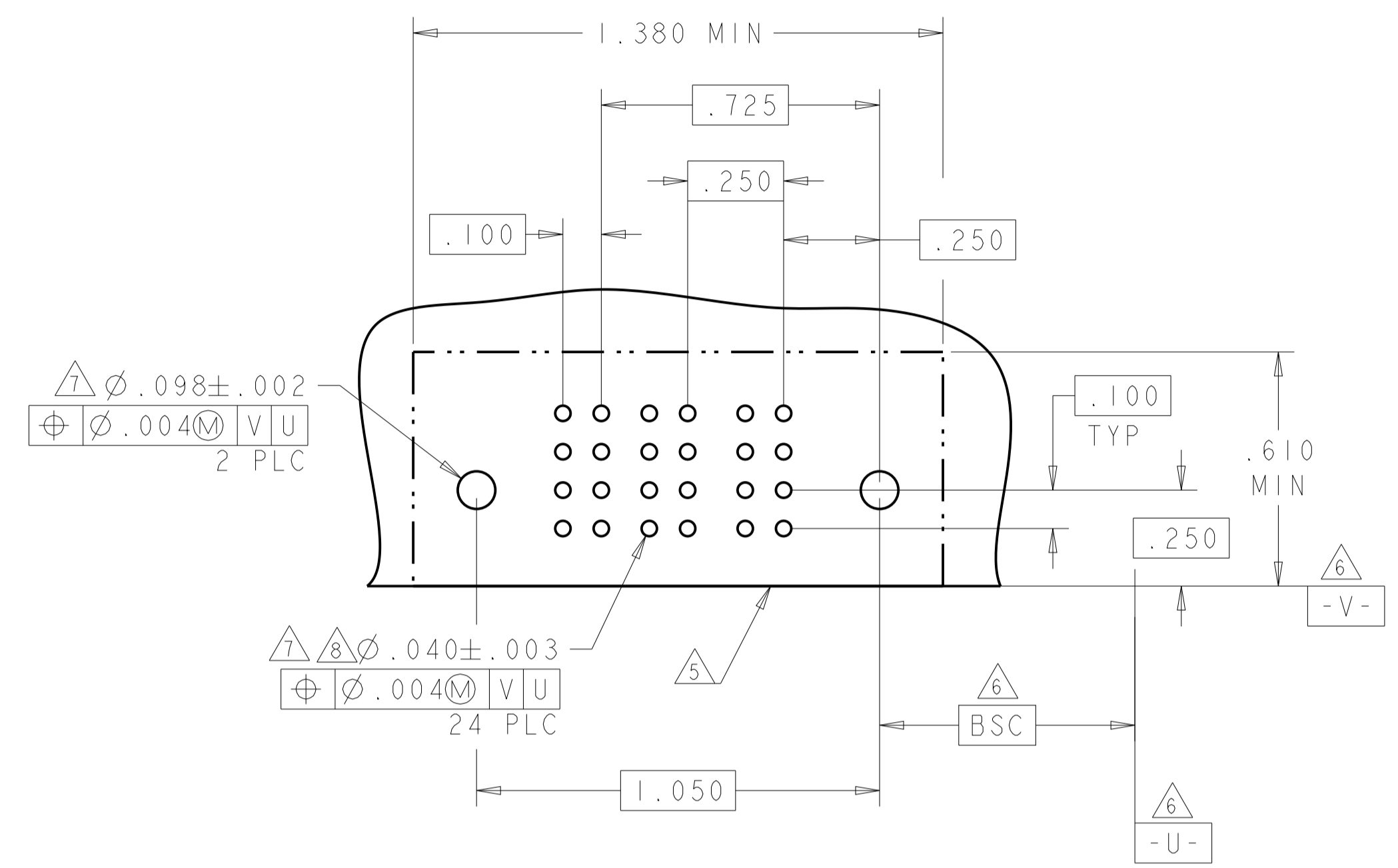
Customer Drawing

SCALE: 4:1 SHEET 3 OF 5 REV: E9

| LOC | DIST | REVISIONS | | | |
|-----|------|-----------|-------------|----|------|
| ES | 00 | REV | DATE | BY | APPV |
| | | 1 | SEE SHEET 1 | | |

| PART NUMBER | ROWS | SIGNAL | | POWER | |
|-------------|------------------|--------|---|-------|----|
| | | 2 | 1 | P1 | P2 |
| 1-6450162-1 | D C B A | H | H | RM | RM |
| | | G | G | | |
| | | F | F | | |
| | | E | E | | |
| 2P + 8S | | HD | | | HD |

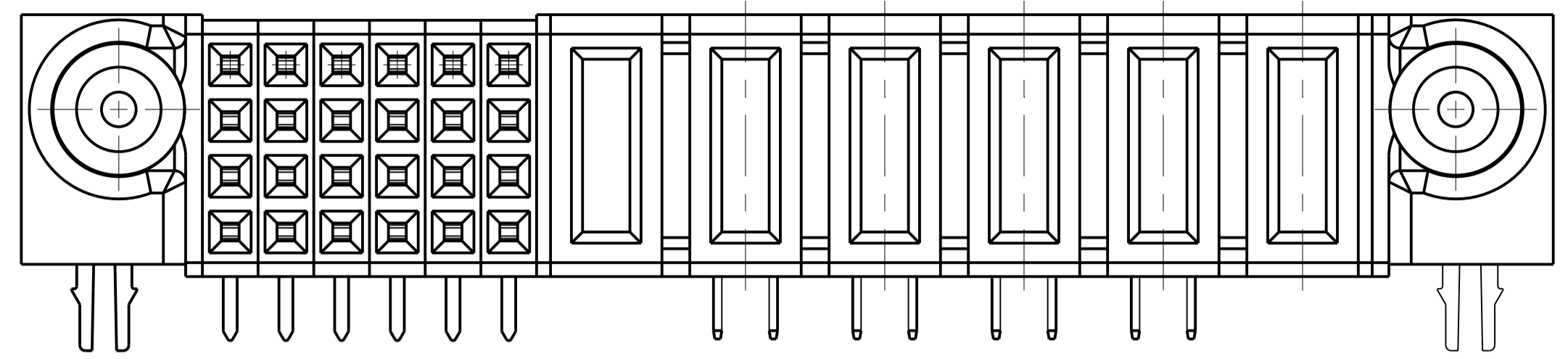
| PART NUMBER | ROWS | SIGNAL | | | POWER | | | |
|-------------|------------------|--------|---|---|-------|----|----|----|
| | | 3 | 2 | 1 | P4 | P3 | P2 | P1 |
| 1-6450162-2 | D C B A | H | H | H | RM | RM | RM | RM |
| | | G | G | G | | | | |
| | | F | F | F | | | | |
| | | E | E | E | | | | |
| 4P + 12S | | HD | | | | | | HD |



| | | | |
|--|---------------|------------------------------|---|
| THIS DRAWING IS A CONTROLLED DOCUMENT. | | OWN: R. GRZYBOWSKI / ZIFEB05 | TE Connectivity |
| DIMENSIONS: INCHES | | CHK: M. PERCHERKE / ZIFEB05 | |
| TOLERANCES UNLESS OTHERWISE SPECIFIED: | | APVD: M. PERCHERKE | NAME: RIGHT ANGLE RECEPTACLE ASSEMBLY WITH GUIDES MULTI-BEAM XL |
| 0 PLC ± .01 | 1 PLC ± .01 | PRODUCT SPEC: 108-1973 | SIZE: 114-13038 |
| 2 PLC ± .01 | 3 PLC ± .005 | APPLICATION SPEC: 114-13038 | RESTRICTED TO: A100779C=6450162 |
| 4 PLC ± .002 | ANGLES ± .020 | WEIGHT: - | SCALE: 4:1 SHEET 4 OF 5 REV: E9 |
| MATERIAL: - | FINISH: - | Customer Drawing | |

| LOC | | DIST | | REVISONS | | | |
|-----|----|------|----|-------------|------|----|--------|
| ES | 00 | DATE | BY | DESCRIPTION | DATE | BY | APPROV |
| | | | | SEE SHEET 1 | | | |

| PART NUMBER | ROWS | SIGNAL | | | | | | POWER | | | |
|-------------|------------------|--------|---|---|---|---|---|-------|----|----|----|
| | | 6 | 5 | 4 | 3 | 2 | 1 | P4 | P3 | P2 | P1 |
| I-6450162-4 | D C B A | H | H | H | H | H | H | RM | RM | RM | RM |
| | | G | G | G | G | G | G | | | | |
| | | F | F | F | F | F | F | | | | |
| | | E | E | E | E | E | E | | | | |
| 4P + 24S | | | | | | | | | | | |

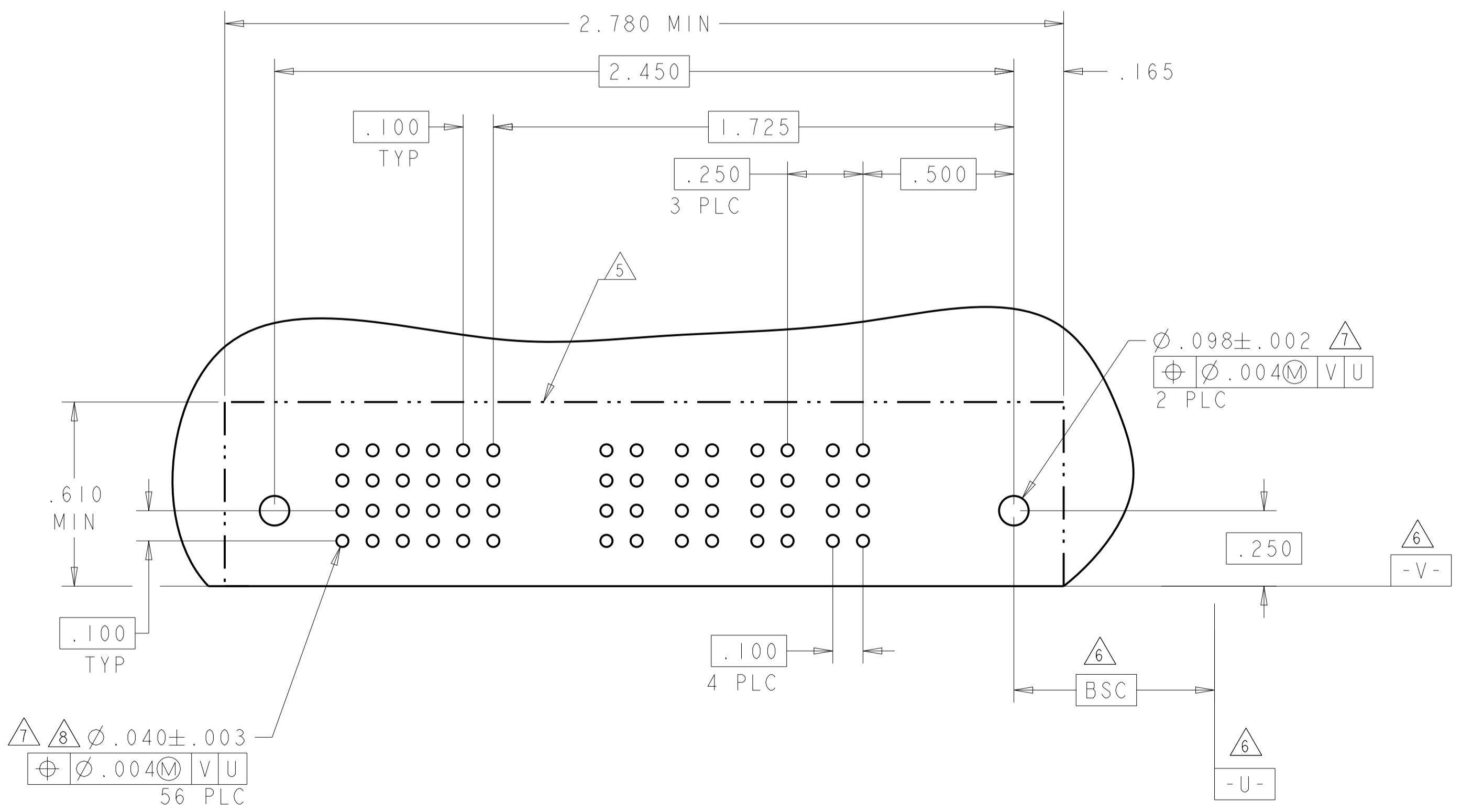
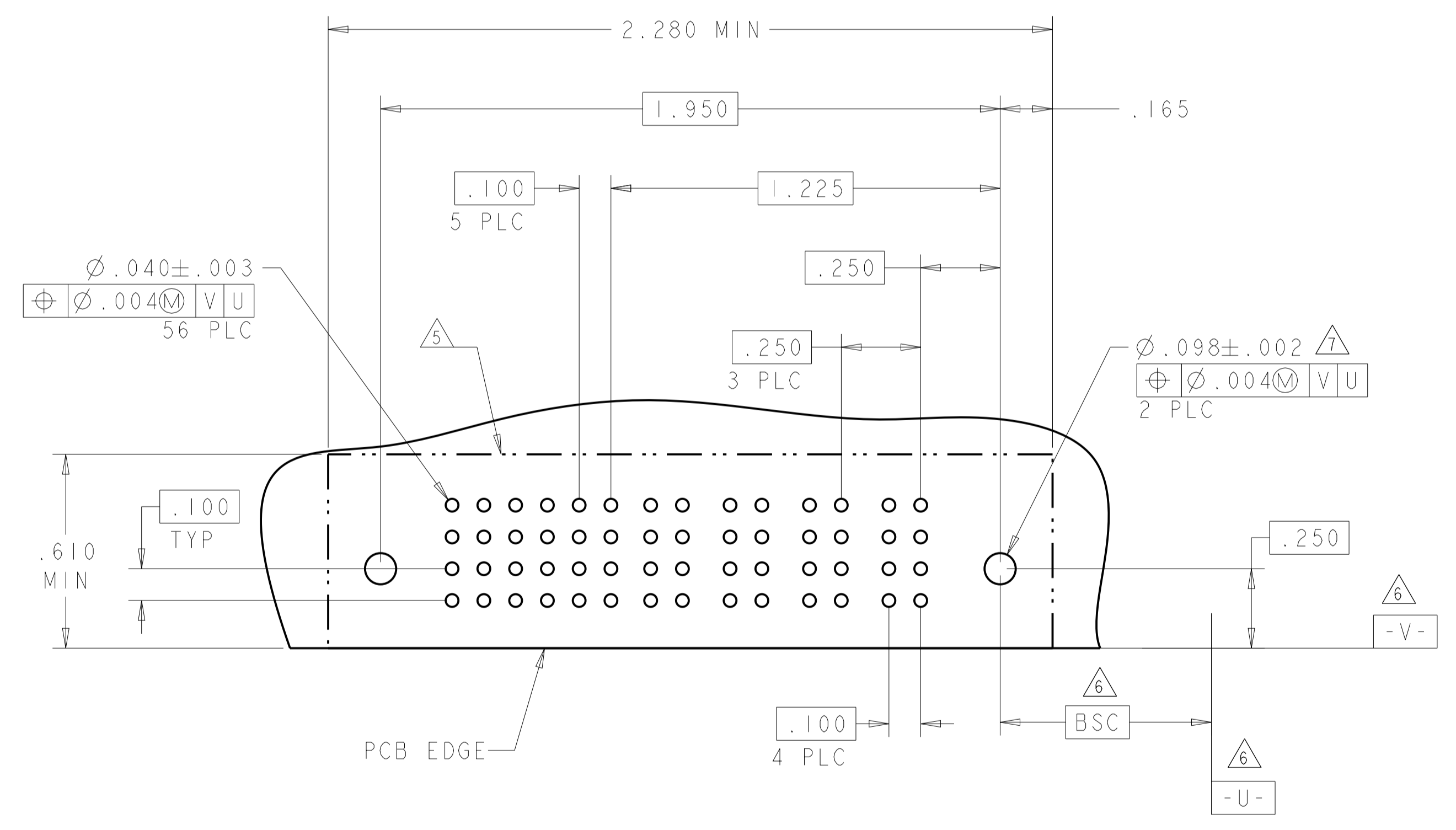


| PART NUMBER | ROWS | SIGNAL | | | | | | POWER | | | | | |
|-------------|------------------|--------|---|---|---|---|---|-------|----|----|----|----|----|
| | | 6 | 5 | 4 | 3 | 2 | 1 | P6 | P5 | P4 | P3 | P2 | P1 |
| I-6450162-5 | D C B A | H | H | H | H | H | H | RM | RM | RM | RM | RM | RM |
| | | G | G | G | G | G | G | | | | | | |
| | | F | F | F | F | F | F | | | | | | |
| | | E | E | E | E | E | E | | | | | | |
| 6P + 24S | | | | | | | | | | | | | |

NO CONTACTS LOADED

| PART NUMBER | ROWS | SIGNAL | | | | | | POWER | | | | | |
|-------------|------------------|--------|---|---|---|---|---|-------|----|----|----|----|----|
| | | 6 | 5 | 4 | 3 | 2 | 1 | P6 | P5 | P4 | P3 | P2 | P1 |
| I-6450162-6 | D C B A | L | L | L | L | L | L | RN | RN | RN | RN | RN | RN |
| | | K | K | K | K | K | K | | | | | | |
| | | J | J | J | J | J | J | | | | | | |
| | | I | I | I | I | I | I | | | | | | |
| 6P + 24S | | | | | | | | | | | | | |

NO CONTACTS LOADED



| | | | |
|--|--|----------------------------|--|
| THIS DRAWING IS A CONTROLLED DOCUMENT. | | OWN: R. GRZYBOWSKI 21FEB05 | TE Connectivity |
| DIMENSIONS: INCHES | | CHK: M. PERCHERKE | |
| TOLERANCES UNLESS OTHERWISE SPECIFIED: | | APVD: M. PERCHERKE | NAME: RIGHT ANGLE RECEPTACLE ASSEMBLY WITH GUIDES MULTI-BEAM XL PRODUCT SPEC: 108-1973 APPLICATION SPEC: SIZE: 114-13038 WEIGHT: Customer Drawing |
| 0 PLC ±.01 | | PRODUCT SPEC | |
| 1 PLC ±.01 | | APPLICATION SPEC | |
| 2 PLC ±.01 | | SIZE: 114-13038 | |
| 3 PLC ±.01 | | WEIGHT: | RESTRICTED TO |
| 4 PLC ±.005 | | SCALE: 4:1 | SHEET 5 OF 5 |
| 5 PLC ±.002 | | REV: E | |
| ANGLES ±.020 | | | |
| FINISH: 56 PLC | | | |

单击下面可查看定价，库存，交付和生命周期等信息

[>>TE Connectivity\(泰科\)](#)