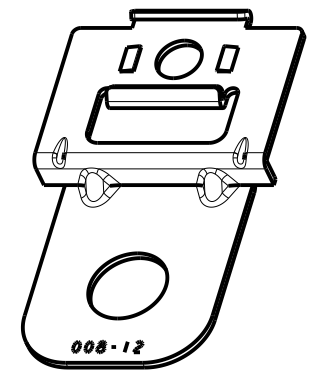
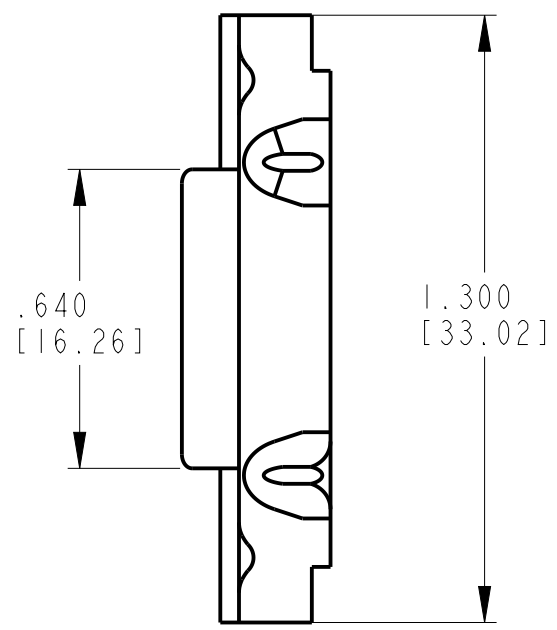
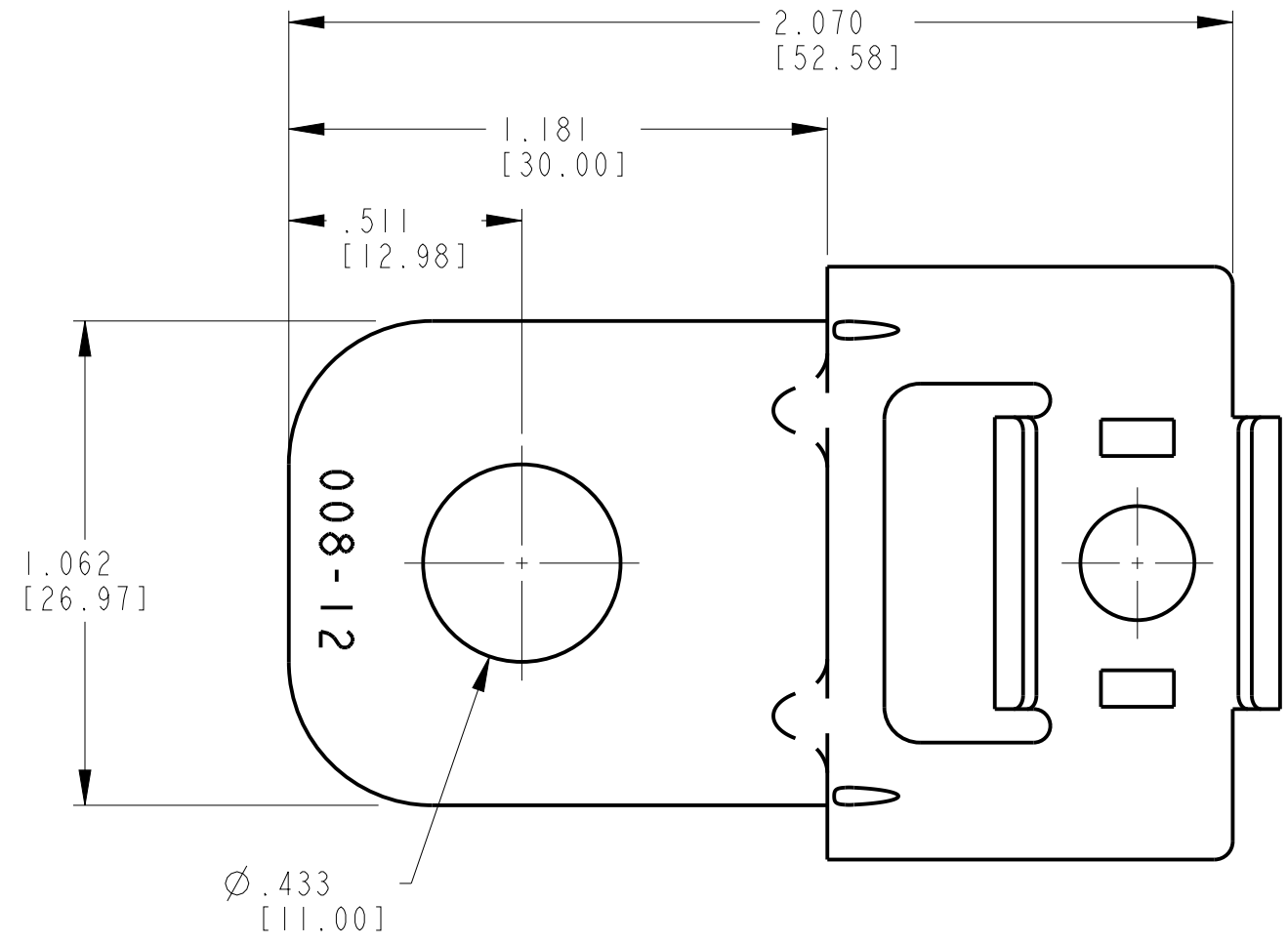
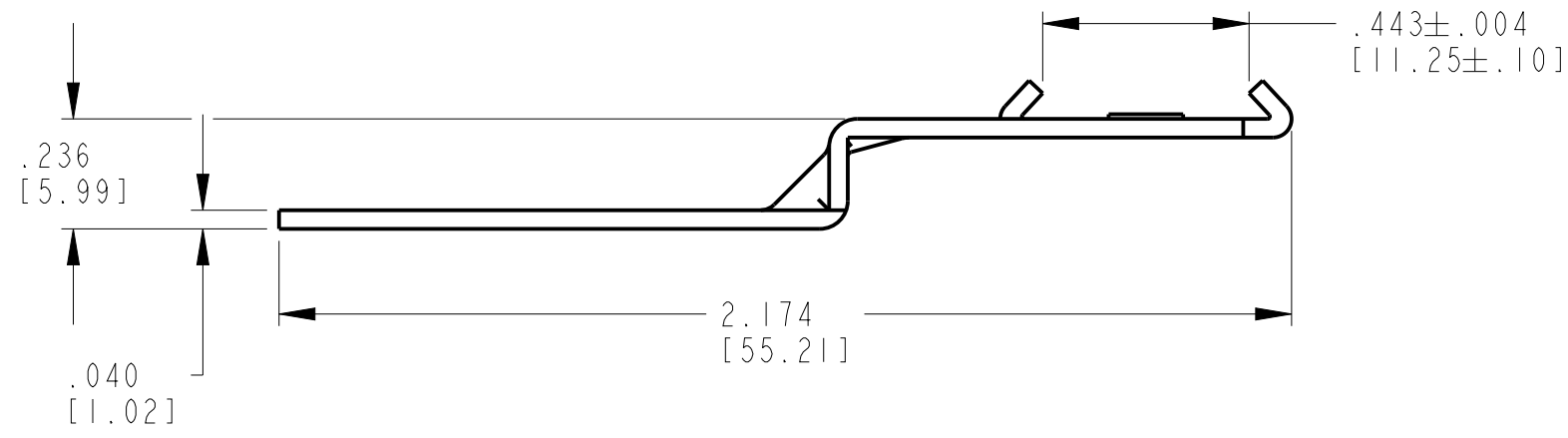


THIS DRAWING IS UNPUBLISHED
 RELEASED FOR PUBLICATION 2015
 © COPYRIGHT 2015 BY TE CONNECTIVITY ALL RIGHTS RESERVED.

LOC	DIST	REVISIONS			
P	LTR	DESCRIPTION	DATE	DWN	APVD
	A	NEW RELEASE	23DEC2015	DH	DM
	AI	REVISED PER PCN E-21-001566	11FEB2021	MK	IG



3D VIEW



3. PART IS IN ACCORDANCE WITH RoHS STANDARDS.
2. CLIP RETENTION FORCE SHALL BE 20 LBF [89] MINIMUM.
1. THIS PART MATES WITH DT, DTM, DTP, DTHD, DTCE RECEPTACLES OR OTHER PARTS WITH THE CLIP RETENTION FEATURE.

NOTES: UNLESS OTHERWISE SPECIFIED

THIS DRAWING IS A CONTROLLED DOCUMENT.		DWN D. HASIBUAN 12NOV2015														
DIMENSIONS: INCHES [mm]		CHK D. MEYER 23DEC2015														
TOLERANCES UNLESS OTHERWISE SPECIFIED:		APVD D. MEYER 23DEC2015	NAME METAL CLIP, 1MM HOLE SIDE MOUNTING BRACKET													
<table border="0"> <tr><td>0 PLC</td><td>±</td></tr> <tr><td>1 PLC</td><td>±</td></tr> <tr><td>2 PLC</td><td>±</td></tr> <tr><td>3 PLC</td><td>±.025 [0.64]</td></tr> <tr><td>4 PLC</td><td>±</td></tr> <tr><td>ANGLES</td><td>±0°30'0"</td></tr> </table>		0 PLC	±	1 PLC	±	2 PLC	±	3 PLC	±.025 [0.64]	4 PLC	±	ANGLES	±0°30'0"	PRODUCT SPEC -	RESTRICTED TO -	
0 PLC	±															
1 PLC	±															
2 PLC	±															
3 PLC	±.025 [0.64]															
4 PLC	±															
ANGLES	±0°30'0"															
MATERIAL STEEL		FINISH ZINC	APPLICATION SPEC 114-151009	SIZE A3												
		WEIGHT 12.1g	CAGE CODE 4AFU8	DRAWING NO 1027-008-1200												
		CUSTOMER DRAWING	SCALE NONE	SHEET 1 OF 1												
			REV AI													

单击下面可查看定价，库存，交付和生命周期等信息

[>>TE Connectivity\(泰科\)](#)