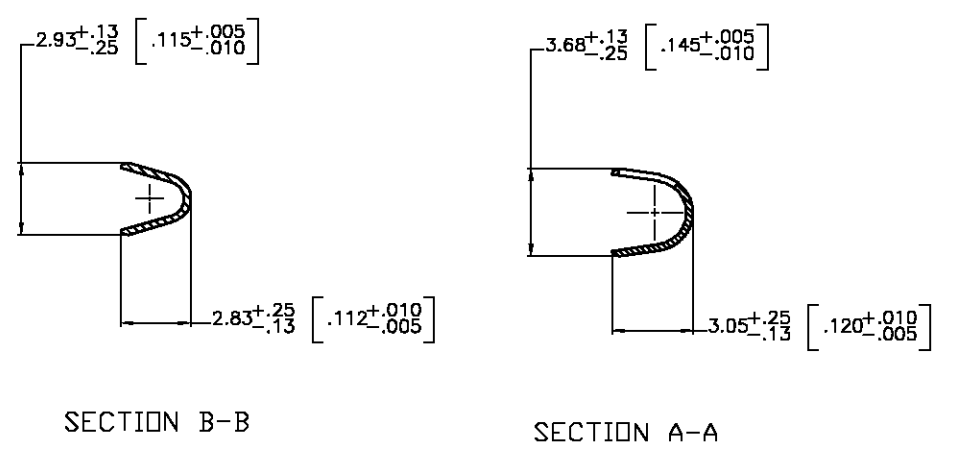
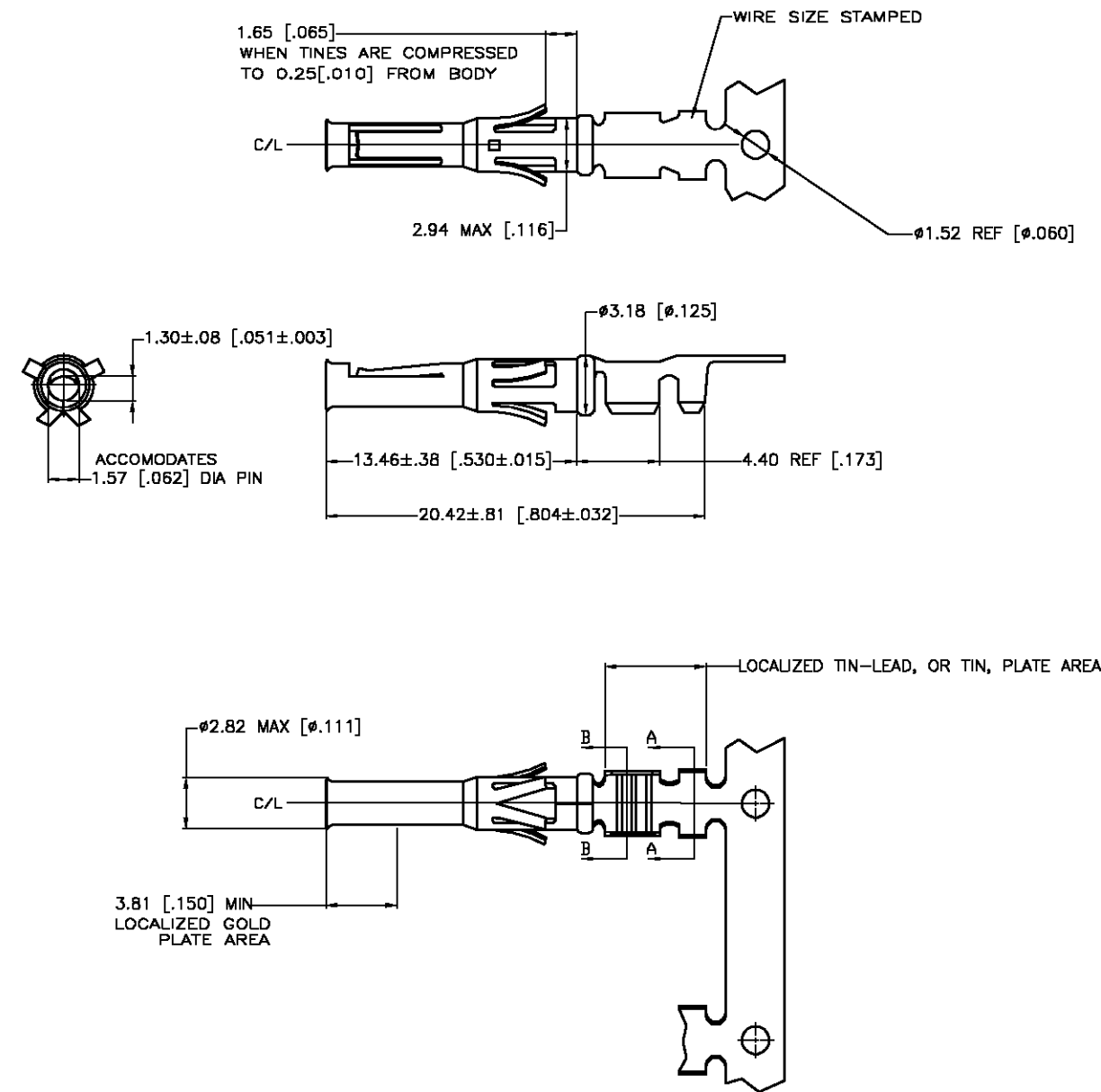


THIS DRAWING IS UNPUBLISHED. RELEASED FOR PUBLICATION
 © COPYRIGHT BY TYCO ELECTRONICS CORPORATION. ALL RIGHTS RESERVED.

LOC	DIST	REVISIONS			
P	LTR	DESCRIPTION	DATE	DWN	APVD
FT	10	B	REV PER EC 0G3B-0317-03	24APR03	VF GS



1. WIRE RANGE 18-16 AWG.
 2. INSULATION RANGE 2.54-2.03[100-.080] DIA.
 3. FOR LOOSE PIECE PART SEE DWG 66590.
- △ 0.76µm [.000030] MIN GOLD IN LOCALIZED GOLD PLATE AREA, 1.27µm [.000050] MIN TIN-LEAD IN LOCALIZED TIN-LEAD PLATE AREA, BOTH OVER 1.27µm [.000050] MIN NICKEL.
 - △ TIN PLATED.
 - △ GOLD PLATING PER MIL-G-45204, TIN PER MIL-T-10727 AND NICKEL PER QQ-N-290.
 - △ 0.76µm [.000030] MIN GOLD IN LOCALIZED GOLD PLATE AREA, 1.27µm [.000050] MIN TIN IN LOCALIZED TIN PLATE AREA, BOTH OVER 1.27µm [.000050] MIN NICKEL.

DESCRIPTION	FINISH	
REVERSE REELED FOR MINI-APPLICATOR	△	66580-7
REVERSE REELED FOR MINI-APPLICATOR	△4	66580-4
REVERSE REELED FOR MINI-APPLICATOR	△4	66580-3
REVERSE REELED FOR MINI-APPLICATOR	△5	66580-2
REVERSE REELED FOR MINI-APPLICATOR	△5	66580-1

THIS DRAWING IS A CONTROLLED DOCUMENT.

DIMENSIONS: MM [INCHES]	TOLERANCES UNLESS OTHERWISE SPECIFIED: 0 PLC ± - 1 PLC ± - 2 PLC ± 0.13 [.005] 3 PLC ± - 4 PLC ± - ANGLES ± -	DWN V. FURLER 14MAY2003 CHK G. STEINHAUER 16MAY03 APVD G. STEINHAUER 16MAY03	Tyco Electronics Corporation Harrisburg, PA 17105	
MATERIAL BRASS MIL-C-50	FINISH SEE TABLE △	PRODUCT SPEC APPLICATION SPEC WEIGHT -	NAME CONTACT, SOCKET, STRIP, TYPE VI, MULTIMATE	
CUSTOMER DRAWING		SIZE A3	CAGE CODE 00779	DRAWING NO C-66580
		SCALE 8:5	SHEET 1 OF 1	REV B

单击下面可查看定价，库存，交付和生命周期等信息

[>>TE Connectivity\(泰科\)](#)