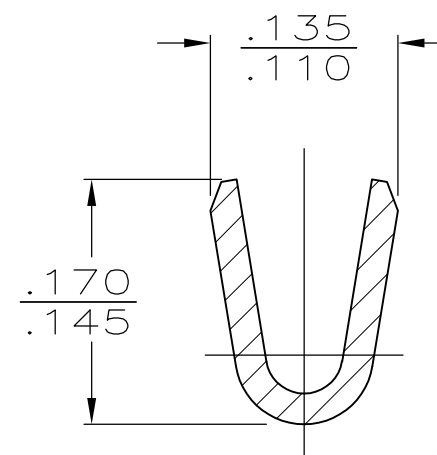
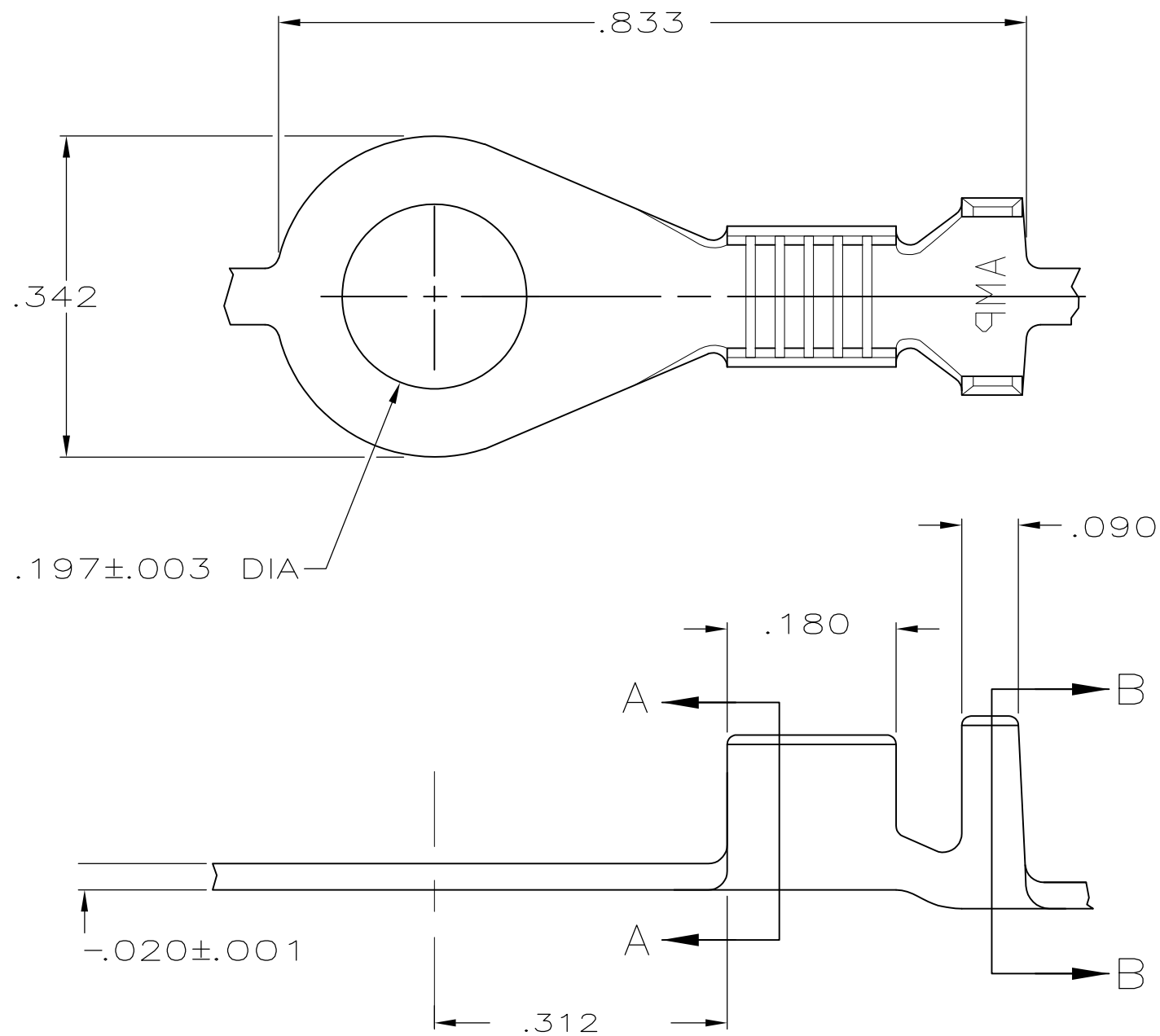
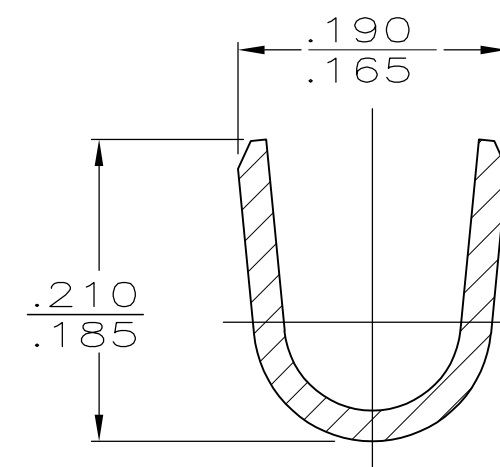


THIS DRAWING IS UNPUBLISHED. RELEASED FOR PUBLICATION
 © COPYRIGHT By TYCO ELECTRONICS CORPORATION. ALL RIGHTS RESERVED.

LOC	DIST	REVISIONS			
P	LTR	DESCRIPTION	DATE	DWN	APVD
AF	50	L	REVISE PER ECR-13-013738	15FEB2014	GRZ JL

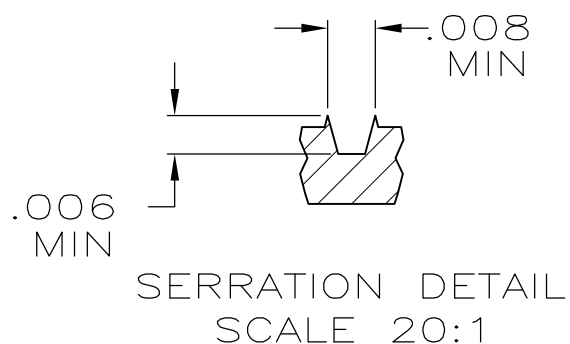


SECTION A-A
SCALE 8:1



SECTION B-B
SCALE 8:1

OBSOLETE	TIN PL	.100-.140	18-14	60318-2
	FINISH	.100-.140	MAGNET WIRE SIZE	60318-1
		INSULATION RANGE	PART NUMBER	



THIS DRAWING IS A CONTROLLED DOCUMENT.	
DIMENSIONS: INCHES	TOLERANCES UNLESS OTHERWISE SPECIFIED:
	0 PLC ± -
	1 PLC ± -
	2 PLC ± -
	3 PLC ± .015
	4 PLC ANGLES ± -
MATERIAL BRASS	FINISH SEE TABLE

DWN P FORTNEY 12/24/87	TE Connectivity RING,AMPLIVAR				
CHK G YETTER 1/6/88					
APVD RP FRANTZ 1/7/88					
PRODUCT SPEC TL SHUTTER 1/12/88					
APPLICATION SPEC	NAME	SIZE	CAGE CODE	DRAWING NO	RESTRICTED TO
—	—	A3	00779	C-60318	—
WEIGHT —	CUSTOMER DRAWING	SCALE 6:1	SHEET 1 OF 1	REV L	

单击下面可查看定价，库存，交付和生命周期等信息

[>>TE Connectivity\(泰科\)](#)