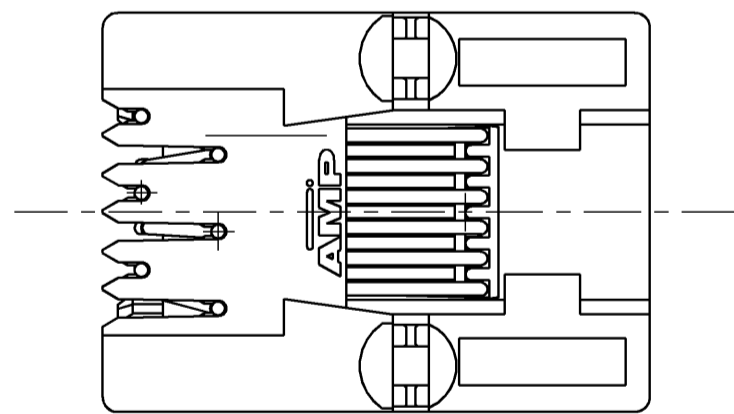
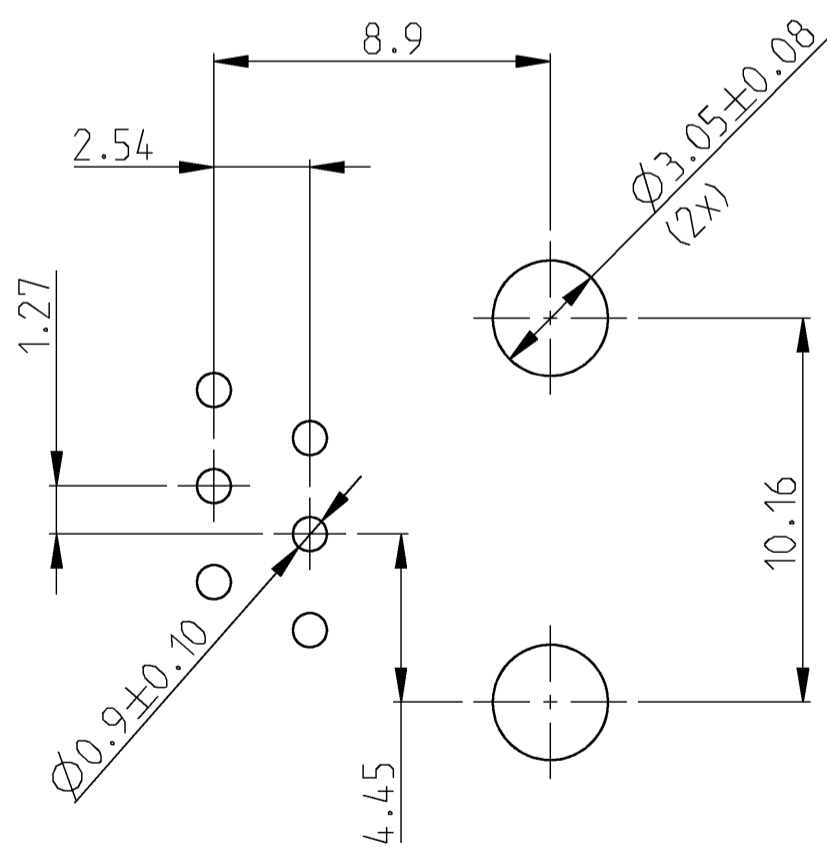
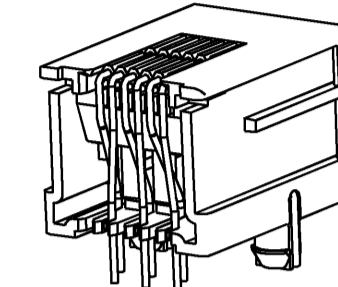
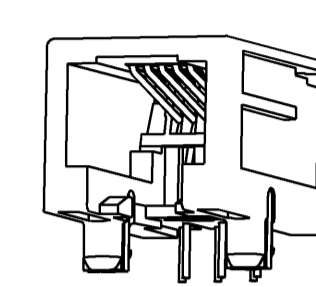
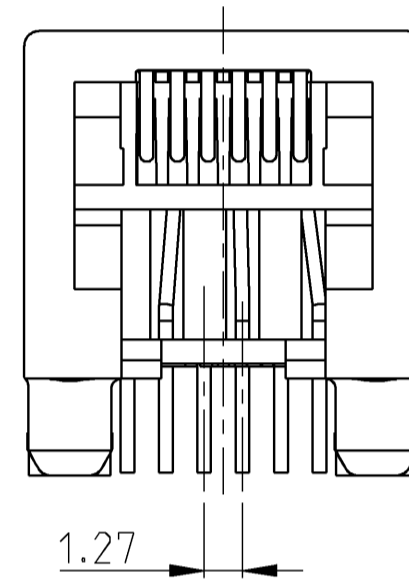
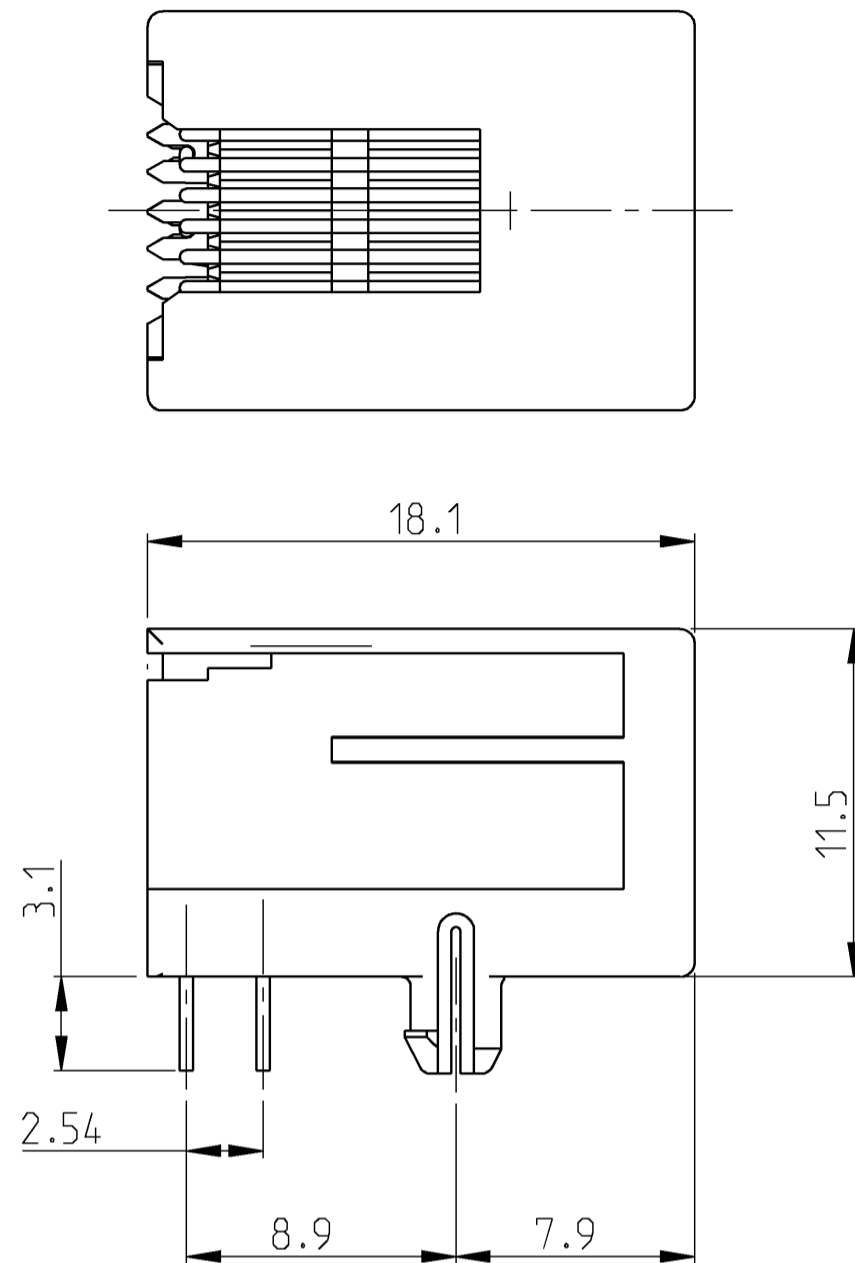
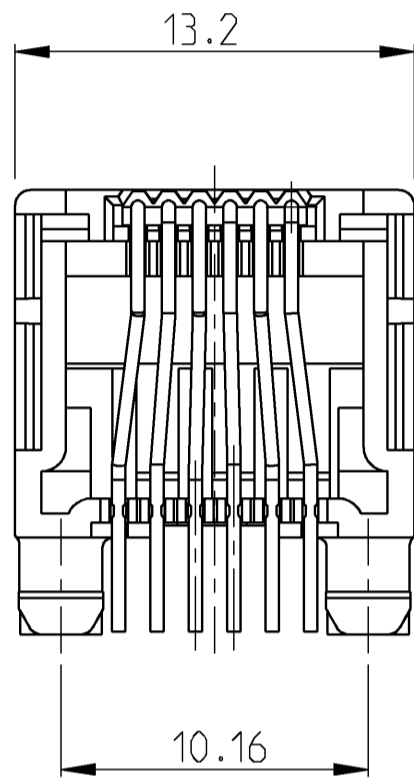


THIS DRAWING IS UNPUBLISHED. RELEASED FOR PUBLICATION
 © COPYRIGHT - BY TYCO ELECTRONICS CORPORATION. ALL RIGHTS RESERVED.

| LOC | DIST | REVISIONS | | | |
|-----|------|-------------|------|-----|------|
| P | LTR | DESCRIPTION | DATE | DWN | APVD |
| - | - | FIRST ISSUE | | | |



- FOR APPLICATION INFORMATION SEE AMP SPEC. 114-19019.
- FOR PERFORMANCE REQUIREMENTS SEE AMP SPEC. 108-19064.
- TOLERANCES UNLESS OTHERWISE SPECIFIED: ± 0,15mm.
- △ FOR THIS PACKAGING METHOD THE TRUE POSITION OF THE SOLDER TAILS IS NOT GUARANTEED

| REMARKS | FINISH | MATERIAL | P/N |
|--------------------------------|---|---------------------------------------|-----------|
| BULK PACKING 1000 PCS △ | IN CONTACT AREA: 1.2 μ MIN. NICKEL 0.15 μ MIN. SEL GOLD | HOUSING COLOR BLACK PBT, UL 94 V-0 | 1982194-2 |
| TAPE MOUNTED 800 PCS / REEL | SOLDER TINES: 2.5 μ MIN. TIN OVER 1.2 μ MIN. NICKEL | CONTACT INSERT: PBT, UL 94 V-0 | 1982194-1 |
| 6 POS/ 6 CONTACTS | | CONTACTS: Ph-BRONZE | |

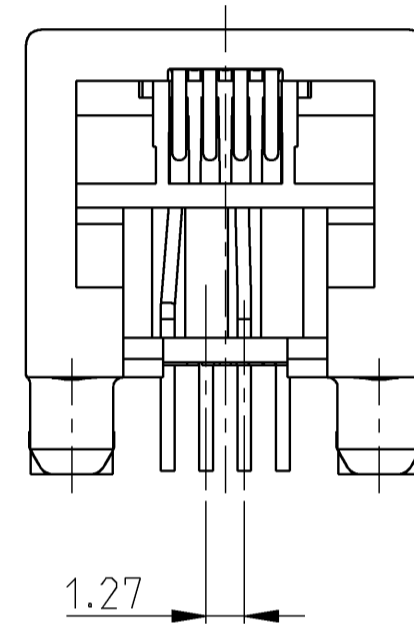
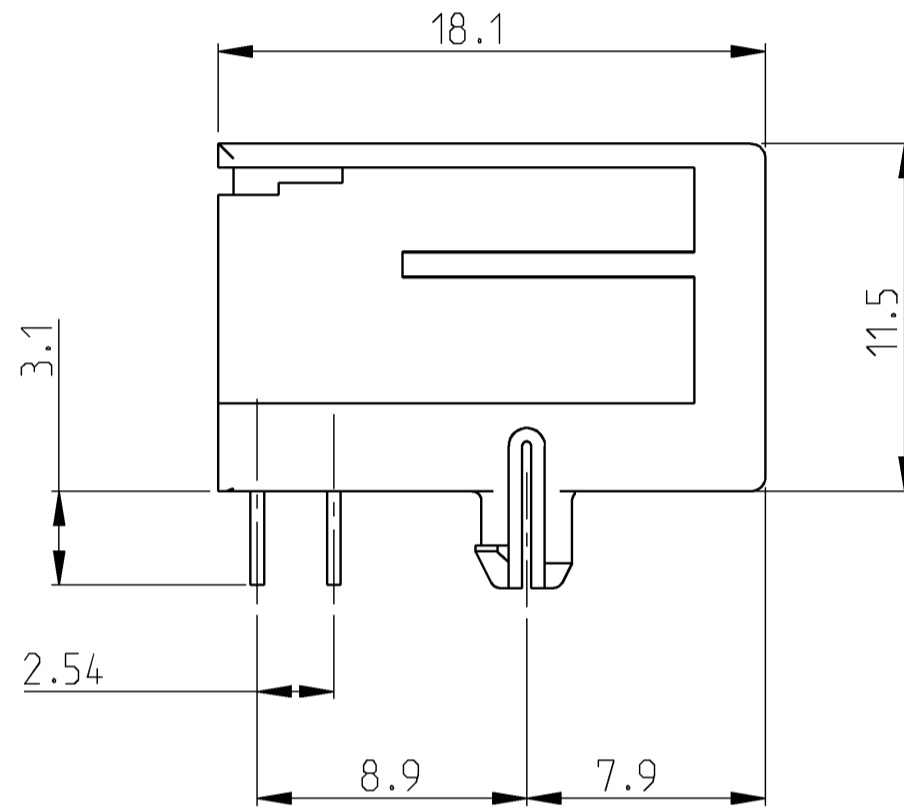
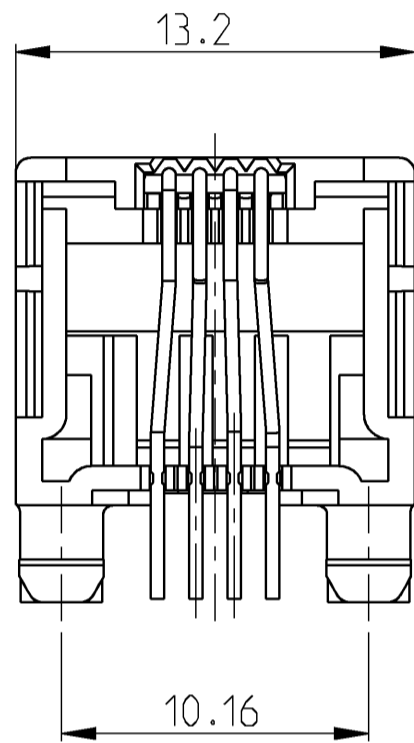
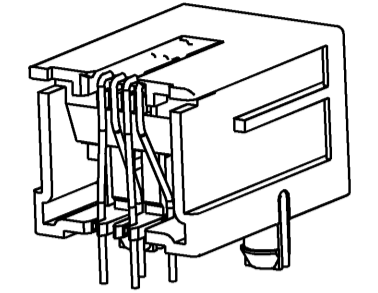
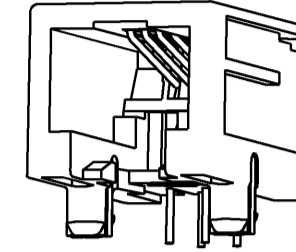
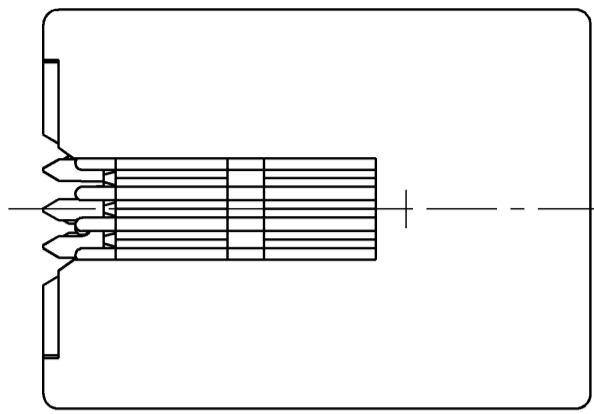
PRINTED CIRCUIT BOARD LAYOUT (6 POS/6 CONTACTS)

[VIEW SHOWN IS CIRCUIT (NON-COMPONENT) SIDE OF BOARD]
 PRINTED CIRCUIT BOARD THICKNESS: 1,6mm NOMINAL.
 TOLERANCES UNLESS OTHERWISE SPECIFIED: ± 0,05

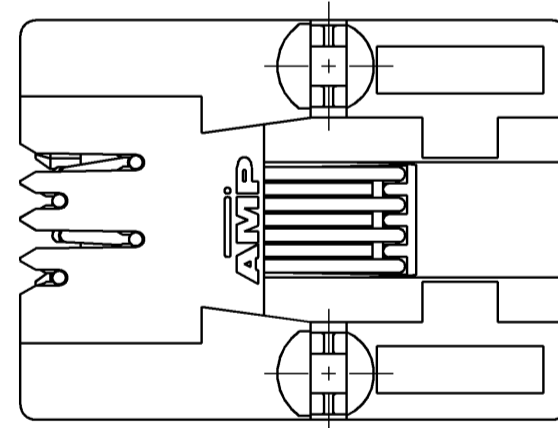
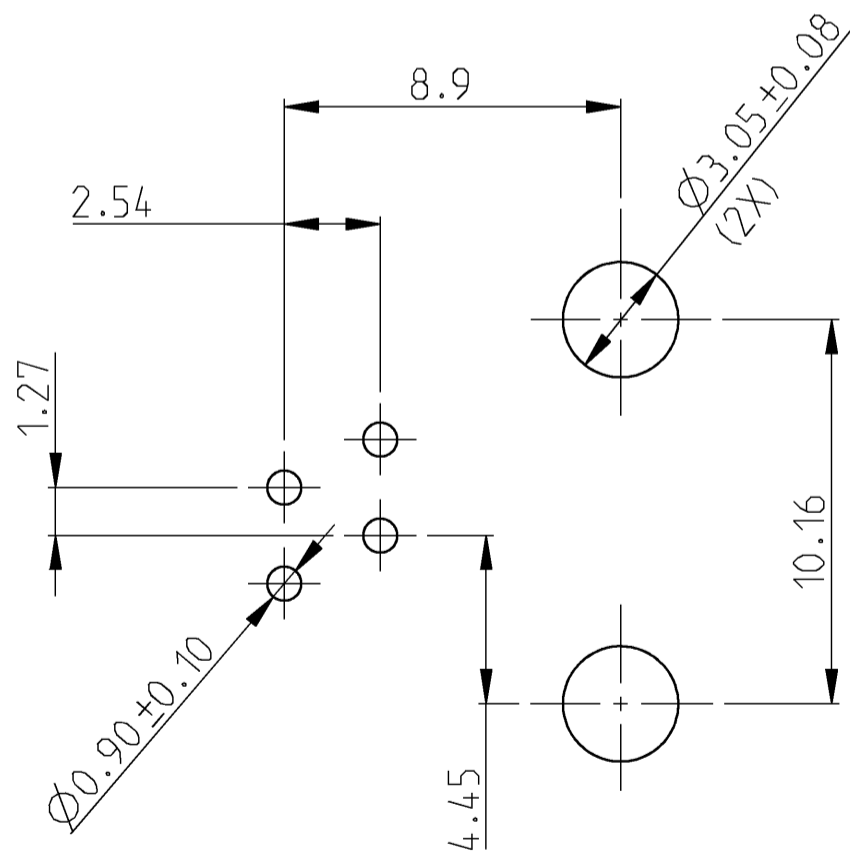
| | | | | |
|--|--|-------------------------------|--|--------------------|
| THIS DRAWING IS A CONTROLLED DOCUMENT FOR TYCO ELECTRONICS CORPORATION IT IS SUBJECT TO CHANGE AND THE CONTROLLING ENGINEERING ORGANIZATION SHOULD BE CONTACTED FOR THE LATEST REVISION. | | DWN Shrivathsa 29-NOV-06 | Tyco Electronics Nederland BV | |
| | | CHK Premjith 30-Nov-06 | 's-Hertogenbosch, The Netherlands | |
| DIMENSIONS: mm | | APVD Dolf C | NAME MODULAR JACK, SIDE ENTRY, 6/6 FOR PRINTED CIRCUIT BOARD | |
| TOLERANCES UNLESS OTHERWISE SPECIFIED: 0 PLC ± 1 PLC ± 2 PLC ± 3 PLC ± 4 PLC ± ANGLES ± FINISH - | | PRODUCT SPEC 108-19064 | RESTRICTED TO | |
| MATERIAL - | | APPLICATION SPEC 114-19019 | SIZE A2 | CAGE CODE 00779 |
| | | WEIGHT - | DRAWING NO 1982194 | REV A |
| | | CUSTOMER DRAWING | SCALE 4:1 | SHEET 1 OF 2 |

THIS DRAWING IS UNPUBLISHED. RELEASED FOR PUBLICATION
 © COPYRIGHT - BY TYCO ELECTRONICS CORPORATION. ALL RIGHTS RESERVED.

| LOC | | DIST | | REVISIONS | | | |
|-----|-----|-------------|------|-----------|------|--|--|
| P | LTR | DESCRIPTION | DATE | DWN | APVD | | |
| - | - | SEE SHEET 1 | | | | | |



- FOR APPLICATION INFORMATION SEE AMP SPEC. 114-19019.
- FOR PERFORMANCE REQUIREMENTS SEE AMP SPEC. 108-19064.
- TOLERANCES UNLESS OTHERWISE SPECIFIED: $\pm 0,15\text{mm}$.
- FOR THIS PACKAGING METHOD THE TRUE POSITION OF THE SOLDER TAILS IS NOT GUARANTEED



| PACKAGING | REMARKS | FINISH | MATERIAL | P/N |
|--------------------------------|-------------------|---|---|-------------|
| BULK PACKAGING 1000 PCS | 6 POS/ 4 CONTACTS | IN CONTACT AREA: 1.2 μ MIN. NICKEL 0.15 μ MIN. SEL GOLD | HOUSING COLOR BLACK PBT, UL 94 V-0 | 1-1982194-2 |
| TAPE MOUNTED 800 PCS / REEL | | SOLDER TINES: 2.5 μ MIN. TIN OVER 1.2 μ MIN. NICKEL | CONTACT INSERT: PBT, UL 94 V-0 CONTACTS: Ph-BRONZE | 1-1982194-1 |

PRINTED CIRCUIT BOARD LAYOUT (6 POS/4 CONTACTS)

[VIEW SHOWN IS CIRCUIT (NON-COMPONENT) SIDE OF BOARD]
 PRINTED CIRCUIT BOARD THICKNESS: 1,6mm NOMINAL.
 TOLERANCES UNLESS OTHERWISE SPECIFIED: $\pm 0,05$

| | | | | |
|---|--|---|---|--|
| <small>THIS DRAWING IS A CONTROLLED DOCUMENT FOR TYCO ELECTRONICS CORPORATION IT IS SUBJECT TO CHANGE AND THE CONTROLLING ENGINEERING ORGANIZATION SHOULD BE CONTACTED FOR THE LATEST REVISION.</small> | | DWN Shrivathsa 29-NOV-06 CHK Premjith 30-Nov-06 APVD Dolf C PRODUCT SPEC 108-19064 APPLICATION SPEC 114-19019 WEIGHT - CUSTOMER DRAWING | tyco Electronics Tyco Electronics Nederland BV 's-Hertogenbosch, The Netherlands | NAME MODULAR JACK, SIDE ENTRY, 6/4 FOR PRINTED CIRCUIT BOARD SIZE A2 CAGE CODE 00779 DRAWING NO. 1982194 RESTRICTED TO - SCALE 4:1 SHEET 2 OF 2 REV A |
|---|--|---|---|--|

单击下面可查看定价，库存，交付和生命周期等信息

[>>TE Connectivity\(泰科\)](#)